

Specialised System Components for Concrete Production Plants

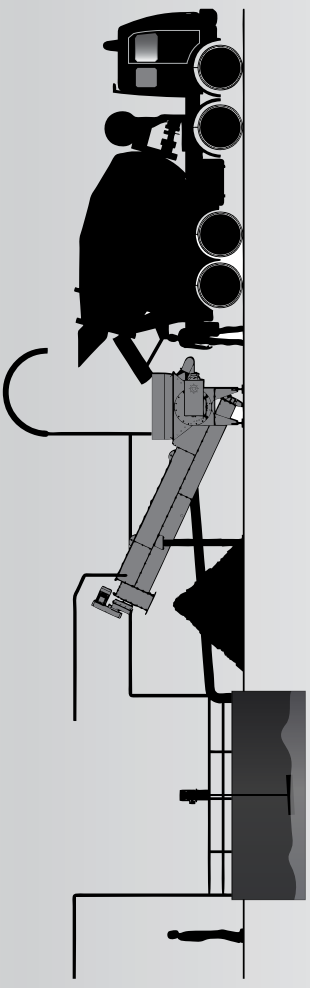


Concrete Production

Concrete Production



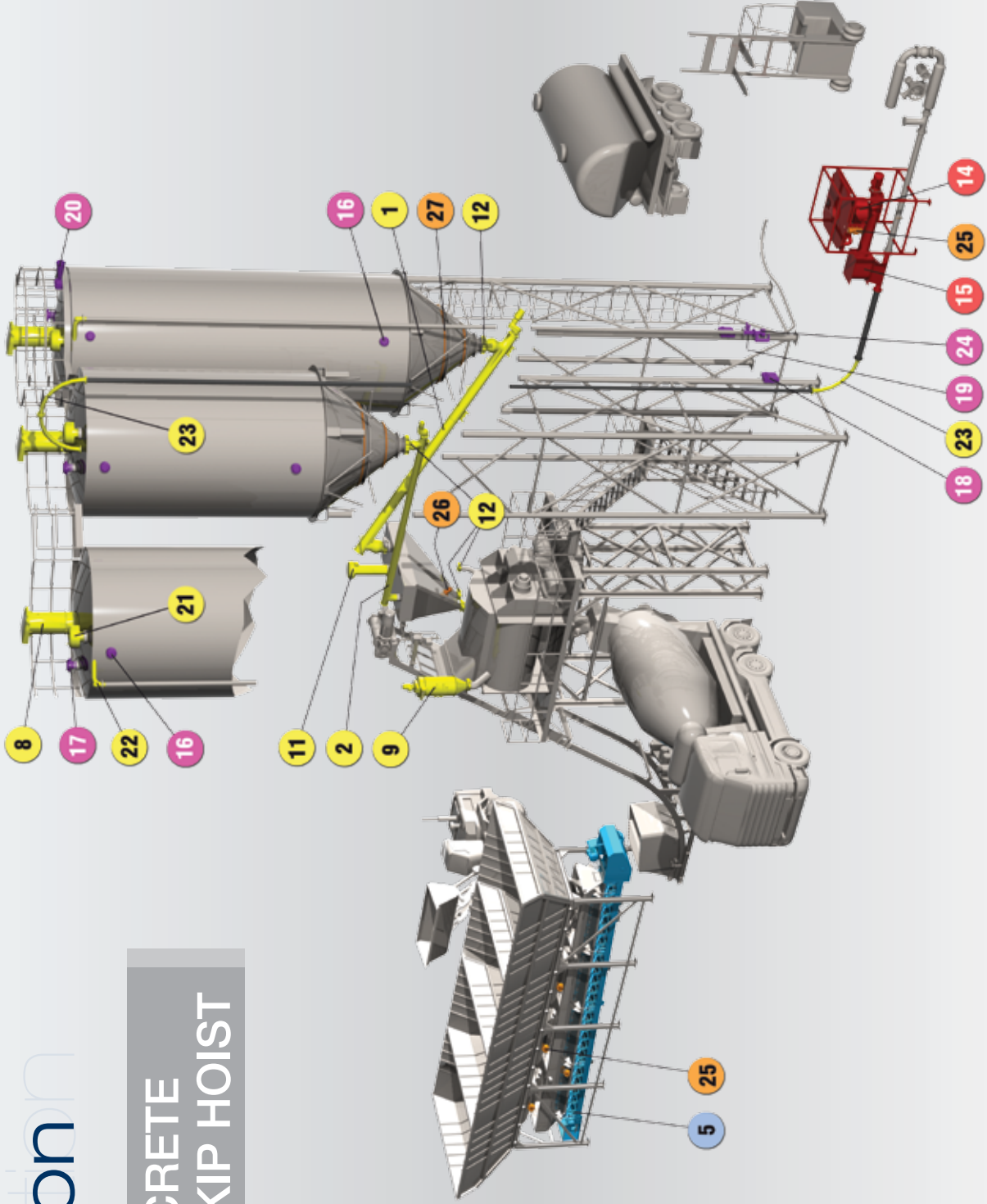
Concrete Processing



Aggregate Reclaiming

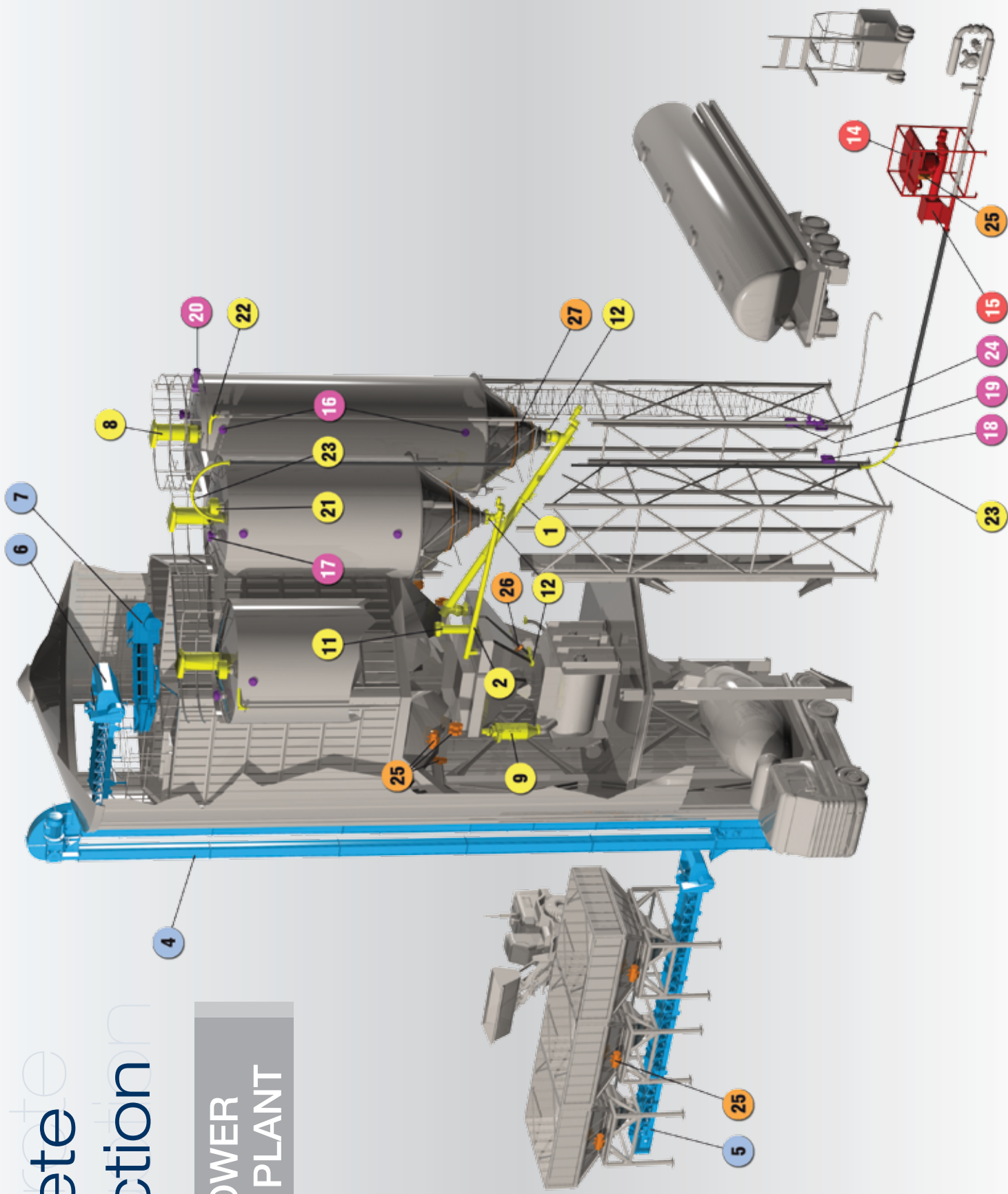
Concrete Production

WET MIX CONCRETE
PLANT WITH SKIP HOIST



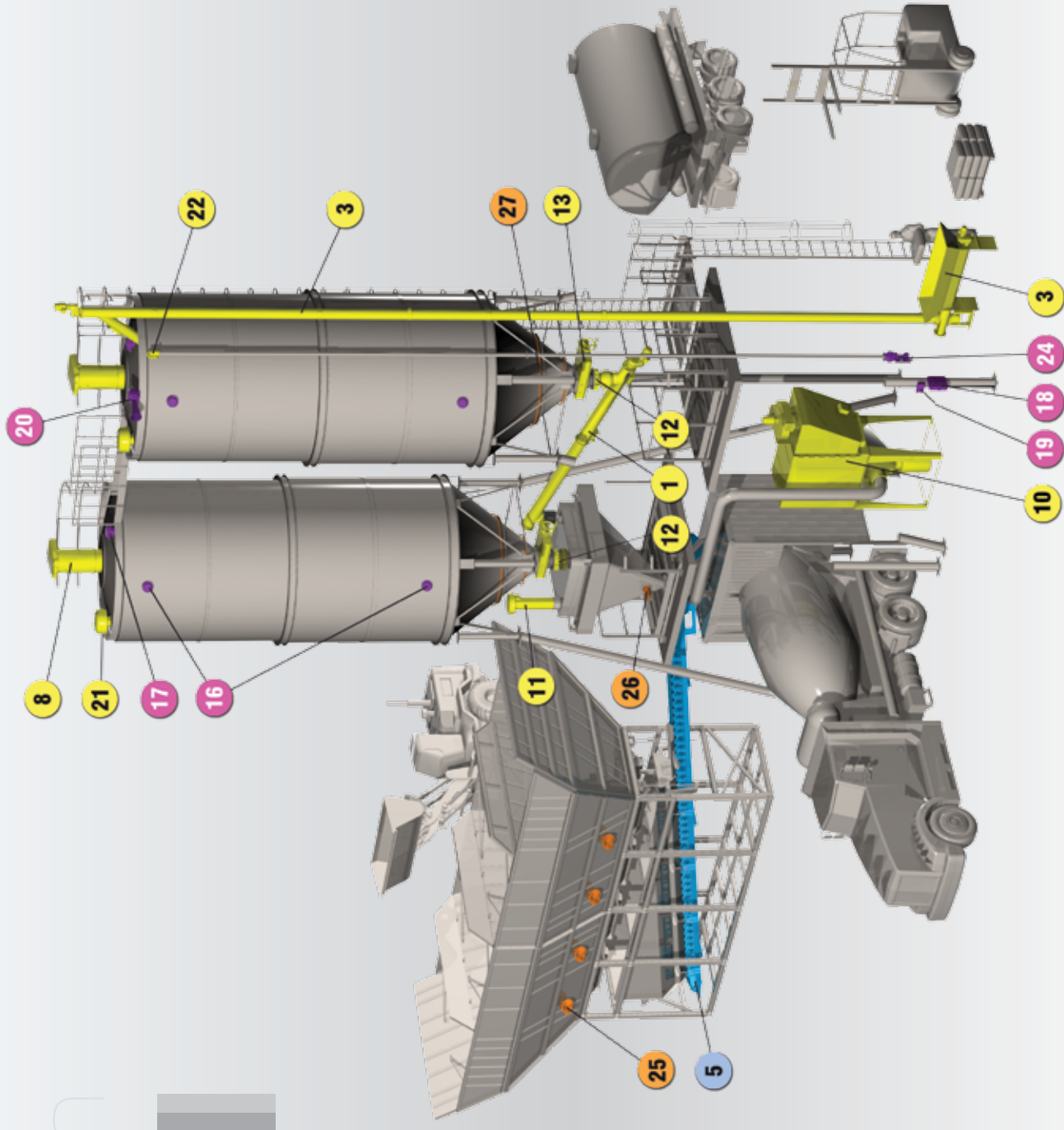
Concrete Production

WET MIX TOWER CONCRETE PLANT



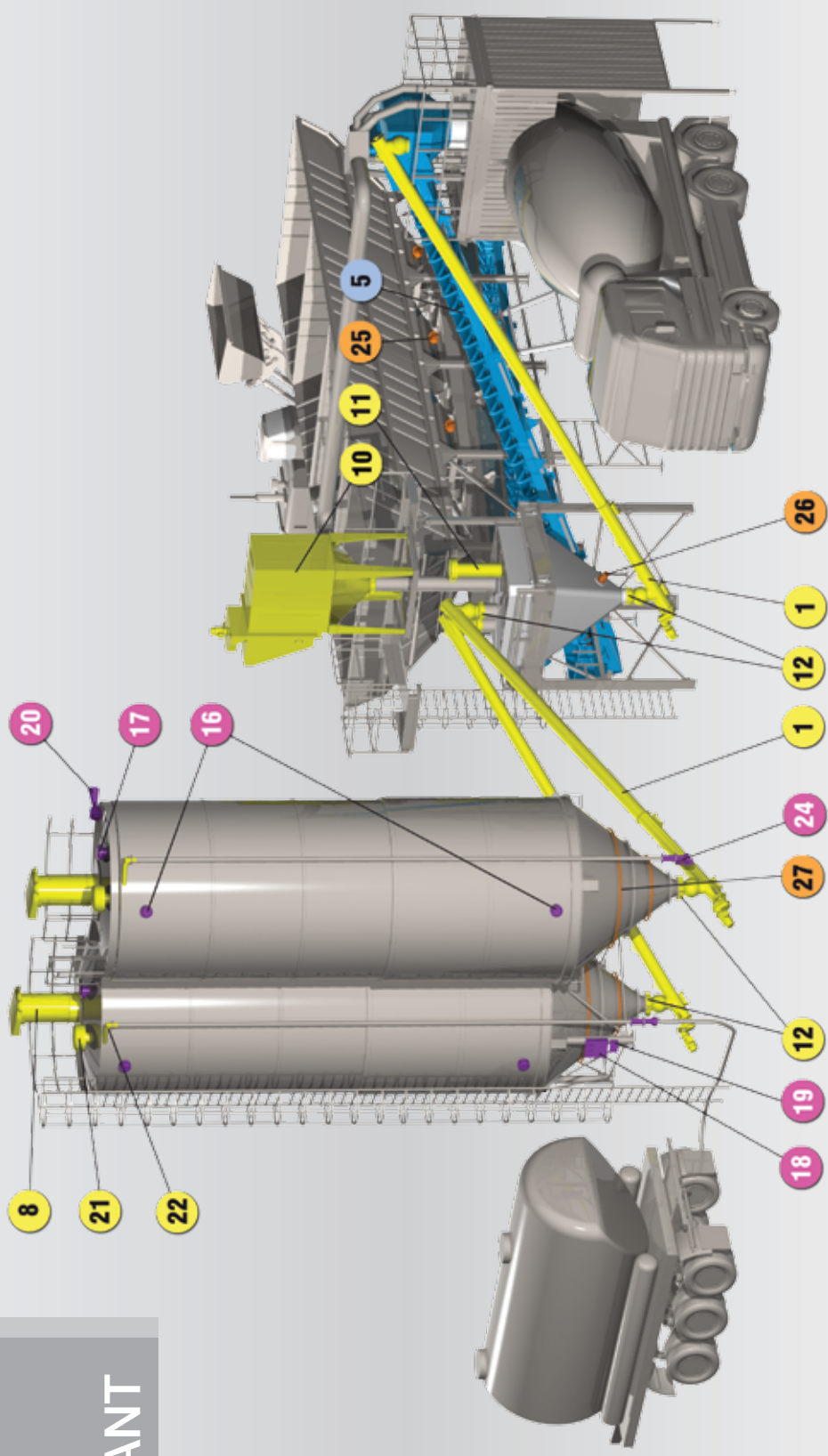
Concrete Production

DRY BATCH CONCRETE PLANT



Concrete Production

DRY BATCH LOW PROFILE CONCRETE PLANT



Concrete Production

AGGREGATE RECLAIMING SYSTEM



1 **Cement Screw Feeders ES**
*High-performance design;
highly reliable*



2 **Microsilica Screw Feeders TU**
Highly accurate feed rates



3 **Vertical Screw Lift System**
High material throughput



4 **Bucket Elevators EH**
Maximum work safety



5 **6** **7** **Belt Conveyors NTS**
Robust design with high-quality belts



8 **SILOTOP® Silo Venting Filters**
Unique maintenance-friendliness



9 **WAMFLO® Front Dust Collectors**
Efficient, eco-friendly mixer de-dusting



10 **DRYBATCH® R01 Dust Collectors**
Reduced energy consumption



11 **HOPPERTOP Weigh Hopper Venting Filters**
Small footprint; air jet-cleaned



12 **Butterfly Valves V2FF / V.FS**
Dust-tight design



13 **VL Slide Valves**
Durable



14 **Bulk Bag Discharging Stations SBB**
For microsilica bags



15 **POWPUMP™ Powder Screw Pumps**
Material transfer into pneumatic conveying line



16 **Rotary Level Indicators ILL**
Maximum and minimum level monitoring



17 **Mechanical Differential Pressure Gauges IPM / Electronic Differential Pressure Meters IPE**
Excess pressure signalling / Continuous pressure reading



18 **Silo Safety System KCS**
One control panel for up to 16 silos



19 **Power Panel SP**
Part of KCS-System; one panel per silo



20 **Siren LSI**
Malfunctioning alarm



21 **Spring-loaded Pressure Relief Valves VCP**
Maximum work safety



22 **EXTRABEND® Pipe Elbows**
Abrasion-resistant lightweight design



23 **EXTRACURVE® Wide Radius Anti-Wear Pipe Elbows**
Elastic and abrasion-resistant



24 **Pinch Valves VM / Pipe Connections KAT**
Instant filling pipe closure / Safe tanker connection



25 **External Electric Vibrators MVE**
2-years warranty including electric components



26 **MARTSHOCK Pneumatic Hammers PS**
High impact force - clean weigh hopper



27 **Aeration Pads 1100**
Aiding material flow from silo



28 **Concrete Reclaimer Feeder**
Up to 4 truck mixers simultaneously



29 **Concrete Reclaimer**
Energy saving and eco-friendly



APPLICATIONS





UNI EN ISO 9001-2000
Certified Company



063002152 March 2012 Rights reserved to modify technical specifications.



www.wamgroup.com