

PRODUCT CATALOGUE

METRIC VERSION



LEVELING FEET

P400R | S400 | S400B | C500

SERIES

Movex[®]

www.movexii.com

A NEW GENERATION OF LEVELING FEET

Thanks to the daily cooperation with the companies which we work with and based on the continuous investment on research and development to improve our products, **Movex** is proud to present the new range of leveling feet, developed for industrial machines and production equipment support.

All the different types and dimensions introduced, together with every single range specification, enrich the current range making all **Movex** levelers a practical and reliable choice, for every different application requirement.

Combinations with base and spindle have been increased so to offer a large and dedicated range, ideal for targeted answers, even to the most specific request.

To satisfy a market constantly careful to the current normative and to comply with a product which bring a real time and resources saving, **Movex** has created the **C500 series**, specifically developed to reduce contamination risk into production.

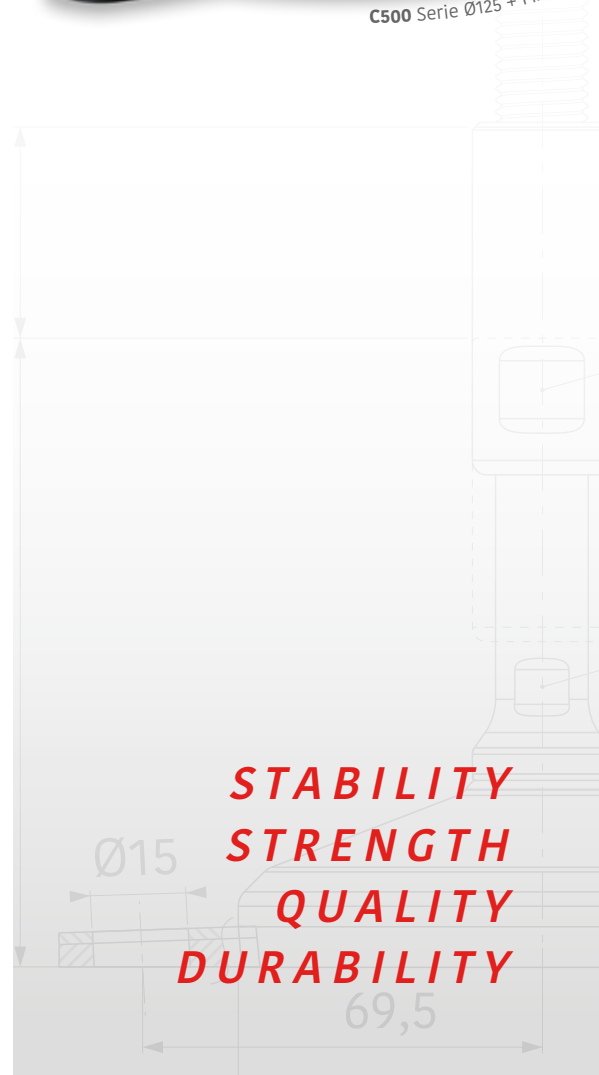
Every single **Movex** leveler range is subject to rigid quality control processes which guarantee high performances as well as esthetical aspects, features of every **Movex** product.

Choose the punctuality and reliability of **Movex** service and find out the support from a qualified team which has as only objective offer a high-level assistance, to become a partner with your company.

Contact us to get a free and customized quotation.



C500 Serie Ø125 + Fixing



P400R Series

PLASTIC LEVELERS
WITH FULLY THREADED SPINDLE



VERSIONS AVAILABLE Page 7

Fixing	8/10/12
Fixing + Anti-slip	9/11/13
Rubber NBR Accessory	14

S400 Series

STAINLESS STEEL LEVELERS
WITH FULLY THREADED SPINDLE



VERSIONS AVAILABLE Page 17

Anti-slip	18 ▶ 27
Anti-slip + Fixing	28 ▶ 33
Anti-slip Split Version	34 ▶ 38
High load	39 ▶ 43
High load + Anti-slip	44 ▶ 48
High load + Fixing	49 ▶ 52
High load + Fixing + Anti-slip	53 ▶ 56
High load Split Version	57 ▶ 61
High load + Anti-slip Split Version	62 ▶ 66

S400B Series

HYGIENIC STAINLESS STEEL
LEVELERS



VERSIONS AVAILABLE Page 69

Anti-slip	70 ▶ 79
Anti-slip + Fixing	80 ▶ 85
Anti-slip Split Version	86 ▶ 90
High load	91 ▶ 95
High load + Anti-slip	96 ▶ 100
High load + Fixing	101 ▶ 104
High load + Fixing + Anti-slip	105 ▶ 108
High load Split Version	109 ▶ 113
High load + Anti-slip Split Version	114 ▶ 118

C500 Series

HYGIENIC AND CERTIFIED
STAINLESS STEEL LEVELERS



VERSIONS AVAILABLE Page 121

Introduction	122/123
Anti-slip	124 ▶ 128
Anti-slip + Fixing	129 ▶ 132
Anti-slip Split Version	133 ▶ 137
High load + Anti-slip	138 ▶ 142
High load + Fixing + Anti-slip	143 ▶ 146
High load + Anti-slip Split Version	147 ▶ 151
Declaration of conformity	152
Installation instructions	153
Fixing instructions	154
Maintenance and cleaning	155

Accessories

ACCESSORIES AVAILABLE Page 156

Top cover Hygienic and certified	157	Support base	159/160
Nuts Simple	158	Threaded bushings	161 ▶ 163
Nuts Hygienic and certified	158		

R

P400R

O

O

Z



FIXING

RUBBER
NBR

ANTI-SLIP

PLASTIC LEVELERS WITH FULLY THREADED SPINDLE

Movex

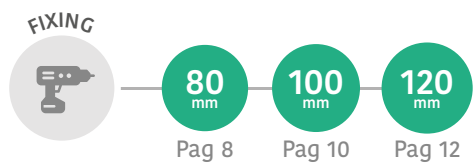
P

The image features a dark green background with four overlapping circles arranged horizontally. From left to right, the circles are: a light green circle, a medium green circle, a white circle, and a light green circle. The circles overlap in the center, creating a layered effect. The text 'PLASTIC LEVELERS WITH FULLY THREADED SPINDLE' is positioned vertically on the left side of the image.

PLASTIC LEVELERS WITH FULLY THREADED SPINDLE

P400R Series

PLASTIC LEVELERS
WITH FULLY THREADED SPINDLE



P400R ACCESSORY

RUBBER NBR

Pag 14

DIAMETER

80
mm

FIXING

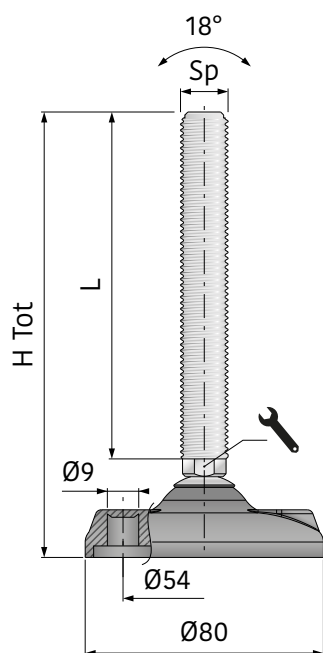


P400R

PLASTIC LEVELER
WITH FULLY THREADED SPINDLE

Main features:

- Molded baseplate in polyamide
- Spindle in austenitic stainless steel or zinc plated steel
- Washer in austenitic stainless steel



Art-Nr.	Art-Nr.	Sp	H Tot (mm)	L (mm)	Washer (mm)		Load (N)
					Ø9	Ø16	
91001	91001Z	M12	100	67	9	-	12.000
91002	91002Z		150	117	9	-	
91003	91003Z		200	167	9	-	
91101	91101Z	M16	95	61	13	-	15.000
91102	91102Z		145	111	13	-	
91103	91103Z		195	161	13	-	
91101H	91101ZH		95	61	-	16	
91102H	91102ZH		145	111	-	16	
91103H	91103ZH		195	161	-	16	
91201	91201Z	M20	120	84	16	-	16.000
91202	91202Z		170	134	16	-	
91203	91203Z		220	184	16	-	
91201H	91201ZH		120	84	-	20	
91202H	91202ZH		170	134	-	20	
91203H	91203ZH		220	184	-	20	

The P400R series, with plastic baseplate, fully threaded spindle and stainless steel washer is the best choice for industrial environments where a medium-high level of hygiene is required.

The compact baseplate and the smooth edges guarantee an excellent cleanability, even in critical conditions and the stainless steel washer ensures complete closure between the spindle and the baseplate.

Maximum compressive strength (static load) as in the table, maximum tensile strength (static load) 500 N

P400R

PLASTIC LEVELER
WITH FULLY THREADED SPINDLE

Main features:

- Molded baseplate in polyamide
- Spindle in austenitic stainless steel or zinc plated steel
- Washer in austenitic stainless steel
- Anti-slip NBR rubber pad



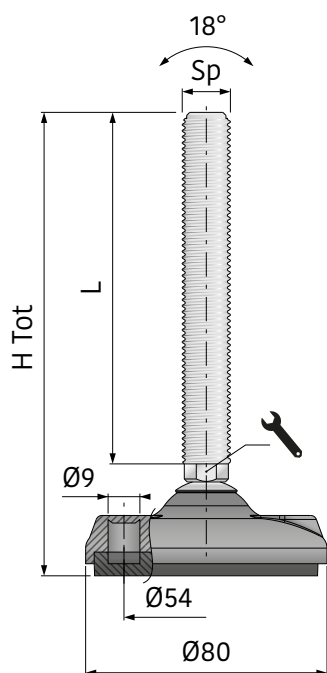
DIAMETER

80
mm

FIXING



ANTI-SLIP



Art-Nr.	Art-Nr.	Sp	H Tot (mm)	L (mm)	Washer (mm)		Load (N)
					Ø9	Ø16	
91001R	91001ZR	M12	103	67	9	-	12.000
91002R	91002ZR		153	117	9	-	
91003R	91003ZR		203	167	9	-	
91101R	91101ZR	M16	98	61	13	-	15.000
91102R	91102ZR		148	111	13	-	
91103R	91103ZR		198	161	13	-	
91101HR	91101ZHR		98	61	-	16	
91102HR	91102ZHR		148	111	-	16	
91103HR	91103ZHR		198	161	-	16	
91201R	91201ZR	M20	123	84	16	-	16.000
91202R	91202ZR		173	134	16	-	
91203R	91203ZR		223	184	16	-	
91201HR	91201ZHR		123	84	-	20	
91202HR	91202ZHR		173	134	-	20	
91203HR	91203ZHR		223	184	-	20	

The P400R series, with plastic baseplate, fully threaded spindle and stainless steel washer is the best choice for industrial environments where a medium-high level of hygiene is required.

The compact baseplate and the smooth edges guarantee an excellent cleanability, even in critical conditions; the stainless steel washer ensures complete closure between the spindle and the baseplate and the NBR rubber guarantees anti-slip properties as well as great resistance to the most common industrial detergents.

Maximum compressive strength (static load) as in the table, maximum tensile strength (static load) 500 N

DIAMETER

100
mm

FIXING

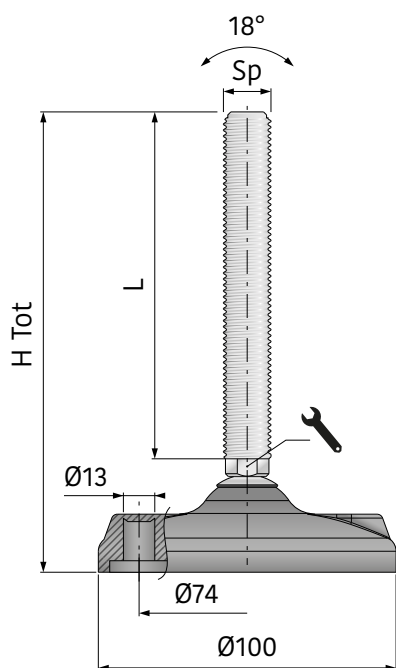


P400R

PLASTIC LEVELER
WITH FULLY THREADED SPINDLE

Main features:

- Molded baseplate in polyamide
- Spindle in austenitic stainless steel or zinc plated steel
- Washer in austenitic stainless steel



Art-Nr.	Art-Nr.	Sp	H Tot (mm)	L (mm)	Washer (mm)		Load (N)
SS	FeZn				Ø	Hex	
91301	91301Z	M16	100	61	13	-	15.000
91302	91302Z		150	111	13	-	
91303	91303Z		200	161	13	-	
91301H	91301ZH		100	61	-	16	
91302H	91302ZH		150	111	-	16	
91303H	91303ZH		200	161	-	16	
91401	91401Z	M20	125	84	16	-	16.000
91402	91402Z		175	134	16	-	
91403	91403Z		225	184	16	-	
91401H	91401ZH		125	84	-	20	
91402H	91402ZH		175	134	-	20	
91403H	91403ZH		225	184	-	20	
91501	91501Z	M24	125	83	19	-	18.000
91502	91502Z		175	133	19	-	
91503	91503Z		225	183	19	-	

The P400R series, with plastic baseplate, fully threaded spindle and stainless steel washer is the best choice for industrial environments where a medium-high level of hygiene is required.

The compact baseplate and the smooth edges guarantee an excellent cleanability, even in critical conditions and the stainless steel washer ensures complete closure between the spindle and the baseplate.

Maximum compressive strength (static load) as in the table, maximum tensile strength (static load) 500 N

P400R

PLASTIC LEVELER
WITH FULLY THREADED SPINDLE

Main features:

- Molded baseplate in polyamide
- Spindle in austenitic stainless steel or zinc plated steel
- Washer in austenitic stainless steel
- Anti-slip NBR rubber pad



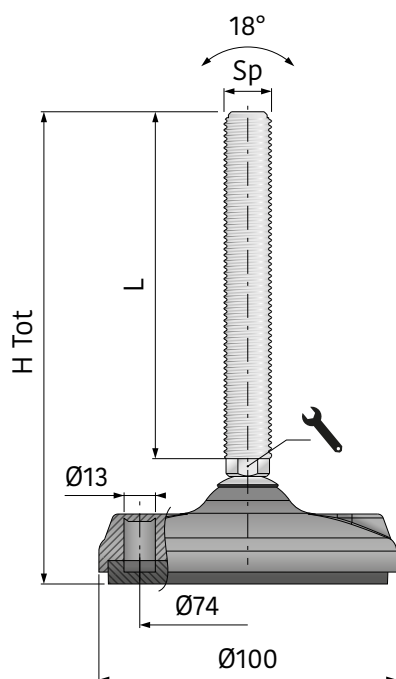
DIAMETER

100
mm

FIXING



ANTI-SLIP



Art-Nr.	Art-Nr.	Sp	H Tot (mm)	L (mm)	Washer (mm)		Load (N)
					Hex	Round	
					13	16	
91301R	91301ZR	M16	103	61	13	-	15.000
91302R	91302ZR		153	111	13	-	
91303R	91303ZR		203	161	13	-	
91301HR	91301ZHR		103	61	-	16	
91302HR	91302ZHR		153	111	-	16	
91303HR	91303ZHR		203	161	-	16	
91401R	91401ZR	M20	128	84	16	-	16.000
91402R	91402ZR		178	134	16	-	
91403R	91403ZR		228	184	16	-	
91401HR	91401ZHR		128	84	-	20	
91402HR	91402ZHR		178	134	-	20	
91403HR	91403ZHR		228	184	-	20	
91501R	91501ZR	M24	128	83	19	-	18.000
91502R	91502ZR		178	133	19	-	
91503R	91503ZR		228	183	19	-	

The P400R series, with plastic baseplate, fully threaded spindle and stainless steel washer is the best choice for industrial environments where a medium-high level of hygiene is required.

The compact baseplate and the smooth edges guarantee an excellent cleanability, even in critical conditions; the stainless steel washer ensures complete closure between the spindle and the baseplate and the NBR rubber guarantees anti-slip properties as well as great resistance to the most common industrial detergents.

Maximum compressive strength (static load) as in the table, maximum tensile strength (static load) 500 N

DIAMETER

120
mm

FIXING

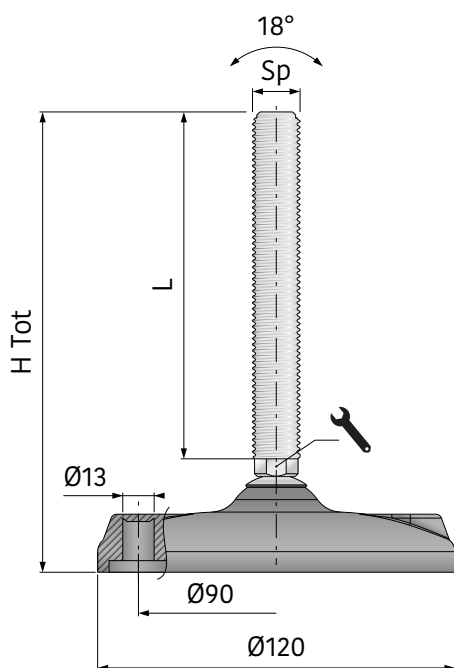


P400R

PLASTIC LEVELER
WITH FULLY THREADED SPINDLE

Main features:

- Molded baseplate in polyamide
- Spindle in austenitic stainless steel or zinc plated steel
- Washer in austenitic stainless steel



Art-Nr.	Art-Nr.	Sp	H Tot (mm)	L (mm)	Washer (mm)		Load (N)
SS	FeZn				Ø	Hex	
91601	91601Z	M16	100	61	13	-	15.000
91602	91602Z		150	111	13	-	
91603	91603Z		200	161	13	-	
91601H	91601ZH		100	61	-	16	
91602H	91602ZH		150	111	-	16	
91603H	91603ZH		200	161	-	16	
91701	91701Z	M20	125	84	16	-	16.000
91702	91702Z		175	134	16	-	
91703	91703Z		225	184	16	-	
91701H	91701ZH		125	84	-	20	
91702H	91702ZH		175	134	-	20	
91703H	91703ZH		225	184	-	20	
91801	91801Z	M24	125	83	19	-	18.000
91802	91802Z		175	133	19	-	
91803	91803Z		225	183	19	-	

The P400R series, with plastic baseplate, fully threaded spindle and stainless steel washer is the best choice for industrial environments where a medium-high level of hygiene is required.

The compact baseplate and the smooth edges guarantee an excellent cleanability, even in critical conditions and the stainless steel washer ensures complete closure between the spindle and the baseplate.

Maximum compressive strength (static load) as in the table, maximum tensile strength (static load) 500 N

P400R

PLASTIC LEVELER
WITH FULLY THREADED SPINDLE

Main features:

- Molded baseplate in polyamide
- Spindle in austenitic stainless steel or zinc plated steel
- Washer in austenitic stainless steel
- Anti-slip NBR rubber pad



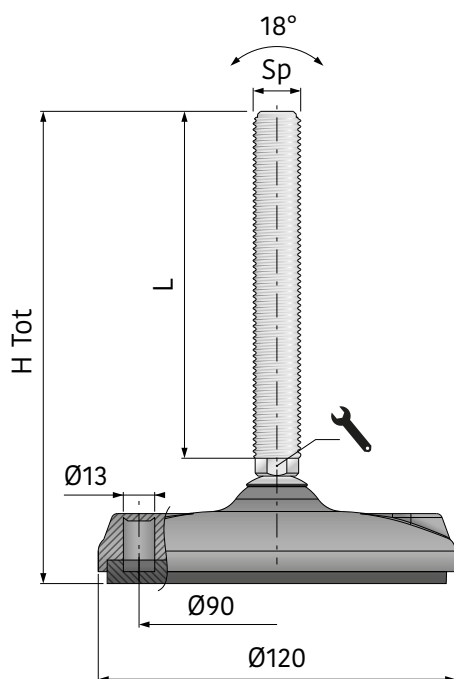
DIAMETER

120
mm

FIXING



ANTI-SLIP



Art-Nr.	Art-Nr.	Sp	H Tot (mm)	L (mm)	Washer (mm)		Load (N)
					Ø	Hex	
					13	-	
91601R	91601ZR	M16	103	61	13	-	15.000
91602R	91602ZR		153	111	13	-	
91603R	91603ZR		203	161	13	-	
91601HR	91601ZHR		103	61	-	16	
91602HR	91602ZHR		153	111	-	16	
91603HR	91603ZHR		203	161	-	16	
91701R	91701ZR	M20	128	84	16	-	16.000
91702R	91702ZR		178	134	16	-	
91703R	91703ZR		228	184	16	-	
91701HR	91701ZHR		128	84	-	20	
91702HR	91702ZHR		178	134	-	20	
91703HR	91703ZHR		228	184	-	20	
91801R	91801ZR	M24	128	83	19	-	18.000
91802R	91802ZR		178	133	19	-	
91803R	91803ZR		228	183	19	-	

The P400R series, with plastic baseplate, fully threaded spindle and stainless steel washer is the best choice for industrial environments where a medium-high level of hygiene is required.

The compact baseplate and the smooth edges guarantee an excellent cleanability, even in critical conditions; the stainless steel washer ensures complete closure between the spindle and the baseplate and the NBR rubber guarantees anti-slip properties as well as great resistance to the most common industrial detergents.

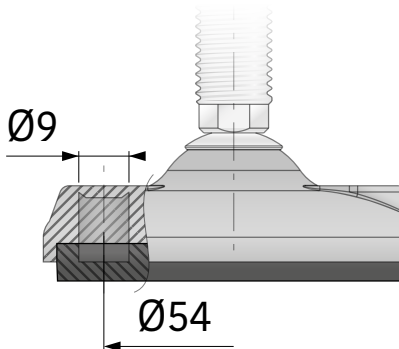
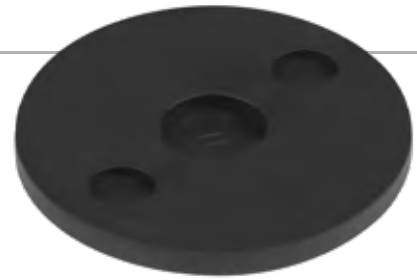
Maximum compressive strength (static load) as in the table, maximum tensile strength (static load) 500 N

Rubber NBR

ANTI-SLIP PAD

Main features:

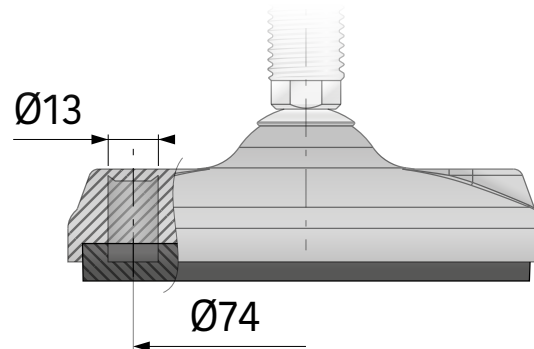
- Rubber NBR
- Predisposition for version with holes



Anti-slip pad
for base Ø80

Art-Nr.

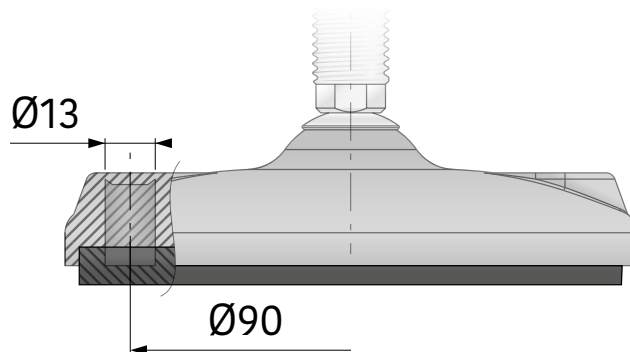
99604



Anti-slip pad
for base Ø100

Art-Nr.

99605



Anti-slip pad
for base Ø120

Art-Nr.

99606

S400

SPLIT VERSION



HIGH
LOAD

FIXING

ANTI-SLIP

STAINLESS STEEL LEVELERS WITH FULLY THREADED SPINDLE

S400 Series

STAINLESS STEEL LEVELERS WITH FULLY THREADED SPINDLE

ANTI-SLIP



- 50 mm Pag 18
- 60 mm Pag 19
- 65 mm Pag 20
- 75 mm Pag 21
- 80 mm Pag 22
- 100 mm Pag 23
- 105 mm Pag 24
- 125 mm Pag 25
- 150 mm Pag 26
- 180 mm Pag 27

ANTI-SLIP



FIXING



- 60 mm Pag 28
- 75 mm Pag 29
- 80 mm Pag 30
- 100 mm Pag 31
- 105 mm Pag 32
- 125 mm Pag 33

S400 SPLIT

ANTI-SLIP



SPLIT VERSION



- 60 mm Pag 34
- 80 mm Pag 35
- 105 mm Pag 36
- 125 mm Pag 37
- 150 mm Pag 38

S400 HEAVY

HIGH LOAD



- 60 mm Pag 39
- 80 mm Pag 40
- 105 mm Pag 41
- 125 mm Pag 42
- 150 mm Pag 43

HIGH LOAD



ANTI-SLIP



- 60 mm Pag 44
- 80 mm Pag 45
- 105 mm Pag 46
- 125 mm Pag 47
- 150 mm Pag 48

HIGH LOAD



FIXING



- 80 mm Pag 49
- 105 mm Pag 50
- 125 mm Pag 51
- 150 mm Pag 52

HIGH LOAD



FIXING



ANTI-SLIP



- 80 mm Pag 53
- 105 mm Pag 54
- 125 mm Pag 55
- 150 mm Pag 56

S400 HEAVY-SPLIT

HIGH LOAD



SPLIT VERSION



- 60 mm Pag 57
- 80 mm Pag 58
- 105 mm Pag 59
- 125 mm Pag 60
- 150 mm Pag 61

HIGH LOAD



SPLIT VERSION



ANTI-SLIP



- 60 mm Pag 62
- 80 mm Pag 63
- 105 mm Pag 64
- 125 mm Pag 65
- 150 mm Pag 66

DIAMETER

50
mm

ANTI-SLIP

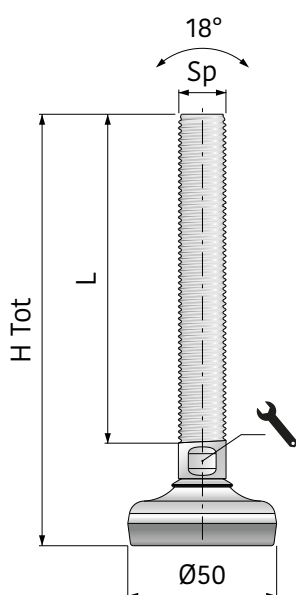


S400

STAINLESS STEEL LEVELER
WITH FULLY THREADED SPINDLE

Main features:

- Overmolded baseplate in austenitic stainless steel
- Spindle in austenitic stainless steel
- Washer in austenitic stainless steel
- Vulcanized anti-slip NBR rubber



Art-Nr.	Sp	H Tot (mm)	L (mm)	Wrench (mm)	Load (N)
901001	M10	85,8	50,5	7	3.000
901002		115,8	80,5	7	
901003		145,8	110,5	7	
901004	M12	85,8	50,8	10	3.000
901005		115,8	80,8	10	
901006		145,8	110,8	10	
901007		175,8	140,8	10	
901008	M16	85,8	51,3	13	3.000
901009		115,8	81,3	13	
901010		145,8	111,3	13	
901011		175,8	141,3	13	
901012		225,8	191,3	13	
901013	M20	85,8	52,3	17	3.000
901014		115,8	82,3	17	
901015		145,8	112,3	17	
901016		175,8	142,3	17	
901017		225,8	192,3	17	
901018		285,8	252,3	17	

The S400 series, with overmolded base plate in austenitic stainless steel, fully threaded spindle and stainless steel washer is the best choice for industrial environments where a high level of hygiene is required.

The stainless steel baseplate and its particular shape guarantee an excellent cleanability, even in critical conditions; the stainless steel washer ensures complete closure between the spindle and the baseplate and the NBR rubber guarantees anti-slip proprieties and hermetic closure between the leveler and the floor.

Maximum compressive strength (static load) as in the table, maximum tensile strength (static load) 4.000 N

S400

STAINLESS STEEL LEVELER
WITH FULLY THREADED SPINDLE

Main features:

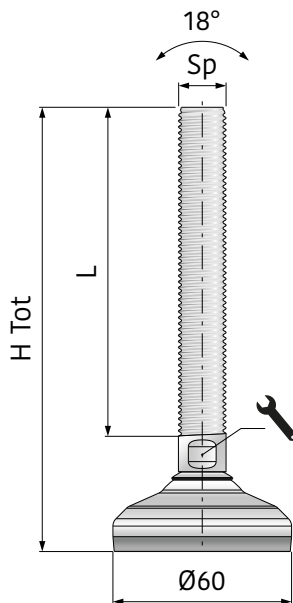
- Overmolded baseplate in austenitic stainless steel
- Spindle in austenitic stainless steel
- Washer in austenitic stainless steel
- Vulcanized anti-slip NBR rubber



DIAMETER

60
mm

ANTI-SLIP



Art-Nr.	Sp	H Tot (mm)	L (mm)	Wrench (mm)	Load (N)
901019	M10	90	50,5	7	3.000
901020		120	80,5	7	
901021		150	110,5	7	
901022	M12	90	50,8	10	4.500
901023		120	80,8	10	
901024		150	110,8	10	
901025		180	140,8	10	
901026	M16	90	51,3	13	4.500
901027		120	81,3	13	
901028		150	111,3	13	
901029		180	141,3	13	
901030		230	191,3	13	
901031	M20	90	52,3	17	4.500
901032		120	82,3	17	
901033		150	112,3	17	
901034		180	142,3	17	
901035		230	192,3	17	
901036		290	252,3	17	

The S400 series, with overmolded base plate in austenitic stainless steel, fully threaded spindle and stainless steel washer is the best choice for industrial environments where a high level of hygiene is required.

The stainless steel baseplate and its particular shape guarantee an excellent cleanability, even in critical conditions; the stainless steel washer ensures complete closure between the spindle and the baseplate and the NBR rubber guarantees anti-slip proprieties and hermetic closure between the leveler and the floor.

Maximum compressive strength (static load) as in the table, maximum tensile strength (static load) 4.000 N

DIAMETER

65
mm

ANTI-SLIP

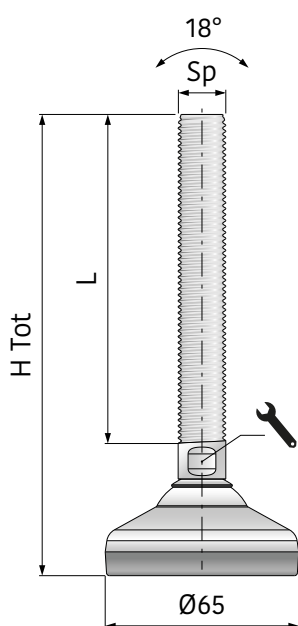


S400

STAINLESS STEEL LEVELER
WITH FULLY THREADED SPINDLE

Main features:

- Overmolded baseplate in austenitic stainless steel
- Spindle in austenitic stainless steel
- Washer in austenitic stainless steel
- Vulcanized anti-slip NBR rubber



Art-Nr.	Sp	H Tot (mm)	L (mm)	Washer (mm)	Load (N)
901037	M10	95,7	50,5	7	3.000
901038		125,7	80,5	7	
901039		155,7	110,5	7	
901040	M12	95,7	50,8	10	5.000
901041		125,7	80,8	10	
901042		155,7	110,8	10	
901043		185,7	140,8	10	
901044	M16	95,7	51,3	13	5.000
901045		125,7	81,3	13	
901046		155,7	111,3	13	
901047		185,7	141,3	13	
901048		235,7	191,3	13	
901049	M20	95,7	52,3	17	5.000
901050		125,7	82,3	17	
901051		155,7	112,3	17	
901052		185,7	142,3	17	
901053		235,7	192,3	17	
901054		295,7	252,3	17	

The S400 series, with overmolded base plate in austenitic stainless steel, fully threaded spindle and stainless steel washer is the best choice for industrial environments where a high level of hygiene is required.

The stainless steel baseplate and its particular shape guarantee an excellent cleanability, even in critical conditions; the stainless steel washer ensures complete closure between the spindle and the baseplate and the NBR rubber guarantees anti-slip proprieties and hermetic closure between the leveler and the floor.

Maximum compressive strength (static load) as in the table, maximum tensile strength (static load) 4.000 N

S400

STAINLESS STEEL LEVELER
WITH FULLY THREADED SPINDLE

Main features:

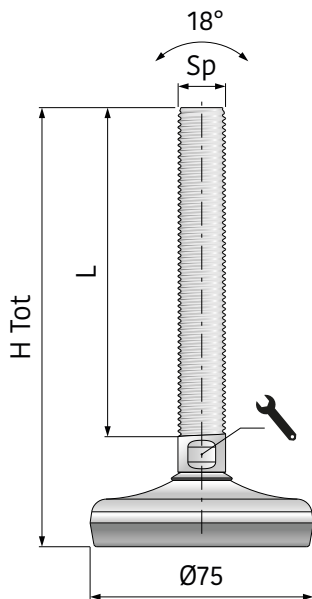
- Overmolded baseplate in austenitic stainless steel
- Spindle in austenitic stainless steel
- Washer in austenitic stainless steel
- Vulcanized anti-slip NBR rubber



DIAMETER

75
mm

ANTI-SLIP



Art-Nr.	Sp	H Tot (mm)	L (mm)	Wrench (mm)	Load (N)
901055	M12	88,3	50,8	10	8.000
901056		118,3	80,8	10	
901057		148,3	110,8	10	
901058		178,3	140,8	10	
901059	M16	88,3	51,3	13	8.000
901060		118,3	81,3	13	
901061		148,3	111,3	13	
901062		178,3	141,3	13	
901063		228,3	191,3	13	
901064	M20	88,3	52,3	17	8.000
901065		118,3	82,3	17	
901066		148,3	112,3	17	
901067		178,3	142,3	17	
901068		228,3	192,3	17	
901069		288,3	252,3	17	
901070	M24	119,5	76	19	8.000
901071		149,5	106	19	
901072		179,5	136	19	
901073		229,5	186	19	
901074		289,5	246	19	
901075	M30	149,5	106	24	8.000
901076		179,5	136	24	
901077		229,5	186	24	
901078		289,5	246	24	
901079		339,5	296	24	

The S400 series, with overmolded base plate in austenitic stainless steel, fully threaded spindle and stainless steel washer is the best choice for industrial environments where a high level of hygiene is required.

The stainless steel baseplate and its particular shape guarantee an excellent cleanability, even in critical conditions; the stainless steel washer ensures complete closure between the spindle and the baseplate and the NBR rubber guarantees anti-slip proprieties and hermetic closure between the leveler and the floor.

Maximum compressive strength (static load) as in the table, maximum tensile strength (static load) 4.000 N

DIAMETER

80
mm

ANTI-SLIP

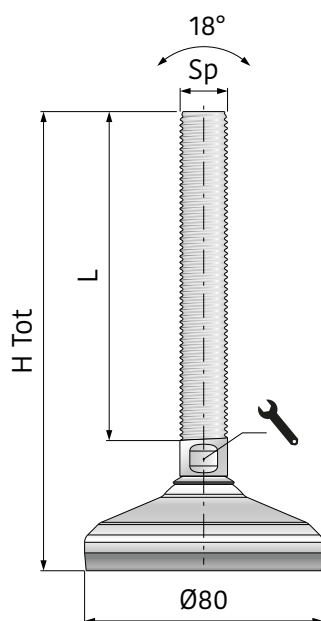


S400

STAINLESS STEEL LEVELER
WITH FULLY THREADED SPINDLE

Main features:

- Overmolded baseplate in austenitic stainless steel
- Spindle in austenitic stainless steel
- Washer in austenitic stainless steel
- Vulcanized anti-slip NBR rubber



Art-Nr.	Sp	H Tot (mm)	L (mm)	Wrench (mm)	Load (N)
901080	M12	95	50,8	10	12.000
901081		125	80,8	10	
901082		155	110,8	10	
901083		185	140,8	10	
901084	M16	95	51,3	13	15.000
901085		125	81,3	13	
901086		155	111,3	13	
901087		185	141,3	13	
901088		235	191,3	13	
901089	M20	95	52,3	17	15.000
901090		125	82,3	17	
901091		155	112,3	17	
901092		185	142,3	17	
901093		235	192,3	17	
901094		295	252,3	17	
901095	M24	125	76	19	15.000
901096		155	106	19	
901097		185	136	19	
901098		235	186	19	
901099		295	246	19	
901100	M30	155	106	24	15.000
901101		185	136	24	
901102		235	186	24	
901103		295	246	24	
901104		345	296	24	

The S400 series, with overmolded base plate in austenitic stainless steel, fully threaded spindle and stainless steel washer is the best choice for industrial environments where a high level of hygiene is required.

The stainless steel baseplate and its particular shape guarantee an excellent cleanability, even in critical conditions; the stainless steel washer ensures complete closure between the spindle and the baseplate and the NBR rubber guarantees anti-slip proprieties and hermetic closure between the leveler and the floor.

Maximum compressive strength (static load) as in the table, maximum tensile strength (static load) 4.000 N

S400

STAINLESS STEEL LEVELER
WITH FULLY THREADED SPINDLE

Main features:

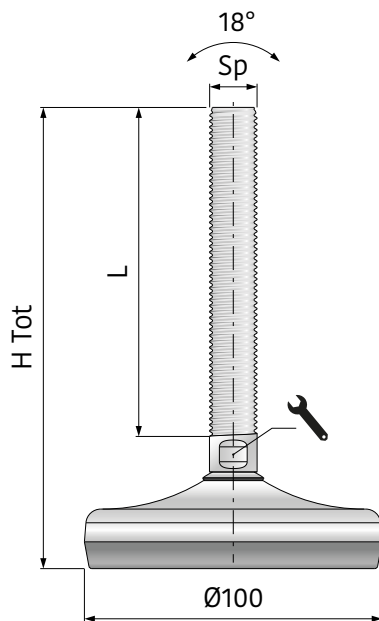
- Overmolded baseplate in austenitic stainless steel
- Spindle in austenitic stainless steel
- Washer in austenitic stainless steel
- Vulcanized anti-slip NBR rubber



DIAMETER

100
mm

ANTI-SLIP



Art-Nr.	Sp	H Tot (mm)	L (mm)	Wrench (mm)	Load (N)
901105	M16	93,5	51,3	13	20.000
901106		123,5	81,3	13	
901107		153,5	111,3	13	
901108		183,5	141,3	13	
901109		233,5	191,3	13	
901110	M20	93,5	52,3	17	20.000
901111		123,5	82,3	17	
901112		153,5	112,3	17	
901113		183,5	142,3	17	
901114		233,5	192,3	17	
901115		293,5	252,3	17	
901116	M24	126,7	76	19	20.000
901117		156,7	106	19	
901118		186,7	136	19	
901119		236,7	186	19	
901120		296,7	246	19	
901121	M30	156,7	106	24	20.000
901122		186,7	136	24	
901123		236,7	186	24	
901124		296,7	246	24	
901125		346,7	296	24	
901126	M36	186,7	136	30	20.000
901127		236,7	186	30	
901128		296,7	246	30	
901129		346,7	296	30	

The S400 series, with overmolded base plate in austenitic stainless steel, fully threaded spindle and stainless steel washer is the best choice for industrial environments where a high level of hygiene is required.

The stainless steel baseplate and its particular shape guarantee an excellent cleanability, even in critical conditions; the stainless steel washer ensures complete closure between the spindle and the baseplate and the NBR rubber guarantees anti-slip proprieties and hermetic closure between the leveler and the floor.

Maximum compressive strength (static load) as in the table, maximum tensile strength (static load) 4.000 N

DIAMETER

105
mm

ANTI-SLIP

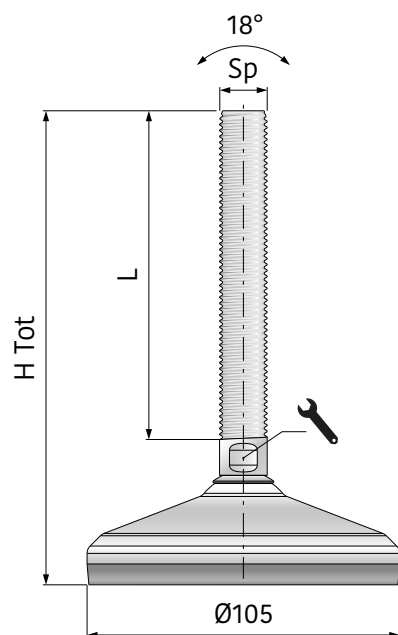


S400

STAINLESS STEEL LEVELER
WITH FULLY THREADED SPINDLE

Main features:

- Overmolded baseplate in austenitic stainless steel
- Spindle in austenitic stainless steel
- Washer in austenitic stainless steel
- Vulcanized anti-slip NBR rubber



Art-Nr.	Sp	H Tot (mm)	L (mm)	Wrench (mm)	Load (N)
901130	M16	100	51,3	13	25.000
901131		130	81,3	13	
901132		160	111,3	13	
901133		190	141,3	13	
901134		240	191,3	13	
901135	M20	100	52,3	17	25.000
901136		130	82,3	17	
901137		160	112,3	17	
901138		190	142,3	17	
901139		240	192,3	17	
901140	300	252,3	17		
901141	M24	130	76	19	25.000
901142		160	106	19	
901143		190	136	19	
901144		240	186	19	
901145		300	246	19	
901146	M30	160	106	24	25.000
901147		190	136	24	
901148		240	186	24	
901149		300	246	24	
901150		350	296	24	
901151	M36	190	136	30	25.000
901152		240	186	30	
901153		300	246	30	
901154		350	296	30	

The S400 series, with overmolded base plate in austenitic stainless steel, fully threaded spindle and stainless steel washer is the best choice for industrial environments where a high level of hygiene is required.

The stainless steel baseplate and its particular shape guarantee an excellent cleanability, even in critical conditions; the stainless steel washer ensures complete closure between the spindle and the baseplate and the NBR rubber guarantees anti-slip proprieties and hermetic closure between the leveler and the floor.

Maximum compressive strength (static load) as in the table, maximum tensile strength (static load) 4.000 N

S400

STAINLESS STEEL LEVELER
WITH FULLY THREADED SPINDLE

Main features:

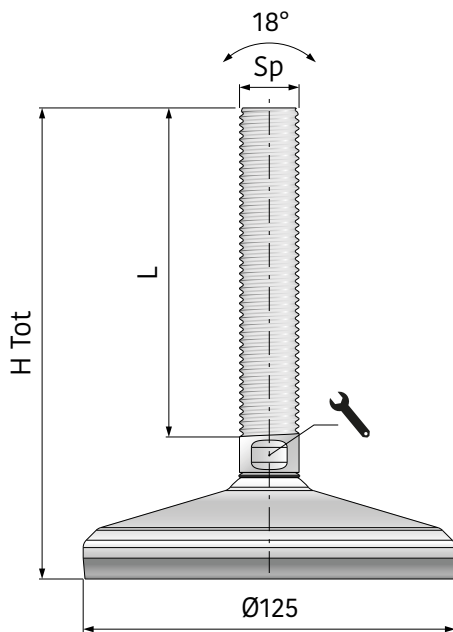
- Overmolded baseplate in austenitic stainless steel
- Spindle in austenitic stainless steel
- Washer in austenitic stainless steel
- Vulcanized anti-slip NBR rubber



DIAMETER

125
mm

ANTI-SLIP



Art-Nr.	Sp	H Tot (mm)	L (mm)	Washer (mm)	Load (N)
901155	M20	100	52,3	17	30.000
901156		130	82,3	17	
901157		160	112,3	17	
901158		190	142,3	17	
901159		240	192,3	17	
901160		300	252,3	17	
901161	M24	130	76	19	30.000
901162		160	106	19	
901163		190	136	19	
901164		240	186	19	
901165		300	246	19	
901166	M30	160	106	24	30.000
901167		190	136	24	
901168		240	186	24	
901169		300	246	24	
901170		350	296	24	
901171	M36	190	136	30	30.000
901172		240	186	30	
901173		300	246	30	
901174		350	296	30	

The S400 series, with overmolded base plate in austenitic stainless steel, fully threaded spindle and stainless steel washer is the best choice for industrial environments where a high level of hygiene is required.

The stainless steel baseplate and its particular shape guarantee an excellent cleanability, even in critical conditions; the stainless steel washer ensures complete closure between the spindle and the baseplate and the NBR rubber guarantees anti-slip proprieties and hermetic closure between the leveler and the floor.

Maximum compressive strength (static load) as in the table, maximum tensile strength (static load) 4.000 N

DIAMETER

150
mm

ANTI-SLIP

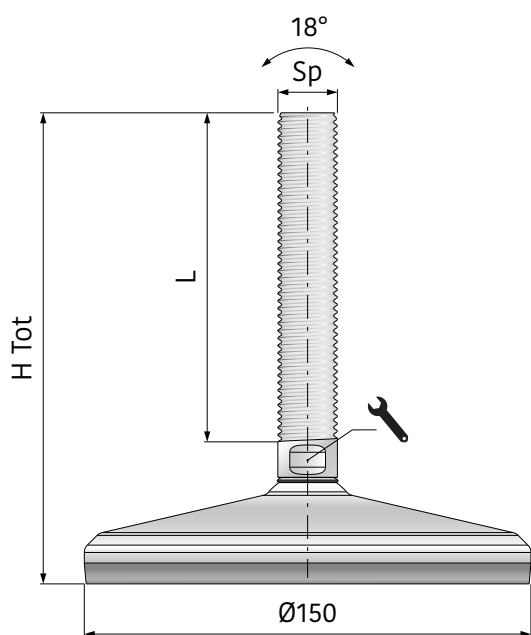


S400

STAINLESS STEEL LEVELER
WITH FULLY THREADED SPINDLE

Main features:

- Overmolded baseplate in austenitic stainless steel
- Spindle in austenitic stainless steel
- Washer in austenitic stainless steel
- Vulcanized anti-slip NBR rubber



Art-Nr.	Sp	H Tot (mm)	L (mm)	Washer (mm)	Load (N)
901175	M20	100	52,3	17	45.000
901176		130	82,3	17	
901177		160	112,3	17	
901178		190	142,3	17	
901179		240	192,3	17	
901180		300	252,3	17	
901181	M24	130	76	19	45.000
901182		160	106	19	
901183		190	136	19	
901184		240	186	19	
901185		300	246	19	
901186	M30	160	106	24	45.000
901187		190	136	24	
901188		240	186	24	
901189		300	246	24	
901190		350	296	24	
901191	M36	190	136	30	45.000
901192		240	186	30	
901193		300	246	30	
901194		350	296	30	

The S400 series, with overmolded base plate in austenitic stainless steel, fully threaded spindle and stainless steel washer is the best choice for industrial environments where a high level of hygiene is required.

The stainless steel baseplate and its particular shape guarantee an excellent cleanability, even in critical conditions; the stainless steel washer ensures complete closure between the spindle and the baseplate and the NBR rubber guarantees anti-slip properties and hermetic closure between the leveler and the floor.

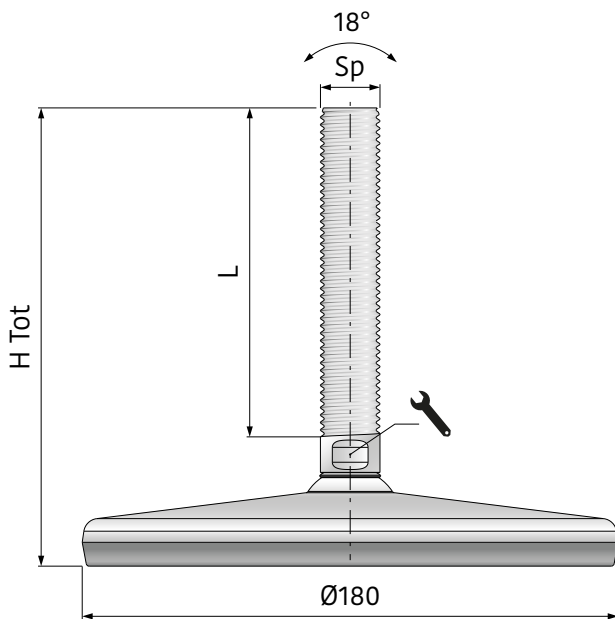
Maximum compressive strength (static load) as in the table, maximum tensile strength (static load) 4.000 N

S400

STAINLESS STEEL LEVELER
WITH FULLY THREADED SPINDLE

Main features:

- Overmolded baseplate in austenitic stainless steel
- Spindle in austenitic stainless steel
- Washer in austenitic stainless steel
- Vulcanized anti-slip NBR rubber



Art-Nr.	Sp	H Tot (mm)	L (mm)	Wrench (mm)	Load (N)
901195	M20	95,7	52,3	17	38.000
901196		125,7	82,3	17	
901197		155,7	112,3	17	
901198		185,7	142,3	17	
901199		235,7	192,3	17	
901200		295,7	252,3	17	
901201	M24	125,7	76	19	38.000
901202		155,7	106	19	
901203		185,7	136	19	
901204		235,7	186	19	
901205		295,7	246	19	
901206	M30	155,7	106	24	38.000
901207		185,7	136	24	
901208		235,7	186	24	
901209		295,7	246	24	
901210		345,7	296	24	
901211	M36	185,7	136	30	38.000
901212		235,7	186	30	
901213		295,7	246	30	
901214		345,7	296	30	

The S400 series, with overmolded base plate in austenitic stainless steel, fully threaded spindle and stainless steel washer is the best choice for industrial environments where a high level of hygiene is required.

The stainless steel baseplate and its particular shape guarantee an excellent cleanability, even in critical conditions; the stainless steel washer ensures complete closure between the spindle and the baseplate and the NBR rubber guarantees anti-slip proprieties and hermetic closure between the leveler and the floor.

Maximum compressive strength (static load) as in the table, maximum tensile strength (static load) 4.000 N

DIAMETER

60
mm

S400

STAINLESS STEEL LEVELER
WITH FULLY THREADED SPINDLE

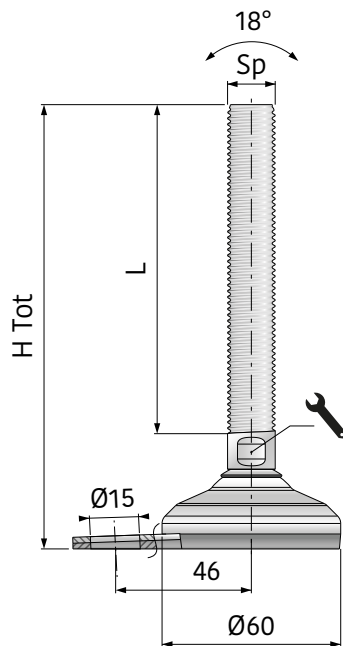
ANTI-SLIP



FIXING

**Main features:**

- Overmolded baseplate in austenitic stainless steel
- Spindle in austenitic stainless steel
- Washer in austenitic stainless steel
- Vulcanized anti-slip NBR rubber
- Single floor fixation



Art-Nr.	Sp	H Tot (mm)	L (mm)	Washer (mm)	Load (N)
901215	M10	90	50,5	7	3.000
901216		120	80,5	7	
901217		150	110,5	7	
901218	M12	90	50,8	10	4.500
901219		120	80,8	10	
901220		150	110,8	10	
901221		180	140,8	10	
901222	M16	90	51,3	13	4.500
901223		120	81,3	13	
901224		150	111,3	13	
901225		180	141,3	13	
901226		230	191,3	13	
901227	M20	90	52,3	17	4.500
901228		120	82,3	17	
901229		150	112,3	17	
901230		180	142,3	17	
901231		230	192,3	17	
901232		290	252,3	17	

The S400 series, with overmolded base plate in austenitic stainless steel, fully threaded spindle and stainless steel washer is the best choice for industrial environments where a high level of hygiene is required.

The stainless steel baseplate and its particular shape guarantee an excellent cleanability, even in critical conditions; the stainless steel washer ensures complete closure between the spindle and the baseplate and the NBR rubber guarantees anti-slip properties and hermetic closure between the leveler and the floor.

Maximum compressive strength (static load) as in the table, maximum tensile strength (static load) 4.000 N

S400

STAINLESS STEEL LEVELER
WITH FULLY THREADED SPINDLE

Main features:

- Overmolded baseplate in austenitic stainless steel
- Spindle in austenitic stainless steel
- Washer in austenitic stainless steel
- Vulcanized anti-slip NBR rubber
- Single floor fixation



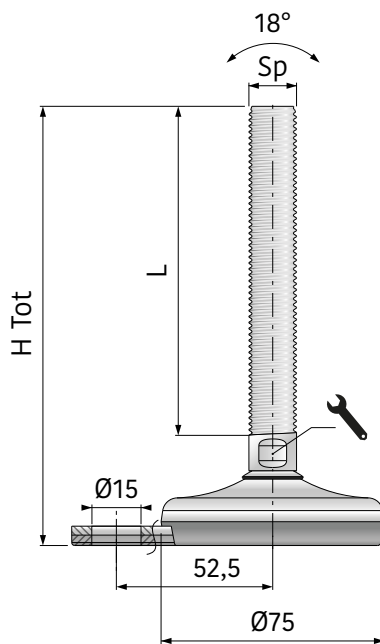
DIAMETER

75
mm

ANTI-SLIP



FIXING



Art-Nr.	Sp	H Tot (mm)	L (mm)	Wrench (mm)	Load (N)
901233	M12	88,3	50,8	10	8.000
901234		118,3	80,8	10	
901235		148,3	110,8	10	
901236		178,3	140,8	10	
901237	M16	88,3	51,3	13	8.000
901238		118,3	81,3	13	
901239		148,3	111,3	13	
901240		178,3	141,3	13	
901241		228,3	191,3	13	
901242	M20	88,3	52,3	17	8.000
901243		118,3	82,3	17	
901244		148,3	112,3	17	
901245		178,3	142,3	17	
901246		228,3	192,3	17	
901247		288,3	252,3	17	
901248	M24	119,5	76	19	8.000
901249		149,5	106	19	
901250		179,5	136	19	
901251		229,5	186	19	
901252		289,5	246	19	
901253	M30	149,5	106	24	8.000
901254		179,5	136	24	
901255		229,5	186	24	
901256		289,5	246	24	
901257		339,5	296	24	

The S400 series, with overmolded base plate in austenitic stainless steel, fully threaded spindle and stainless steel washer is the best choice for industrial environments where a high level of hygiene is required.

The stainless steel baseplate and its particular shape guarantee an excellent cleanability, even in critical conditions; the stainless steel washer ensures complete closure between the spindle and the baseplate and the NBR rubber guarantees anti-slip proprieties and hermetic closure between the leveler and the floor.

Maximum compressive strength (static load) as in the table, maximum tensile strength (static load) 4.000 N

DIAMETER

80
mm

ANTI-SLIP



FIXING

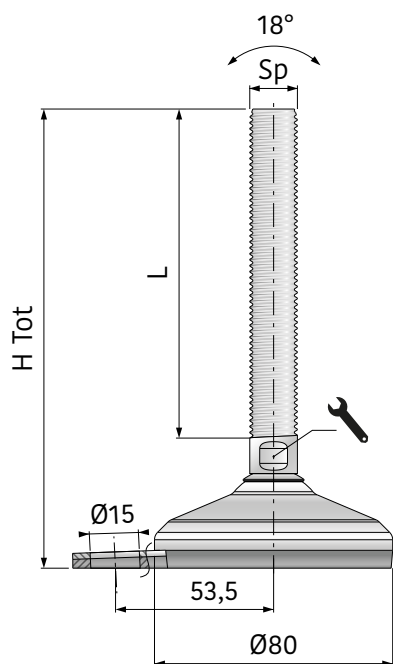


S400

STAINLESS STEEL LEVELER
WITH FULLY THREADED SPINDLE

Main features:

- Overmolded baseplate in austenitic stainless steel
- Spindle in austenitic stainless steel
- Washer in austenitic stainless steel
- Vulcanized anti-slip NBR rubber
- Single floor fixation



Art-Nr.	Sp	H Tot (mm)	L (mm)	Wrench (mm)	Load (N)
901258	M12	95	50,8	10	12.000
901259		125	80,8	10	
901260		155	110,8	10	
901261		185	140,8	10	
901262	M16	95	51,3	13	15.000
901263		125	81,3	13	
901264		155	111,3	13	
901265		185	141,3	13	
901266		235	191,3	13	
901267	M20	95	52,3	17	15.000
901268		125	82,3	17	
901269		155	112,3	17	
901270		185	142,3	17	
901271		235	192,3	17	
901272		295	252,3	17	
901273	M24	125	76	19	15.000
901274		155	106	19	
901275		185	136	19	
901276		235	186	19	
901277		295	246	19	
901278	M30	155	106	24	15.000
901279		185	136	24	
901280		235	186	24	
901281		295	246	24	
901282		345	296	24	

The S400 series, with overmolded base plate in austenitic stainless steel, fully threaded spindle and stainless steel washer is the best choice for industrial environments where a high level of hygiene is required.

The stainless steel baseplate and its particular shape guarantee an excellent cleanability, even in critical conditions; the stainless steel washer ensures complete closure between the spindle and the baseplate and the NBR rubber guarantees anti-slip properties and hermetic closure between the leveler and the floor.

Maximum compressive strength (static load) as in the table, maximum tensile strength (static load) 4.000 N

S400

STAINLESS STEEL LEVELER
WITH FULLY THREADED SPINDLE

Main features:

- Overmolded baseplate in austenitic stainless steel
- Spindle in austenitic stainless steel
- Washer in austenitic stainless steel
- Vulcanized anti-slip NBR rubber
- Single floor fixation



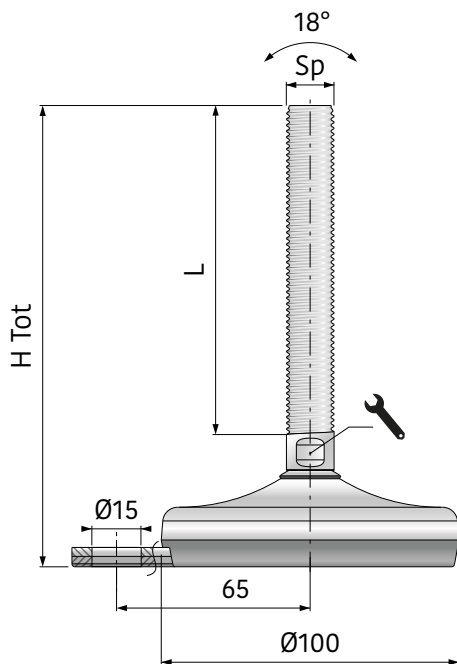
DIAMETER

100
mm

ANTI-SLIP



FIXING



Art-Nr.	Sp	H Tot (mm)	L (mm)	Washer (mm)	Load (N)
901283	M16	93,5	51,3	13	20.000
901284		123,5	81,3	13	
901285		153,5	111,3	13	
901286		183,5	141,3	13	
901287		233,5	191,3	13	
901288	M20	93,5	52,3	17	20.000
901289		123,5	82,3	17	
901290		153,5	112,3	17	
901291		183,5	142,3	17	
901292		233,5	192,3	17	
901293	293,5	252,3	17		
901294	M24	126,7	76	19	20.000
901295		156,7	106	19	
901296		186,7	136	19	
901297		236,7	186	19	
901298		296,7	246	19	
901299	M30	156,7	106	24	20.000
901300		186,7	136	24	
901301		236,7	186	24	
901302		296,7	246	24	
901303		346,7	296	24	
901304	M36	186,7	136	30	20.000
901305		236,7	186	30	
901306		296,7	246	30	
901307		346,7	296	30	

The S400 series, with overmolded base plate in austenitic stainless steel, fully threaded spindle and stainless steel washer is the best choice for industrial environments where a high level of hygiene is required.

The stainless steel baseplate and its particular shape guarantee an excellent cleanability, even in critical conditions; the stainless steel washer ensures complete closure between the spindle and the baseplate and the NBR rubber guarantees anti-slip proprieties and hermetic closure between the leveler and the floor.

Maximum compressive strength (static load) as in the table, maximum tensile strength (static load) 4.000 N

DIAMETER

105
mm

S400

STAINLESS STEEL LEVELER
WITH FULLY THREADED SPINDLE

ANTI-SLIP

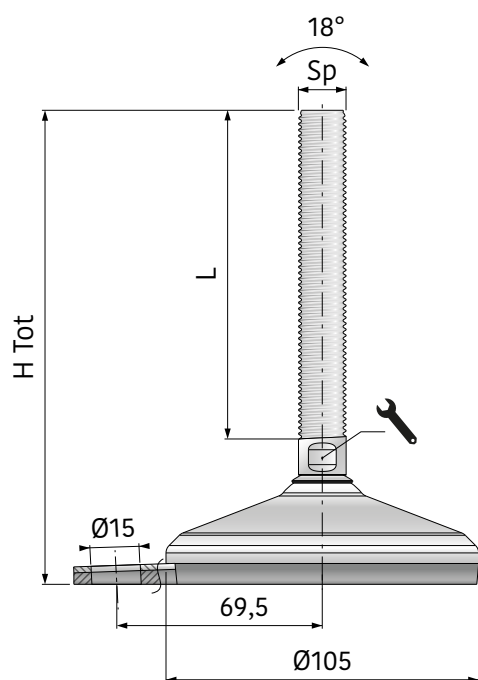


FIXING



Main features:

- Overmolded baseplate in austenitic stainless steel
- Spindle in austenitic stainless steel
- Washer in austenitic stainless steel
- Vulcanized anti-slip NBR rubber
- Single floor fixation



Art-Nr.	Sp	H Tot (mm)	L (mm)	Wrench (mm)	Load (N)
901308	M16	100	51,3	13	25.000
901309		130	81,3	13	
901310		160	111,3	13	
901311		190	141,3	13	
901312		240	191,3	13	
901313	M20	100	52,3	17	25.000
901314		130	82,3	17	
901315		160	112,3	17	
901316		190	142,3	17	
901317		240	192,3	17	
901318	300	252,3	17		
901319	M24	130	76	19	25.000
901320		160	106	19	
901321		190	136	19	
901322		240	186	19	
901323		300	246	19	
901324	M30	160	106	24	25.000
901325		190	136	24	
901326		240	186	24	
901327		300	246	24	
901328		350	296	24	
901329	M36	190	136	30	25.000
901330		240	186	30	
901331		300	246	30	
901332		350	296	30	

The S400 series, with overmolded base plate in austenitic stainless steel, fully threaded spindle and stainless steel washer is the best choice for industrial environments where a high level of hygiene is required.

The stainless steel baseplate and its particular shape guarantee an excellent cleanability, even in critical conditions; the stainless steel washer ensures complete closure between the spindle and the baseplate and the NBR rubber guarantees anti-slip properties and hermetic closure between the leveler and the floor.

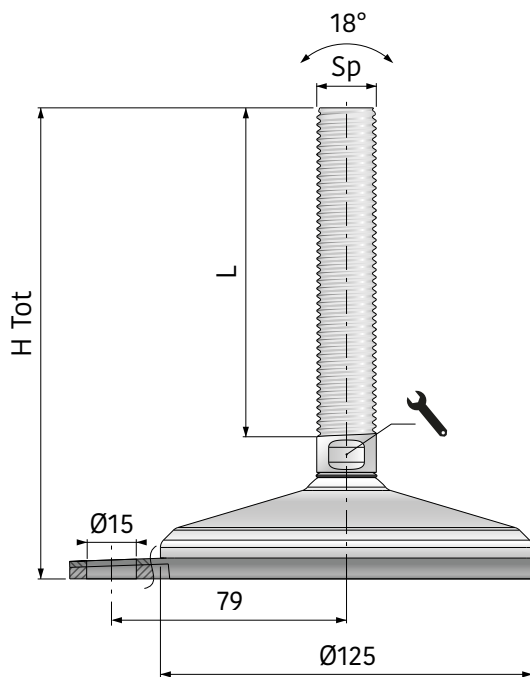
Maximum compressive strength (static load) as in the table, maximum tensile strength (static load) 4.000 N

S400

STAINLESS STEEL LEVELER
WITH FULLY THREADED SPINDLE

Main features:

- Overmolded baseplate in austenitic stainless steel
- Spindle in austenitic stainless steel
- Washer in austenitic stainless steel
- Vulcanized anti-slip NBR rubber
- Single floor fixation



Art-Nr.	Sp	H Tot (mm)	L (mm)	Washer (mm)	Load (N)
901333	M20	100	52,3	17	30.000
901334		130	82,3	17	
901335		160	112,3	17	
901336		190	142,3	17	
901337		240	192,3	17	
901338		300	252,3	17	
901339	M24	130	76	19	30.000
901340		160	106	19	
901341		190	136	19	
901342		240	186	19	
901343		300	246	19	
901344	M30	160	106	24	30.000
901345		190	136	24	
901346		240	186	24	
901347		300	246	24	
901348		350	296	24	
901349	M36	190	136	30	30.000
901350		240	186	30	
901351		300	246	30	
901352		350	296	30	

The S400 series, with overmolded base plate in austenitic stainless steel, fully threaded spindle and stainless steel washer is the best choice for industrial environments where a high level of hygiene is required.

The stainless steel baseplate and its particular shape guarantee an excellent cleanability, even in critical conditions; the stainless steel washer ensures complete closure between the spindle and the baseplate and the NBR rubber guarantees anti-slip proprieties and hermetic closure between the leveler and the floor.

Maximum compressive strength (static load) as in the table, maximum tensile strength (static load) 4.000 N

DIAMETER

60
mm

ANTI-SLIP



SPLIT VERSION

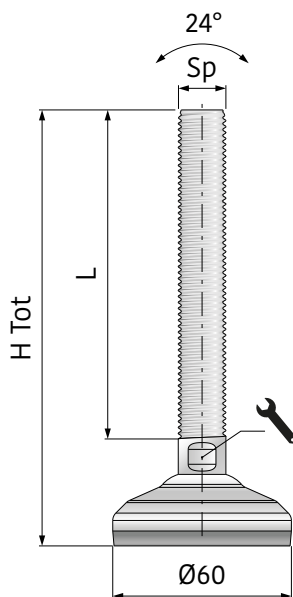


S400 SPLIT

STAINLESS STEEL LEVELER
WITH FULLY THREADED SPINDLE

Main features:

- Overmolded baseplate in austenitic stainless steel
- Spindle in austenitic stainless steel
- Separate spindle and baseplate
- Vulcanized anti-slip NBR rubber



Art-Nr.	Sp	H Tot (mm)	L (mm)	Wrench (mm)	Load (N)
901353	M10	89	50,5	7	3.000
901354		119	80,5	7	
901355		149	110,5	7	
901356	M12	89	50,8	10	4.500
901357		119	80,8	10	
901358		149	110,8	10	
901359		179	140,8	10	
901360	M16	89	51,3	13	4.500
901361		119	81,3	13	
901362		149	111,3	13	
901363		179	141,3	13	
901364		229	191,3	13	
901365	M20	89	52,3	17	4.500
901366		119	82,3	17	
901367		149	112,3	17	
901368		179	142,3	17	
901369		229	192,3	17	
901370		289	252,3	17	

The S400-SPLIT series, with overmolded base plate in austenitic stainless steel and separate fully threaded spindle is the best choice for industrial environments where a high level of hygiene is required.

The stainless steel baseplate and its particular shape guarantee an excellent cleanability, even in critical conditions and the NBR rubber guarantees anti-slip proprieties and hermetic closure between the leveler and the floor.

Maximum compressive strength (static load) as in the table, maximum tensile strength (static load) not available because the baseplate and the spindle are separate.

S400 SPLIT

STAINLESS STEEL LEVELER
WITH FULLY THREADED SPINDLE

Main features:

- Overmolded baseplate in austenitic stainless steel
- Spindle in austenitic stainless steel
- Separate spindle and baseplate
- Vulcanized anti-slip NBR rubber



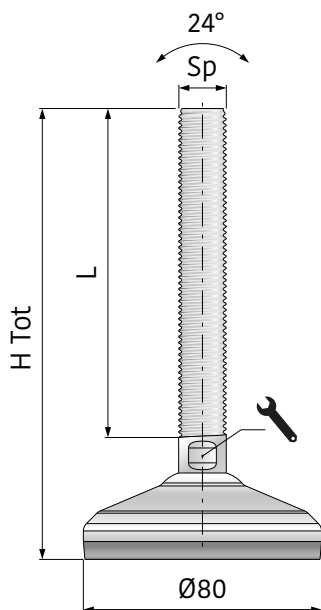
DIAMETER

80
mm

ANTI-SLIP



SPLIT VERSION



Art-Nr.	Sp	H Tot (mm)	L (mm)	Wrench (mm)	Load (N)
901371	M12	94	50,8	10	12.000
901372		124	80,8	10	
901373		154	110,8	10	
901374		184	140,8	10	
901375	M16	94	51,3	13	15.000
901376		124	81,3	13	
901377		154	111,3	13	
901378		184	141,3	13	
901379		234	191,3	13	
901380	M20	94	52,3	17	15.000
901381		124	82,3	17	
901382		154	112,3	17	
901383		184	142,3	17	
901384		234	192,3	17	
901385		294	252,3	17	
901386	M24	125	76	19	15.000
901387		155	106	19	
901388		185	136	19	
901389		235	186	19	
901390		295	246	19	
901391	M30	155	106	24	15.000
901392		185	136	24	
901393		235	186	24	
901394		295	246	24	
901395		345	296	24	

The S400-SPLIT series, with overmolded base plate in austenitic stainless steel and separate fully threaded spindle is the best choice for industrial environments where a high level of hygiene is required.

The stainless steel baseplate and its particular shape guarantee an excellent cleanability, even in critical conditions and the NBR rubber guarantees anti-slip proprieties and hermetic closure between the leveler and the floor.

Maximum compressive strength (static load) as in the table, maximum tensile strength (static load) not available because the baseplate and the spindle are separate.

DIAMETER

105
mm

ANTI-SLIP



SPLIT VERSION

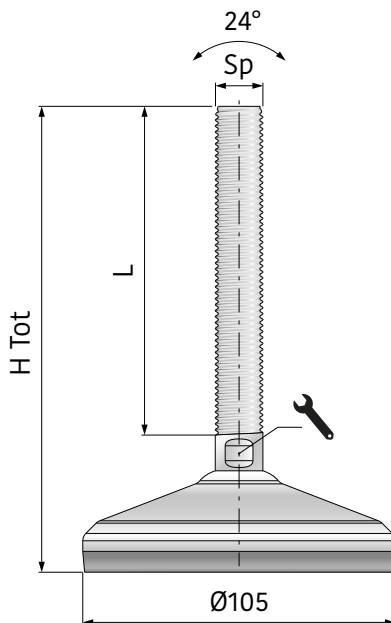


S400 SPLIT

STAINLESS STEEL LEVELER
WITH FULLY THREADED SPINDLE

Main features:

- Overmolded baseplate in austenitic stainless steel
- Spindle in austenitic stainless steel
- Separate spindle and baseplate
- Vulcanized anti-slip NBR rubber



Art-Nr.	Sp	H Tot (mm)	L (mm)	Wrench (mm)	Load (N)
901396	M16	99	51,3	13	25.000
901397		129	81,3	13	
901398		159	111,3	13	
901399		189	141,3	13	
901400		239	191,3	13	
901401	M20	99	52,3	17	25.000
901402		129	82,3	17	
901403		159	112,3	17	
901404		189	142,3	17	
901405		239	192,3	17	
901406		299	252,3	17	
901407	M24	130	76	19	25.000
901408		160	106	19	
901409		190	136	19	
901410		240	186	19	
901411		300	246	19	
901412	M30	160	106	24	25.000
901413		190	136	24	
901414		240	186	24	
901415		300	246	24	
901416		350	296	24	
901417	M36	190	136	30	25.000
901418		240	186	30	
901419		300	246	30	
901420		350	296	30	

The S400-SPLIT series, with overmolded base plate in austenitic stainless steel and separate fully threaded spindle is the best choice for industrial environments where a high level of hygiene is required.

The stainless steel baseplate and its particular shape guarantee an excellent cleanability, even in critical conditions and the NBR rubber guarantees anti-slip proprieties and hermetic closure between the leveler and the floor.

Maximum compressive strength (static load) as in the table, maximum tensile strength (static load) not available because the baseplate and the spindle are separate.

S400 SPLIT

STAINLESS STEEL LEVELER
WITH FULLY THREADED SPINDLE

Main features:

- Overmolded baseplate in austenitic stainless steel
- Spindle in austenitic stainless steel
- Separate spindle and baseplate
- Vulcanized anti-slip NBR rubber

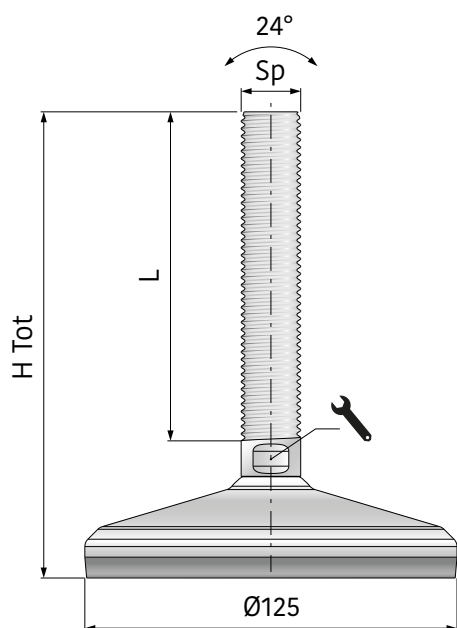


DIAMETER

125
mm

ANTI-SLIP

SPLIT VERSION



Art-Nr.	Sp	H Tot (mm)	L (mm)	Wrench (mm)	Load (N)
901421	M20	99	52,3	17	30.000
901422		129	82,3	17	
901423		159	112,3	17	
901424		189	142,3	17	
901425		239	192,3	17	
901426		299	252,3	17	
901427	M24	130	76	19	30.000
901428		160	106	19	
901429		190	136	19	
901430		240	186	19	
901431		300	246	19	
901432	M30	160	106	24	30.000
901433		190	136	24	
901434		240	186	24	
901435		300	246	24	
901436		350	296	24	
901437	M36	190	136	30	30.000
901438		240	186	30	
901439		300	246	30	
901440		350	296	30	

The S400-SPLIT series, with overmolded base plate in austenitic stainless steel and separate fully threaded spindle is the best choice for industrial environments where a high level of hygiene is required.

The stainless steel baseplate and its particular shape guarantee an excellent cleanability, even in critical conditions and the NBR rubber guarantees anti-slip proprieties and hermetic closure between the leveler and the floor.

Maximum compressive strength (static load) as in the table, maximum tensile strength (static load) not available because the baseplate and the spindle are separate.

DIAMETER

150
mm

ANTI-SLIP



SPLIT VERSION

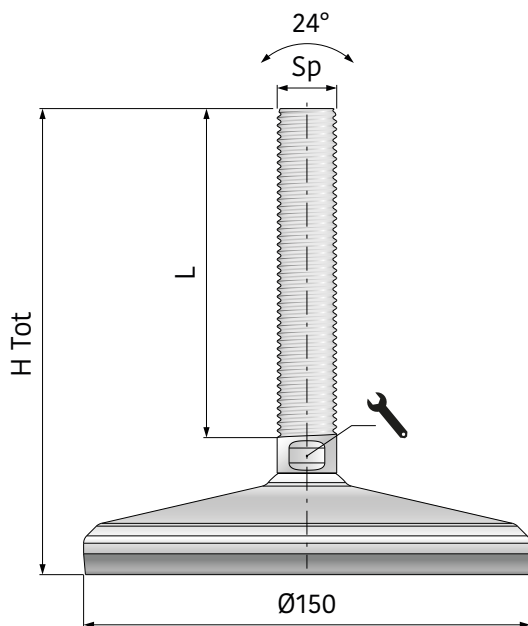


S400 SPLIT

STAINLESS STEEL LEVELER
WITH FULLY THREADED SPINDLE

Main features:

- Overmolded baseplate in austenitic stainless steel
- Spindle in austenitic stainless steel
- Separate spindle and baseplate
- Vulcanized anti-slip NBR rubber



Art-Nr.	Sp	H Tot (mm)	L (mm)	Wrench (mm)	Load (N)
901441	M20	99	52,3	17	45.000
901442		129	82,3	17	
901443		159	112,3	17	
901444		189	142,3	17	
901445		239	192,3	17	
901446		299	252,3	17	
901447	M24	130	76	19	45.000
901448		160	106	19	
901449		190	136	19	
901450		240	186	19	
901451		300	246	19	
901452	M30	160	106	24	45.000
901453		190	136	24	
901454		240	186	24	
901455		300	246	24	
901456		350	296	24	
901457	M36	190	136	30	45.000
901458		240	186	30	
901459		300	246	30	
901460		350	296	30	

The S400-SPLIT series, with overmolded base plate in austenitic stainless steel and separate fully threaded spindle is the best choice for industrial environments where a high level of hygiene is required.

The stainless steel baseplate and its particular shape guarantee an excellent cleanability, even in critical conditions and the NBR rubber guarantees anti-slip proprieties and hermetic closure between the leveler and the floor.

Maximum compressive strength (static load) as in the table, maximum tensile strength (static load) not available because the baseplate and the spindle are separate.

S400 HEAVY

STAINLESS STEEL LEVELER
WITH FULLY THREADED SPINDLE

Main features:

- Full machined baseplate in austenitic stainless steel
- Spindle in austenitic stainless steel
- Washer in austenitic stainless steel

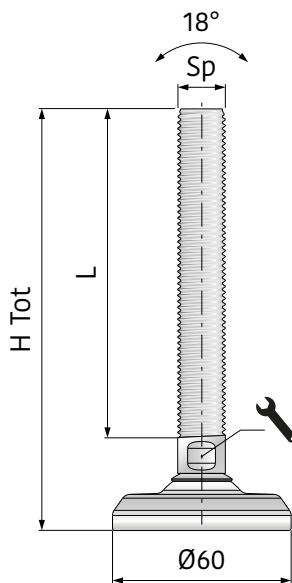


DIAMETER

60
mm

HIGH LOAD

Kg



Art-Nr.	Sp	H Tot (mm)	L (mm)	Wrench (mm)	Load (N)
901461	M10	82,5	50,5	7	3.000
901462		112,5	80,5	7	
901463		142,5	110,5	7	
901464	M12	82,5	50,8	10	12.000
901465		112,5	80,8	10	
901466		142,5	110,8	10	
901467		172,5	140,8	10	
901468	M16	82,5	51,3	13	30.000
901469		112,5	81,3	13	
901470		142,5	111,3	13	
901471		172,5	141,3	13	
901472		222,5	191,3	13	
901473	M20	82,5	52,3	17	45.000
901474		112,5	82,3	17	
901475		142,5	112,3	17	
901476		172,5	142,3	17	
901477		222,5	192,3	17	
901478		282,5	252,3	17	

The S400-HEAVY series, with full machined baseplate in austenitic stainless steel, fully threaded spindle and stainless steel washer is the best choice for industrial environments where a high level of hygiene and high load are required.

The stainless steel baseplate and its particular shape guarantee high load resistance and an excellent cleanability, even in critical conditions and the stainless steel washer ensures complete closure between the spindle and the baseplate.

Maximum compressive strength (static load) as in the table, maximum tensile strength (static load) 8.000 N

DIAMETER

80
mm

HIGH LOAD

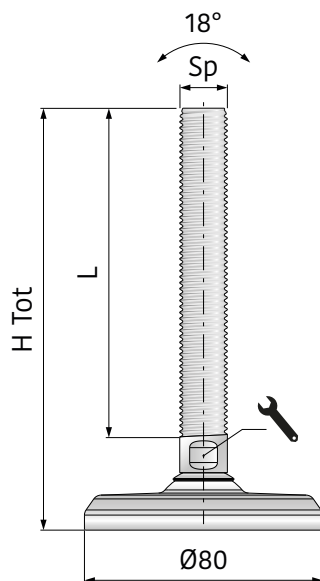
Kg

S400 HEAVY

STAINLESS STEEL LEVELER
WITH FULLY THREADED SPINDLE

Main features:

- Full machined baseplate in austenitic stainless steel
- Spindle in austenitic stainless steel
- Washer in austenitic stainless steel



Art-Nr.	Sp	H Tot (mm)	L (mm)	Wrench (mm)	Load (N)
901479	M12	82,5	50,8	10	12.000
901480		112,5	80,8	10	
901481		142,5	110,8	10	
901482		172,5	140,8	10	
901483	M16	82,5	51,3	13	30.000
901484		112,5	81,3	13	
901485		142,5	111,3	13	
901486		172,5	141,3	13	
901487		222,5	191,3	13	
901488	M20	82,5	52,3	17	45.000
901489		112,5	82,3	17	
901490		142,5	112,3	17	
901491		172,5	142,3	17	
901492		222,5	192,3	17	
901493		282,5	252,3	17	
901494	M24	112,5	76	19	70.000
901495		142,5	106	19	
901496		172,5	136	19	
901497		222,5	186	19	
901498		282,5	246	19	
901499	M30	142,5	106	24	80.000
901500		172,5	136	24	
901501		222,5	186	24	
901502		282,5	246	24	
901503		332,5	296	24	

The S400-HEAVY series, with full machined baseplate in austenitic stainless steel, fully threaded spindle and stainless steel washer is the best choice for industrial environments where a high level of hygiene and high load are required.

The stainless steel baseplate and its particular shape guarantee high load resistance and an excellent cleanability, even in critical conditions and the stainless steel washer ensures complete closure between the spindle and the baseplate.

Maximum compressive strength (static load) as in the table, maximum tensile strength (static load) 8.000 N

S400 HEAVY

STAINLESS STEEL LEVELER
WITH FULLY THREADED SPINDLE

Main features:

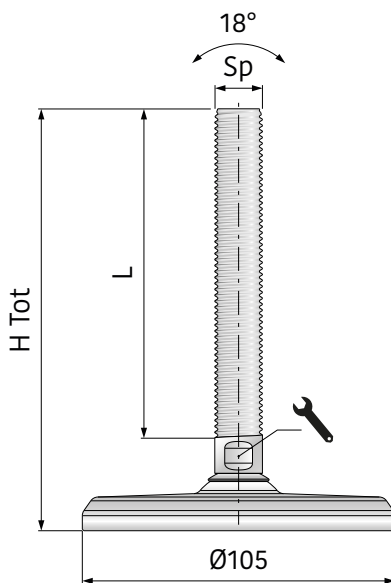
- Full machined baseplate in austenitic stainless steel
- Spindle in austenitic stainless steel
- Washer in austenitic stainless steel



DIAMETER

105
mm

HIGH LOAD



Art-Nr.	Sp	H Tot (mm)	L (mm)	Wrench (mm)	Load (N)
901504	M16	82,5	51,3	13	30.000
901505		112,5	81,3	13	
901506		142,5	111,3	13	
901507		172,5	141,3	13	
901508		222,5	191,3	13	
901509	M20	82,5	52,3	17	45.000
901510		112,5	82,3	17	
901511		142,5	112,3	17	
901512		172,5	142,3	17	
901513		222,5	192,3	17	
901514		282,5	252,3	17	
901515	M24	112,5	76	19	70.000
901516		142,5	106	19	
901517		172,5	136	19	
901518		222,5	186	19	
901519		282,5	246	19	
901520	M30	142,5	106	24	100.000
901521		172,5	136	24	
901522		222,5	186	24	
901523		282,5	246	24	
901524		332,5	296	24	
901525	M36	172,5	136	30	120.000
901526		222,5	186	30	
901527		282,5	246	30	
901528		332,5	296	30	

The S400-HEAVY series, with full machined baseplate in austenitic stainless steel, fully threaded spindle and stainless steel washer is the best choice for industrial environments where a high level of hygiene and high load are required.

The stainless steel baseplate and its particular shape guarantee high load resistance and an excellent cleanability, even in critical conditions and the stainless steel washer ensures complete closure between the spindle and the baseplate.

Maximum compressive strength (static load) as in the table, maximum tensile strength (static load) 8.000N

DIAMETER

125
mm

HIGH LOAD

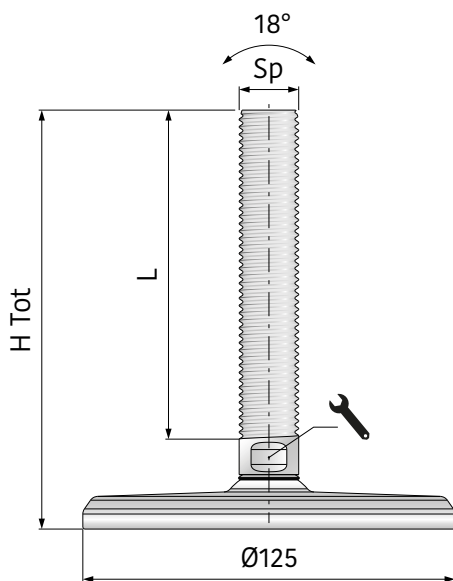
Kg

S400 HEAVY

STAINLESS STEEL LEVELER
WITH FULLY THREADED SPINDLE

Main features:

- Full machined baseplate in austenitic stainless steel
- Spindle in austenitic stainless steel
- Washer in austenitic stainless steel



Art-Nr.	Sp	H Tot (mm)	L (mm)	Washer (mm)	Load (N)
901529	M20	82,5	52,3	17	45.000
901530		112,5	82,3	17	
901531		142,5	112,3	17	
901532		172,5	142,3	17	
901533		222,5	192,3	17	
901534		282,5	252,3	17	
901535	M24	112,5	76	19	70.000
901536		142,5	106	19	
901537		172,5	136	19	
901538		222,5	186	19	
901539		282,5	246	19	
901540	M30	142,5	106	24	100.000
901541		172,5	136	24	
901542		222,5	186	24	
901543		282,5	246	24	
901544		332,5	296	24	
901545	M36	172,5	136	30	130.000
901546		222,5	186	30	
901547		282,5	246	30	
901548		332,5	296	30	

The S400-HEAVY series, with full machined baseplate in austenitic stainless steel, fully threaded spindle and stainless steel washer is the best choice for industrial environments where a high level of hygiene and high load are required.

The stainless steel baseplate and its particular shape guarantee high load resistance and an excellent cleanability, even in critical conditions and the stainless steel washer ensures complete closure between the spindle and the baseplate.

Maximum compressive strength (static load) as in the table, maximum tensile strength (static load) 8.000 N

S400 HEAVY

STAINLESS STEEL LEVELER
WITH FULLY THREADED SPINDLE

Main features:

- Full machined baseplate in austenitic stainless steel
- Spindle in austenitic stainless steel
- Washer in austenitic stainless steel

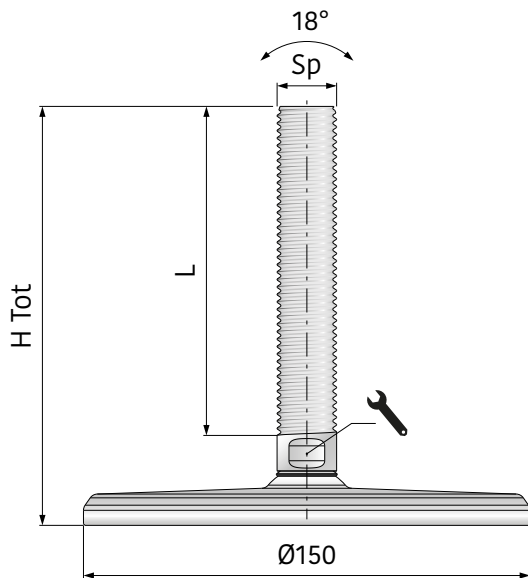


DIAMETER

150
mm

HIGH LOAD

Kg



Art-Nr.	Sp	H Tot (mm)	L (mm)	Washer (mm)	Load (N)
901549	M20	82,5	52,3	17	45.000
901550		112,5	82,3	17	
901551		142,5	112,3	17	
901552		172,5	142,3	17	
901553		222,5	192,3	17	
901554		282,5	252,3	17	
901555	M24	112,5	76	19	70.000
901556		142,5	106	19	
901557		172,5	136	19	
901558		222,5	186	19	
901559		282,5	246	19	
901560	M30	142,5	106	24	100.000
901561		172,5	136	24	
901562		222,5	186	24	
901563		282,5	246	24	
901564		332,5	296	24	
901565	M36	172,5	136	30	150.000
901566		222,5	186	30	
901567		282,5	246	30	
901568		332,5	296	30	

The S400-HEAVY series, with full machined baseplate in austenitic stainless steel, fully threaded spindle and stainless steel washer is the best choice for industrial environments where a high level of hygiene and high load are required.

The stainless steel baseplate and its particular shape guarantee high load resistance and an excellent cleanability, even in critical conditions and the stainless steel washer ensures complete closure between the spindle and the baseplate.

Maximum compressive strength (static load) as in the table, maximum tensile strength (static load) 8.000 N

DIAMETER

60
mm

HIGH LOAD

Kg

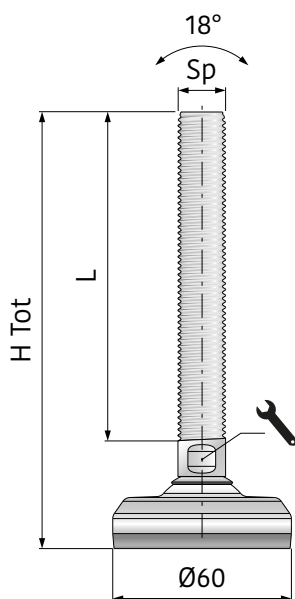
ANTI-SLIP

S400 HEAVY

STAINLESS STEEL LEVELER
WITH FULLY THREADED SPINDLE

Main features:

- Full machined baseplate in austenitic stainless steel
- Spindle in austenitic stainless steel
- Washer in austenitic stainless steel
- Vulcanized anti-slip NBR rubber



Art-Nr.	Sp	H Tot (mm)	L (mm)	Washer (mm)	Load (N)
901569	M10	87,5	50,5	7	3.000
901570		117,5	80,5	7	
901571		147,5	110,5	7	
901572	M12	88,5	50,8	10	12.000
901573		118,5	80,8	10	
901574		148,5	110,8	10	
901575		178,5	140,8	10	
901576	M16	88,5	51,3	13	30.000
901577		118,5	81,3	13	
901578		148,5	111,3	13	
901579		178,5	141,3	13	
901580		228,5	191,3	13	
901581	M20	88,5	52,3	17	45.000
901582		118,5	82,3	17	
901583		148,5	112,3	17	
901584		178,5	142,3	17	
901585		228,5	192,3	17	
901586		288,5	252,3	17	

The S400-HEAVY series, with full machined baseplate in austenitic stainless steel, fully threaded spindle and stainless steel washer is the best choice for industrial environments where a high level of hygiene and high load are required.

The stainless steel baseplate and its particular shape guarantee high load resistance and an excellent cleanability, even in critical conditions; the stainless steel washer ensures complete closure between the spindle and the baseplate and the NBR rubber guarantees anti-slip properties and hermetic closure between the leveler and the floor.

Maximum compressive strength (static load) as in the table, maximum tensile strength (static load) 8.000 N

S400 HEAVY

STAINLESS STEEL LEVELER
WITH FULLY THREADED SPINDLE

Main features:

- Full machined baseplate in austenitic stainless steel
- Spindle in austenitic stainless steel
- Washer in austenitic stainless steel
- Vulcanized anti-slip NBR rubber



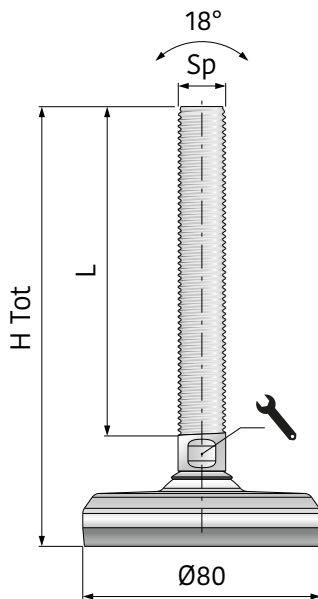
DIAMETER

80
mm

HIGH LOAD

Kg

ANTI-SLIP



Art-Nr.	Sp	H Tot (mm)	L (mm)	Wrench (mm)	Load (N)
901587	M12	88,5	50,8	10	12.000
901588		118,5	80,8	10	
901589		148,5	110,8	10	
901590		178,5	140,8	10	
901591	M16	88,5	51,3	13	30.000
901592		118,5	81,3	13	
901593		148,5	111,3	13	
901594		178,5	141,3	13	
901595		228,5	191,3	13	
901596	M20	88,5	52,3	17	45.000
901597		118,5	82,3	17	
901598		148,5	112,3	17	
901599		178,5	142,3	17	
901600		228,5	192,3	17	
901601		288,5	252,3	17	
901602	M24	118,5	76	19	70.000
901603		148,5	106	19	
901604		178,5	136	19	
901605		228,5	186	19	
901606		288,5	246	19	
901607	M30	148,5	106	24	80.000
901608		178,5	136	24	
901609		228,5	186	24	
901610		288,5	246	24	
901611		338,5	296	24	

The S400-HEAVY series, with full machined baseplate in austenitic stainless steel, fully threaded spindle and stainless steel washer is the best choice for industrial environments where a high level of hygiene and high load are required.

The stainless steel baseplate and its particular shape guarantee high load resistance and an excellent cleanability, even in critical conditions; the stainless steel washer ensures complete closure between the spindle and the baseplate and the NBR rubber guarantees anti-slip properties and hermetic closure between the leveler and the floor.

Maximum compressive strength (static load) as in the table, maximum tensile strength (static load) 8.000 N

DIAMETER

105
mm

HIGH LOAD



ANTI-SLIP

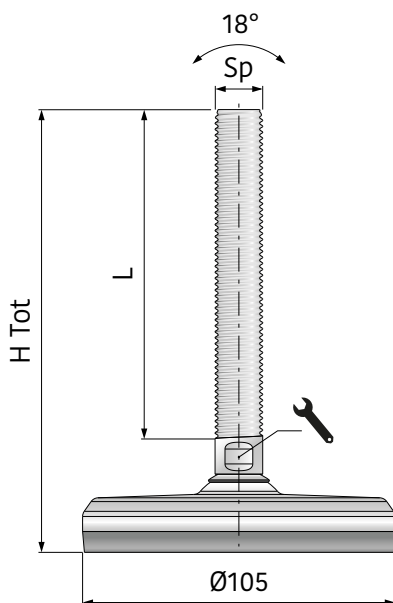


S400 HEAVY

STAINLESS STEEL LEVELER
WITH FULLY THREADED SPINDLE

Main features:

- Full machined baseplate in austenitic stainless steel
- Spindle in austenitic stainless steel
- Washer in austenitic stainless steel
- Vulcanized anti-slip NBR rubber



Art-Nr.	Sp	H Tot (mm)	L (mm)	Wrench (mm)	Load (N)
901612	M16	88,5	51,3	13	30.000
901613		118,5	81,3	13	
901614		148,5	111,3	13	
901615		178,5	141,3	13	
901616		228,5	191,3	13	
901617	M20	88,5	52,3	17	45.000
901618		118,5	82,3	17	
901619		148,5	112,3	17	
901620		178,5	142,3	17	
901621		228,5	192,3	17	
901622		288,5	252,3	17	
901623	M24	118,5	76	19	70.000
901624		148,5	106	19	
901625		178,5	136	19	
901626		228,5	186	19	
901627		288,5	246	19	
901628	M30	148,5	106	24	100.000
901629		178,5	136	24	
901630		228,5	186	24	
901631		288,5	246	24	
901632		338,5	296	24	
901633	M36	178,5	136	30	120.000
901634		228,5	186	30	
901635		288,5	246	30	
901636		338,5	296	30	

The S400-HEAVY series, with full machined baseplate in austenitic stainless steel, fully threaded spindle and stainless steel washer is the best choice for industrial environments where a high level of hygiene and high load are required.

The stainless steel baseplate and its particular shape guarantee high load resistance and an excellent cleanability, even in critical conditions; the stainless steel washer ensures complete closure between the spindle and the baseplate and the NBR rubber guarantees anti-slip properties and hermetic closure between the leveler and the floor.

Maximum compressive strength (static load) as in the table, maximum tensile strength (static load) 8.000 N

S400 HEAVY

STAINLESS STEEL LEVELER
WITH FULLY THREADED SPINDLE

Main features:

- Full machined baseplate in austenitic stainless steel
- Spindle in austenitic stainless steel
- Washer in austenitic stainless steel
- Vulcanized anti-slip NBR rubber



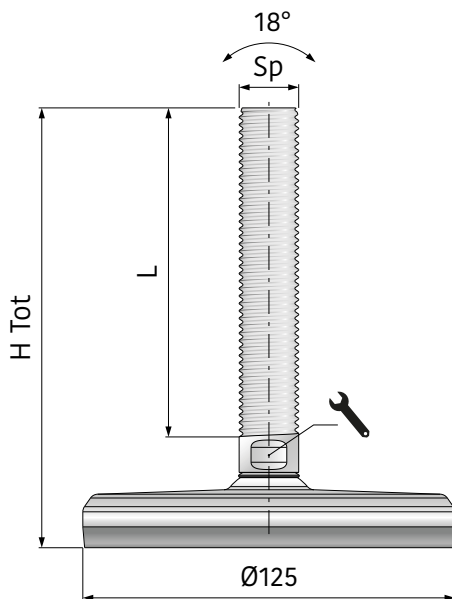
DIAMETER

125
mm

HIGH LOAD



ANTI-SLIP



Art-Nr.	Sp	H Tot (mm)	L (mm)	Wrench (mm)	Load (N)
901637	M20	88,5	52,3	17	45.000
901638		118,5	82,3	17	
901639		148,5	112,3	17	
901640		178,5	142,3	17	
901641		228,5	192,3	17	
901642		288,5	252,3	17	
901643	M24	118,5	76	19	70.000
901644		148,5	106	19	
901645		178,5	136	19	
901646		228,5	186	19	
901647		288,5	246	19	
901648	M30	148,5	106	24	100.000
901649		178,5	136	24	
901650		228,5	186	24	
901651		288,5	246	24	
901652		338,5	296	24	
901653	M36	178,5	136	30	130.000
901654		228,5	186	30	
901655		288,5	246	30	
901656		338,5	296	30	

The S400-HEAVY series, with full machined baseplate in austenitic stainless steel, fully threaded spindle and stainless steel washer is the best choice for industrial environments where a high level of hygiene and high load are required.

The stainless steel baseplate and its particular shape guarantee high load resistance and an excellent cleanability, even in critical conditions; the stainless steel washer ensures complete closure between the spindle and the baseplate and the NBR rubber guarantees anti-slip properties and hermetic closure between the leveler and the floor.

Maximum compressive strength (static load) as in the table, maximum tensile strength (static load) 8.000 N

DIAMETER

150
mm

HIGH LOAD

Kg

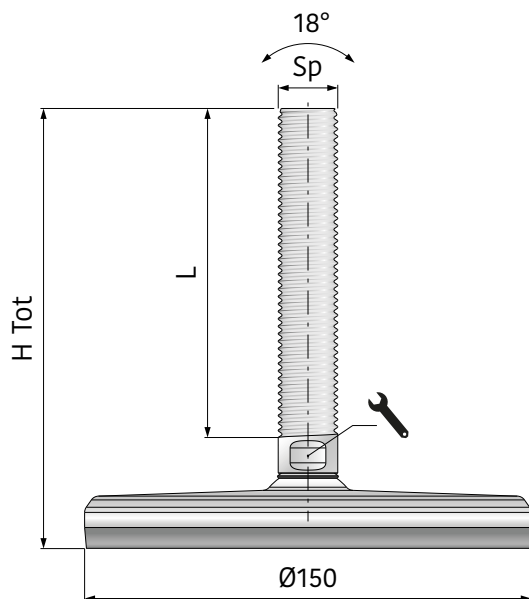
ANTI-SLIP

S400 HEAVY

STAINLESS STEEL LEVELER
WITH FULLY THREADED SPINDLE

Main features:

- Full machined baseplate in austenitic stainless steel
- Spindle in austenitic stainless steel
- Washer in austenitic stainless steel
- Vulcanized anti-slip NBR rubber



Art-Nr.	Sp	H Tot (mm)	L (mm)	Washer (mm)	Load (N)
901657	M20	88,5	52,3	17	45.000
901658		118,5	82,3	17	
901659		148,5	112,3	17	
901660		178,5	142,3	17	
901661		228,5	192,3	17	
901662		288,5	252,3	17	
901663	M24	118,5	76	19	70.000
901664		148,5	106	19	
901665		178,5	136	19	
901666		228,5	186	19	
901667		288,5	246	19	
901668	M30	148,5	106	24	100.000
901669		178,5	136	24	
901670		228,5	186	24	
901671		288,5	246	24	
901672		338,5	296	24	
901673	M36	178,5	136	30	150.000
901674		228,5	186	30	
901675		288,5	246	30	
901676		338,5	296	30	

The S400-HEAVY series, with full machined baseplate in austenitic stainless steel, fully threaded spindle and stainless steel washer is the best choice for industrial environments where a high level of hygiene and high load are required.

The stainless steel baseplate and its particular shape guarantee high load resistance and an excellent cleanability, even in critical conditions; the stainless steel washer ensures complete closure between the spindle and the baseplate and the NBR rubber guarantees anti-slip properties and hermetic closure between the leveler and the floor.

Maximum compressive strength (static load) as in the table, maximum tensile strength (static load) 8.000 N

S400 HEAVY

STAINLESS STEEL LEVELER
WITH FULLY THREADED SPINDLE

Main features:

- Full machined baseplate in austenitic stainless steel
- Spindle in austenitic stainless steel
- Washer in austenitic stainless steel
- Double floor fixation



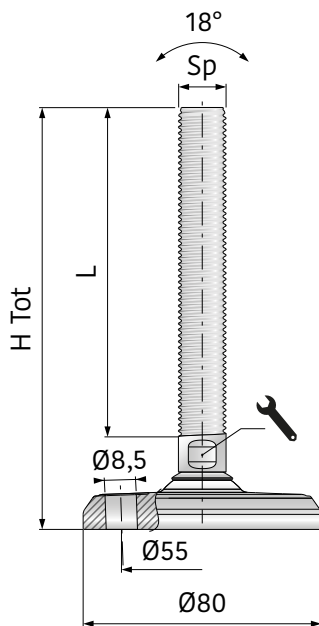
DIAMETER

80
mm

HIGH LOAD

Kg

FIXING



Art-Nr.	Sp	H Tot (mm)	L (mm)	Wrench (mm)	Load (N)
901695	M12	82,5	50,8	10	12.000
901696		112,5	80,8	10	
901697		142,5	110,8	10	
901698		172,5	140,8	10	
901699	M16	82,5	51,3	13	30.000
901700		112,5	81,3	13	
901701		142,5	111,3	13	
901702		172,5	141,3	13	
901703		222,5	191,3	13	
901704	M20	82,5	52,3	17	45.000
901705		112,5	82,3	17	
901706		142,5	112,3	17	
901707		172,5	142,3	17	
901708		222,5	192,3	17	
901709		282,5	252,3	17	
901710	M24	112,5	76	19	70.000
901711		142,5	106	19	
901712		172,5	136	19	
901713		222,5	186	19	
901714		282,5	246	19	
901715	M30	142,5	106	24	80.000
901716		172,5	136	24	
901717		222,5	186	24	
901718		282,5	246	24	
901719		332,5	296	24	

The S400-HEAVY series, with full machined baseplate in austenitic stainless steel, fully threaded spindle and stainless steel washer is the best choice for industrial environments where a high level of hygiene and high load are required.

The stainless steel baseplate and its particular shape guarantee high load resistance and an excellent cleanability, even in critical conditions and the stainless steel washer ensures complete closure between the spindle and the baseplate.

Maximum compressive strength (static load) as in the table, maximum tensile strength (static load) 8.000 N

DIAMETER

105
mm

HIGH LOAD



FIXING

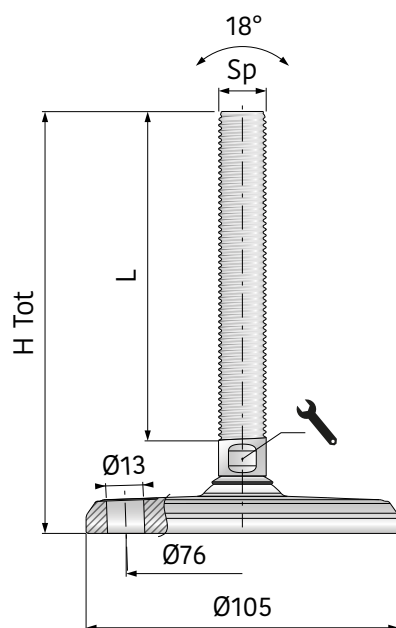


S400 HEAVY

STAINLESS STEEL LEVELER
WITH FULLY THREADED SPINDLE

Main features:

- Full machined baseplate in austenitic stainless steel
- Spindle in austenitic stainless steel
- Washer in austenitic stainless steel
- Double floor fixation



Art-Nr.	Sp	H Tot (mm)	L (mm)	Wrench (mm)	Load (N)
901720	M16	82,5	51,3	13	30.000
901721		112,5	81,3	13	
901722		142,5	111,3	13	
901723		172,5	141,3	13	
901724		222,5	191,3	13	
901725	M20	82,5	52,3	17	45.000
901726		112,5	82,3	17	
901727		142,5	112,3	17	
901728		172,5	142,3	17	
901729		222,5	192,3	17	
901730		282,5	252,3	17	
901731	M24	112,5	76	19	70.000
901732		142,5	106	19	
901733		172,5	136	19	
901734		222,5	186	19	
901735		282,5	246	19	
901736	M30	142,5	106	24	100.000
901737		172,5	136	24	
901738		222,5	186	24	
901739		282,5	246	24	
901740		332,5	296	24	
901741	M36	172,5	136	30	120.000
901742		222,5	186	30	
901743		282,5	246	30	
901744		332,5	296	30	

The S400-HEAVY series, with full machined baseplate in austenitic stainless steel, fully threaded spindle and stainless steel washer is the best choice for industrial environments where a high level of hygiene and high load are required.

The stainless steel baseplate and its particular shape guarantee high load resistance and an excellent cleanability, even in critical conditions and the stainless steel washer ensures complete closure between the spindle and the baseplate.

Maximum compressive strength (static load) as in the table, maximum tensile strength (static load) 8.000 N

S400 HEAVY

STAINLESS STEEL LEVELER
WITH FULLY THREADED SPINDLE

Main features:

- Full machined baseplate in austenitic stainless steel
- Spindle in austenitic stainless steel
- Washer in austenitic stainless steel
- Double floor fixation



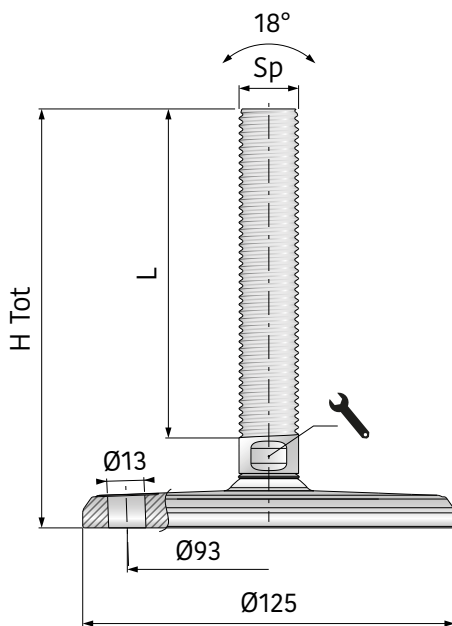
DIAMETER

125
mm

HIGH LOAD



FIXING



Art-Nr.	Sp	H Tot (mm)	L (mm)	Washer (mm)	Load (N)
901745	M20	82,5	52,3	17	45.000
901746		112,5	82,3	17	
901747		142,5	112,3	17	
901748		172,5	142,3	17	
901749		222,5	192,3	17	
901750		282,5	252,3	17	
901751	M24	112,5	76	19	70.000
901752		142,5	106	19	
901753		172,5	136	19	
901754		222,5	186	19	
901755		282,5	246	19	
901756	M30	142,5	106	24	100.000
901757		172,5	136	24	
901758		222,5	186	24	
901759		282,5	246	24	
901760		332,5	296	24	
901761	M36	172,5	136	30	130.000
901762		222,5	186	30	
901763		282,5	246	30	
901764		332,5	296	30	

The S400-HEAVY series, with full machined baseplate in austenitic stainless steel, fully threaded spindle and stainless steel washer is the best choice for industrial environments where a high level of hygiene and high load are required.

The stainless steel baseplate and its particular shape guarantee high load resistance and an excellent cleanability, even in critical conditions and the stainless steel washer ensures complete closure between the spindle and the baseplate.

Maximum compressive strength (static load) as in the table, maximum tensile strength (static load) 8.000 N

DIAMETER

150
mm

HIGH LOAD



FIXING

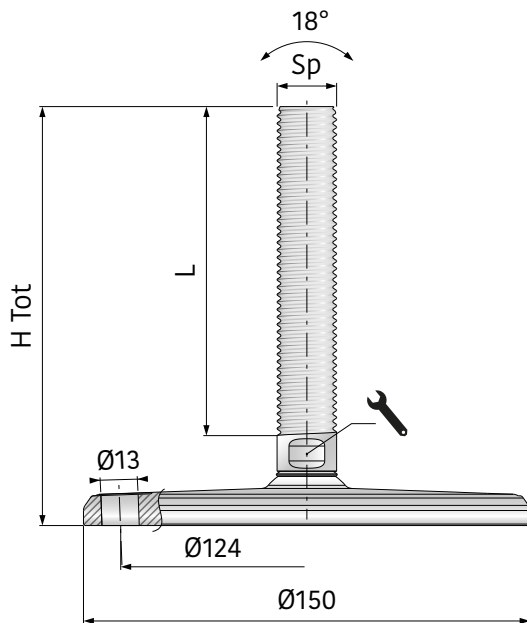


S400 HEAVY

STAINLESS STEEL LEVELER
WITH FULLY THREADED SPINDLE

Main features:

- Full machined baseplate in austenitic stainless steel
- Spindle in austenitic stainless steel
- Washer in austenitic stainless steel
- Double floor fixation



Art-Nr.	Sp	H Tot (mm)	L (mm)	Washer (mm)	Load (N)
901765	M20	82,5	52,3	17	45.000
901766		112,5	82,3	17	
901767		142,5	112,3	17	
901768		172,5	142,3	17	
901769		222,5	192,3	17	
901770		282,5	252,3	17	
901771	M24	112,5	76	19	70.000
901772		142,5	106	19	
901773		172,5	136	19	
901774		222,5	186	19	
901775		282,5	246	19	
901776	M30	142,5	106	24	100.000
901777		172,5	136	24	
901778		222,5	186	24	
901779		282,5	246	24	
901780		332,5	296	24	
901781	M36	172,5	136	30	150.000
901782		222,5	186	30	
901783		282,5	246	30	
901784		332,5	296	30	

The S400-HEAVY series, with full machined baseplate in austenitic stainless steel, fully threaded spindle and stainless steel washer is the best choice for industrial environments where a high level of hygiene and high load are required.

The stainless steel baseplate and its particular shape guarantee high load resistance and an excellent cleanability, even in critical conditions and the stainless steel washer ensures complete closure between the spindle and the baseplate.

Maximum compressive strength (static load) as in the table, maximum tensile strength (static load) 8.000 N

S400 HEAVY

STAINLESS STEEL LEVELER
WITH FULLY THREADED SPINDLE

Main features:

- Full machined baseplate in austenitic stainless steel
- Spindle in austenitic stainless steel
- Washer in austenitic stainless steel
- Vulcanized anti-slip NBR rubber
- Double floor fixation



DIAMETER

80
mm

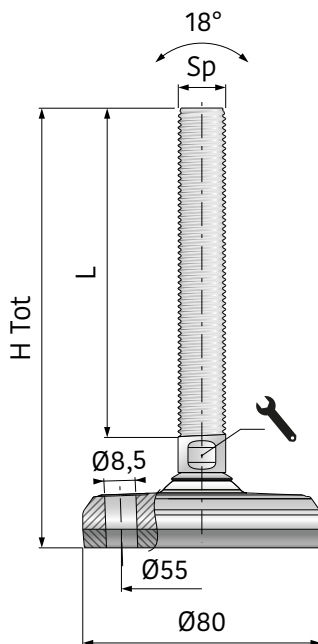
HIGH LOAD

Kg

FIXING



ANTI-SLIP



Art-Nr.	Sp	H Tot (mm)	L (mm)	Wrench (mm)	Load (N)
901803	M12	88,5	50,8	10	12.000
901804		118,5	80,8	10	
901805		148,5	110,8	10	
901806		178,5	140,8	10	
901807	M16	88,5	51,3	13	30.000
901808		118,5	81,3	13	
901809		148,5	111,3	13	
901810		178,5	141,3	13	
901811		228,5	191,3	13	
901812	M20	88,5	52,3	17	45.000
901813		118,5	82,3	17	
901814		148,5	112,3	17	
901815		178,5	142,3	17	
901816		228,5	192,3	17	
901817		288,5	252,3	17	
901818	M24	118,5	76	19	70.000
901819		148,5	106	19	
901820		178,5	136	19	
901821		228,5	186	19	
901822		288,5	246	19	
901823	M30	148,5	106	24	80.000
901824		178,5	136	24	
901825		228,5	186	24	
901826		288,5	246	24	
901827		338,5	296	24	

The S400-HEAVY series, with full machined baseplate in austenitic stainless steel, fully threaded spindle and stainless steel washer is the best choice for industrial environments where a high level of hygiene and high load are required.

The stainless steel baseplate and its particular shape guarantee high load resistance and an excellent cleanability, even in critical conditions; the stainless steel washer ensures complete closure between the spindle and the baseplate and the NBR rubber guarantees anti-slip properties and hermetic closure between the leveler and the floor.

Maximum compressive strength (static load) as in the table, maximum tensile strength (static load) 8.000 N

DIAMETER

105
mm

HIGH LOAD



FIXING



ANTI-SLIP

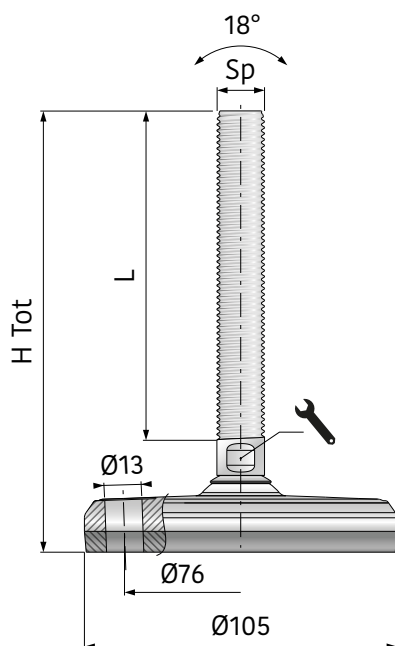


S400 HEAVY

STAINLESS STEEL LEVELER
WITH FULLY THREADED SPINDLE

Main features:

- Full machined baseplate in austenitic stainless steel
- Spindle in austenitic stainless steel
- Washer in austenitic stainless steel
- Vulcanized anti-slip NBR rubber
- Double floor fixation



Art-Nr.	Sp	H Tot (mm)	L (mm)	Washer (mm)	Load (N)
901828	M16	88,5	51,3	13	30.000
901829		118,5	81,3	13	
901830		148,5	111,3	13	
901831		178,5	141,3	13	
901832		228,5	191,3	13	
901833	M20	88,5	52,3	17	45.000
901834		118,5	82,3	17	
901835		148,5	112,3	17	
901836		178,5	142,3	17	
901837		228,5	192,3	17	
901838		288,5	252,3	17	
901839	M24	118,5	76	19	70.000
901840		148,5	106	19	
901841		178,5	136	19	
901842		228,5	186	19	
901843		288,5	246	19	
901844	M30	148,5	106	24	100.000
901845		178,5	136	24	
901846		228,5	186	24	
901847		288,5	246	24	
901848		338,5	296	24	
901849	M36	178,5	136	30	120.000
901850		228,5	186	30	
901851		288,5	246	30	
901852		338,5	296	30	

The S400-HEAVY series, with full machined baseplate in austenitic stainless steel, fully threaded spindle and stainless steel washer is the best choice for industrial environments where a high level of hygiene and high load are required.

The stainless steel baseplate and its particular shape guarantee high load resistance and an excellent cleanability, even in critical conditions; the stainless steel washer ensures complete closure between the spindle and the baseplate and the NBR rubber guarantees anti-slip properties and hermetic closure between the leveler and the floor.

Maximum compressive strength (static load) as in the table, maximum tensile strength (static load) 8.000 N

S400 HEAVY

STAINLESS STEEL LEVELER
WITH FULLY THREADED SPINDLE

Main features:

- Full machined baseplate in austenitic stainless steel
- Spindle in austenitic stainless steel
- Washer in austenitic stainless steel
- Vulcanized anti-slip NBR rubber
- Double floor fixation



DIAMETER

125
mm

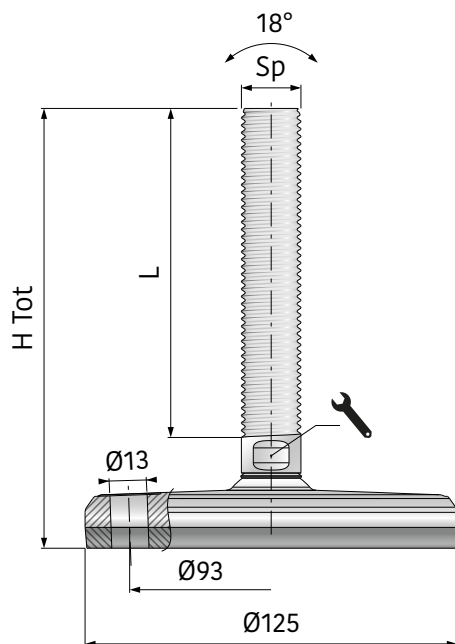
HIGH LOAD



FIXING



ANTI-SLIP



Art-Nr.	Sp	H Tot (mm)	L (mm)	Washer (mm)	Load (N)
901853	M20	88,5	52,3	17	45.000
901854		118,5	82,3	17	
901855		148,5	112,3	17	
901856		178,5	142,3	17	
901857		228,5	192,3	17	
901858		288,5	252,3	17	
901859	M24	118,5	76	19	70.000
901860		148,5	106	19	
901861		178,5	136	19	
901862		228,5	186	19	
901863		288,5	246	19	
901864	M30	148,5	106	24	100.000
901865		178,5	136	24	
901866		228,5	186	24	
901867		288,5	246	24	
901868		338,5	296	24	
901869	M36	178,5	136	30	130.000
901870		228,5	186	30	
901871		288,5	246	30	
901872		338,5	296	30	

The S400-HEAVY series, with full machined baseplate in austenitic stainless steel, fully threaded spindle and stainless steel washer is the best choice for industrial environments where a high level of hygiene and high load are required.

The stainless steel baseplate and its particular shape guarantee high load resistance and an excellent cleanability, even in critical conditions; the stainless steel washer ensures complete closure between the spindle and the baseplate and the NBR rubber guarantees anti-slip properties and hermetic closure between the leveler and the floor.

Maximum compressive strength (static load) as in the table, maximum tensile strength (static load) 8.000 N

DIAMETER

150
mm

HIGH LOAD



FIXING



ANTI-SLIP

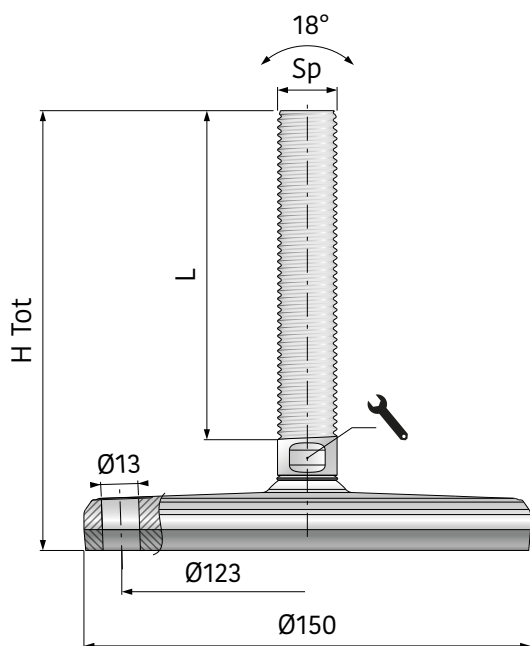


S400 HEAVY

STAINLESS STEEL LEVELER
WITH FULLY THREADED SPINDLE

Main features:

- Full machined baseplate in austenitic stainless steel
- Spindle in austenitic stainless steel
- Washer in austenitic stainless steel
- Vulcanized anti-slip NBR rubber
- Double floor fixation



Art-Nr.	Sp	H Tot (mm)	L (mm)	Washer (mm)	Load (N)
901873	M20	88,5	52,3	17	45.000
901874		118,5	82,3	17	
901875		148,5	112,3	17	
901876		178,5	142,3	17	
901877		228,5	192,3	17	
901878		288,5	252,3	17	
901879	M24	118,5	76	19	70.000
901880		148,5	106	19	
901881		178,5	136	19	
901882		228,5	186	19	
901883		288,5	246	19	
901884	M30	148,5	106	24	100.000
901885		178,5	136	24	
901886		228,5	186	24	
901887		288,5	246	24	
901888		338,5	296	24	
901889	M36	178,5	136	30	150.000
901890		228,5	186	30	
901891		288,5	246	30	
901892		338,5	296	30	

The S400-HEAVY series, with full machined baseplate in austenitic stainless steel, fully threaded spindle and stainless steel washer is the best choice for industrial environments where a high level of hygiene and high load are required.

The stainless steel baseplate and its particular shape guarantee high load resistance and an excellent cleanability, even in critical conditions; the stainless steel washer ensures complete closure between the spindle and the baseplate and the NBR rubber guarantees anti-slip properties and hermetic closure between the leveler and the floor.

Maximum compressive strength (static load) as in the table, maximum tensile strength (static load) 8.000 N

S400 HEAVY-SPLIT

STAINLESS STEEL LEVELER
WITH FULLY THREADED SPINDLE

Main features:

- Full machined baseplate in austenitic stainless steel
- Spindle in austenitic stainless steel
- Separate spindle and baseplate



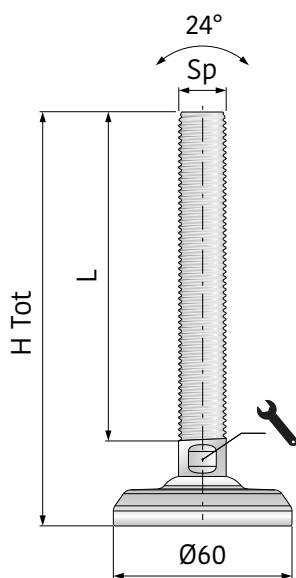
DIAMETER

60
mm

HIGH LOAD

Kg

SPLIT VERSION



Art-Nr.	Sp	H Tot (mm)	L (mm)	Wrench (mm)	Load (N)
901893	M10	81,5	50,5	7	3.000
901894		111,5	80,5	7	
901895		141,5	110,5	7	
901896	M12	81,5	50,8	10	12.000
901897		111,5	80,8	10	
901898		141,5	110,8	10	
901899		171,5	140,8	10	
901900	M16	81,5	51,3	13	30.000
901901		111,5	81,3	13	
901902		141,5	111,3	13	
901903		171,5	141,3	13	
901904		221,5	191,3	13	
901905	M20	81,5	52,3	17	45.000
901906		111,5	82,3	17	
901907		141,5	112,3	17	
901908		171,5	142,3	17	
901909		221,5	192,3	17	
901910		281,5	252,3	17	

The S400-HEAVY-SPLIT series, with full machined baseplate in austenitic stainless steel and separate fully threaded spindle is the best choice for industrial environments where a high level of hygiene and high load are required.

The stainless steel baseplate and its particular shape guarantee high load resistance and an excellent cleanability, even in critical conditions.

Maximum compressive strength (static load) as in the table, maximum tensile strength (static load) not available because the baseplate and the spindle are separate.

DIAMETER

80
mm

HIGH LOAD

Kg

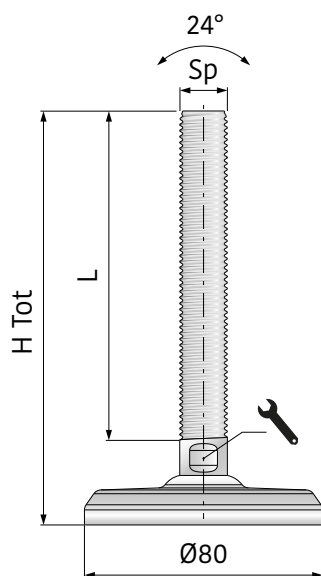
SPLIT VERSION

S400 HEAVY-SPLIT

STAINLESS STEEL LEVELER
WITH FULLY THREADED SPINDLE

Main features:

- Full machined baseplate in austenitic stainless steel
- Spindle in austenitic stainless steel
- Separate spindle and baseplate



Art-Nr.	Sp	H Tot (mm)	L (mm)	Wrench (mm)	Load (N)
901911	M12	81,5	50,8	10	12.000
901912		111,5	80,8	10	
901913		141,5	110,8	10	
901914		171,5	140,8	10	
901915	M16	81,5	51,3	13	30.000
901916		111,5	81,3	13	
901917		141,5	111,3	13	
901918		171,5	141,3	13	
901919		221,5	191,3	13	
901920	M20	81,5	52,3	17	45.000
901921		111,5	82,3	17	
901922		141,5	112,3	17	
901923		171,5	142,3	17	
901924		221,5	192,3	17	
901925		281,5	252,3	17	
901926	M24	111,5	76	19	70.000
901927		141,5	106	19	
901928		171,5	136	19	
901929		221,5	186	19	
901930		281,5	246	19	
901931	M30	141,5	106	24	80.000
901932		171,5	136	24	
901933		221,5	186	24	
901934		281,5	246	24	
901935		331,5	296	24	

The S400-HEAVY-SPLIT series, with full machined baseplate in austenitic stainless steel and separate fully threaded spindle is the best choice for industrial environments where a high level of hygiene and high load are required.

The stainless steel baseplate and its particular shape guarantee high load resistance and an excellent cleanability, even in critical conditions.

Maximum compressive strength (static load) as in the table, maximum tensile strength (static load) not available because the baseplate and the spindle are separate.

S400 HEAVY-SPLIT

STAINLESS STEEL LEVELER
WITH FULLY THREADED SPINDLE

Main features:

- Full machined baseplate in austenitic stainless steel
- Spindle in austenitic stainless steel
- Separate spindle and baseplate



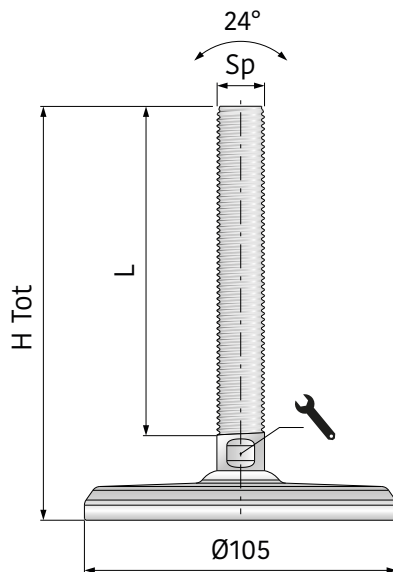
DIAMETER

105
mm

HIGH LOAD



SPLIT VERSION



Art-Nr.	Sp	H Tot (mm)	L (mm)	Wrench (mm)	Load (N)
901936	M16	81,5	51,3	13	30.000
901937		111,5	81,3	13	
901938		141,5	111,3	13	
901939		171,5	141,3	13	
901940		221,5	191,3	13	
901941	M20	81,5	52,3	17	45.000
901942		111,5	82,3	17	
901943		141,5	112,3	17	
901944		171,5	142,3	17	
901945		221,5	192,3	17	
901946		281,5	252,3	17	
901947	M24	111,5	76	19	70.000
901948		141,5	106	19	
901949		171,5	136	19	
901950		221,5	186	19	
901951		281,5	246	19	
901952	M30	141,5	106	24	100.000
901953		171,5	136	24	
901954		221,5	186	24	
901955		281,5	246	24	
901956		331,5	296	24	
901957	M36	171,5	136	30	120.000
901958		221,5	186	30	
901959		281,5	246	30	
901960		331,5	296	30	

The S400-HEAVY-SPLIT series, with full machined baseplate in austenitic stainless steel and separate fully threaded spindle is the best choice for industrial environments where a high level of hygiene and high load are required.

The stainless steel baseplate and its particular shape guarantee high load resistance and an excellent cleanability, even in critical conditions.

Maximum compressive strength (static load) as in the table, maximum tensile strength (static load) not available because the baseplate and the spindle are separate.

DIAMETER

125
mm

HIGH LOAD



SPLIT VERSION

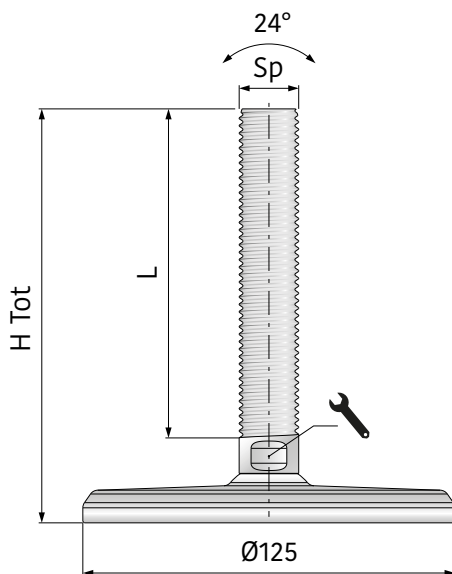


S400 HEAVY-SPLIT

STAINLESS STEEL LEVELER
WITH FULLY THREADED SPINDLE

Main features:

- Full machined baseplate in austenitic stainless steel
- Spindle in austenitic stainless steel
- Separate spindle and baseplate



Art-Nr.	Sp	H Tot (mm)	L (mm)	Wrench (mm)	Load (N)
901961	M20	81,5	52,3	17	45.000
901962		111,5	82,3	17	
901963		141,5	112,3	17	
901964		171,5	142,3	17	
901965		221,5	192,3	17	
901966		281,5	252,3	17	
901967	M24	111,5	76	19	70.000
901968		141,5	106	19	
901969		171,5	136	19	
901970		221,5	186	19	
901971		281,5	246	19	
901972	M30	141,5	106	24	100.000
901973		171,5	136	24	
901974		221,5	186	24	
901975		281,5	246	24	
901976		331,5	296	24	
901977	M36	171,5	136	30	130.000
901978		221,5	186	30	
901979		281,5	246	30	
901980		331,5	296	30	

The S400-HEAVY-SPLIT series, with full machined baseplate in austenitic stainless steel and separate fully threaded spindle is the best choice for industrial environments where a high level of hygiene and high load are required.

The stainless steel baseplate and its particular shape guarantee high load resistance and an excellent cleanability, even in critical conditions.

Maximum compressive strength (static load) as in the table, maximum tensile strength (static load) not available because the baseplate and the spindle are separate.

S400 HEAVY-SPLIT

STAINLESS STEEL LEVELER
WITH FULLY THREADED SPINDLE

Main features:

- Full machined baseplate in austenitic stainless steel
- Spindle in austenitic stainless steel
- Separate spindle and baseplate



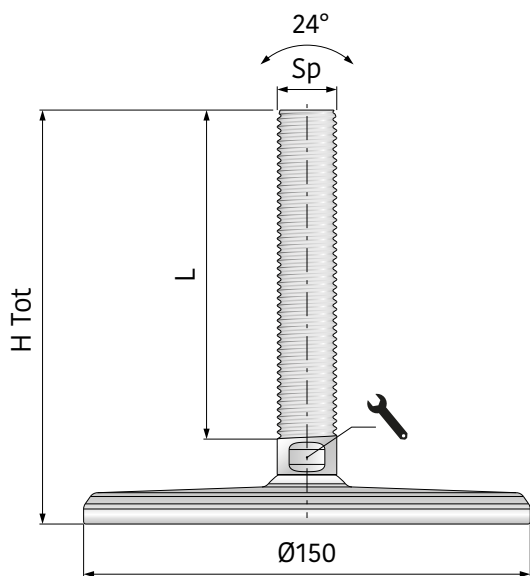
DIAMETER

150
mm

HIGH LOAD



SPLIT VERSION



Art-Nr.	Sp	H Tot (mm)	L (mm)	Wrench (mm)	Load (N)
901981	M20	81,5	52,3	17	45.000
901982		111,5	82,3	17	
901983		141,5	112,3	17	
901984		171,5	142,3	17	
901985		221,5	192,3	17	
901986		281,5	252,3	17	
901987	M24	111,5	76	19	70.000
901988		141,5	106	19	
901989		171,5	136	19	
901990		221,5	186	19	
901991		281,5	246	19	
901992	M30	141,5	106	24	100.000
901993		171,5	136	24	
901994		221,5	186	24	
901995		281,5	246	24	
901996		331,5	296	24	
901997	M36	171,5	136	30	150.000
901998		221,5	186	30	
901999		281,5	246	30	
902000		331,5	296	30	

The S400-HEAVY-SPLIT series, with full machined baseplate in austenitic stainless steel and separate fully threaded spindle is the best choice for industrial environments where a high level of hygiene and high load are required.

The stainless steel baseplate and its particular shape guarantee high load resistance and an excellent cleanability, even in critical conditions.

Maximum compressive strength (static load) as in the table, maximum tensile strength (static load) not available because the baseplate and the spindle are separate.

DIAMETER

60
mm

HIGH LOAD

Kg

SPLIT VERSION



ANTI-SLIP

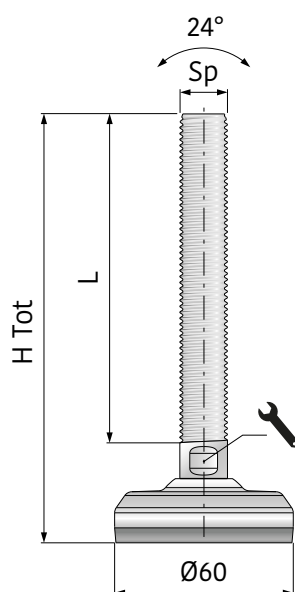


S400 HEAVY-SPLIT

STAINLESS STEEL LEVELER
WITH FULLY THREADED SPINDLE

Main features:

- Full machined baseplate in austenitic stainless steel
- Spindle in austenitic stainless steel
- Separate spindle and baseplate
- Vulcanized anti-slip NBR rubber



Art-Nr.	Sp	H Tot (mm)	L (mm)	Wrench (mm)	Load (N)
902001	M10	86,5	50,5	7	3.000
902002		116,5	80,5	7	
902003		146,5	110,5	7	
902004	M12	87,5	50,8	10	12.000
902005		117,5	80,8	10	
902006		147,5	110,8	10	
902007		177,5	140,8	10	
902008	M16	87,5	51,3	13	30.000
902009		117,5	81,3	13	
902010		147,5	111,3	13	
902011		177,5	141,3	13	
902012		227,5	191,3	13	
902013	M20	87,5	52,3	17	45.000
902014		117,5	82,3	17	
902015		147,5	112,3	17	
902016		177,5	142,3	17	
902017		227,5	192,3	17	
902018		287,5	252,3	17	

The S400-HEAVY-SPLIT series, with full machined baseplate in austenitic stainless steel and separate fully threaded spindle is the best choice for industrial environments where a high level of hygiene and high load are required.

The stainless steel baseplate and its particular shape guarantee high load resistance and an excellent cleanability, even in critical conditions and the NBR rubber guarantees anti-slip properties and hermetic closure between the leveler and the floor.

Maximum compressive strength (static load) as in the table, maximum tensile strength (static load) non available because the baseplate and the spindle are separate.

S400 HEAVY-SPLIT

STAINLESS STEEL LEVELER
WITH FULLY THREADED SPINDLE

Main features:

- Full machined baseplate in austenitic stainless steel
- Spindle in austenitic stainless steel
- Separate spindle and baseplate
- Vulcanized anti-slip NBR rubber



DIAMETER

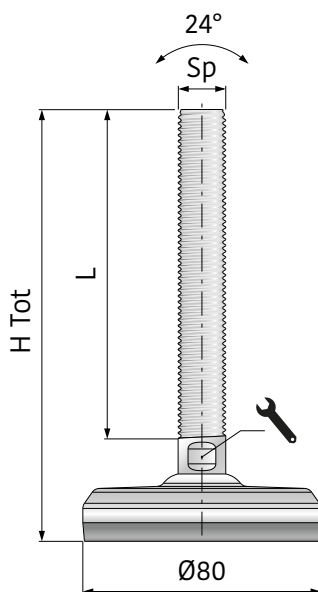
80
mm

HIGH LOAD

Kg

SPLIT VERSION

ANTI-SLIP



Art-Nr.	Sp	H Tot (mm)	L (mm)	Wrench (mm)	Load (N)
902019	M12	87,5	50,8	10	12.000
902020		117,5	80,8	10	
902021		147,5	110,8	10	
902022		177,5	140,8	10	
902023	M16	87,5	51,3	13	30.000
902024		117,5	81,3	13	
902025		147,5	111,3	13	
902026		177,5	141,3	13	
902027		227,5	191,3	13	
902028	M20	87,5	52,3	17	45.000
902029		117,5	82,3	17	
902030		147,5	112,3	17	
902031		177,5	142,3	17	
902032		227,5	192,3	17	
902033		287,5	252,3	17	
902034	M24	117,5	76	19	70.000
902035		147,5	106	19	
902036		177,5	136	19	
902037		227,5	186	19	
902038		287,5	246	19	
902039	M30	147,5	106	24	80.000
902040		177,5	136	24	
902041		227,5	186	24	
902042		287,5	246	24	
902043		337,5	296	24	

The S400-HEAVY-SPLIT series, with full machined baseplate in austenitic stainless steel and separate fully threaded spindle is the best choice for industrial environments where a high level of hygiene and high load are required.

The stainless steel baseplate and its particular shape guarantee high load resistance and an excellent cleanability, even in critical conditions and the NBR rubber guarantees anti-slip proprieties and hermetic closure between the leveler and the floor.

Maximum compressive strength (static load) as in the table, maximum tensile strength (static load) non available because the baseplate and the spindle are separate.

DIAMETER

105
mm

HIGH LOAD



SPLIT VERSION



ANTI-SLIP

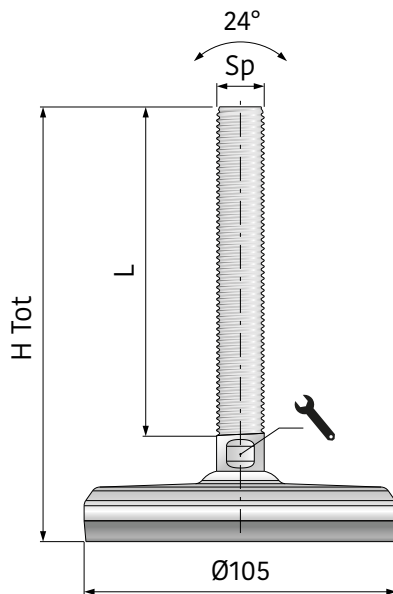


S400 HEAVY-SPLIT

STAINLESS STEEL LEVELER
WITH FULLY THREADED SPINDLE

Main features:

- Full machined baseplate in austenitic stainless steel
- Spindle in austenitic stainless steel
- Separate spindle and baseplate
- Vulcanized anti-slip NBR rubber



Art-Nr.	Sp	H Tot (mm)	L (mm)	Wrench (mm)	Load (N)
902044	M16	87,5	51,3	13	30.000
902045		117,5	81,3	13	
902046		147,5	111,3	13	
902047		177,5	141,3	13	
902048		227,5	191,3	13	
902049	M20	87,5	52,3	17	45.000
902050		117,5	82,3	17	
902051		147,5	112,3	17	
902052		177,5	142,3	17	
902053		227,5	192,3	17	
902054		287,5	252,3	17	
902055	M24	117,5	76	19	70.000
902056		147,5	106	19	
902057		177,5	136	19	
902058		227,5	186	19	
902059		287,5	246	19	
902060	M30	147,5	106	24	100.000
902061		177,5	136	24	
902062		227,5	186	24	
902063		287,5	246	24	
902064		337,5	296	24	
902065	M36	177,5	136	30	120.000
902066		227,5	186	30	
902067		287,5	246	30	
902068		337,5	296	30	

The S400-HEAVY-SPLIT series, with full machined baseplate in austenitic stainless steel and separate fully threaded spindle is the best choice for industrial environments where a high level of hygiene and high load are required.

The stainless steel baseplate and its particular shape guarantee high load resistance and an excellent cleanability, even in critical conditions and the NBR rubber guarantees anti-slip proprieties and hermetic closure between the leveler and the floor.

Maximum compressive strength (static load) as in the table, maximum tensile strength (static load) non available because the baseplate and the spindle are separate.

S400 HEAVY-SPLIT

STAINLESS STEEL LEVELER
WITH FULLY THREADED SPINDLE

Main features:

- Full machined baseplate in austenitic stainless steel
- Spindle in austenitic stainless steel
- Separate spindle and baseplate
- Vulcanized anti-slip NBR rubber



DIAMETER

125
mm

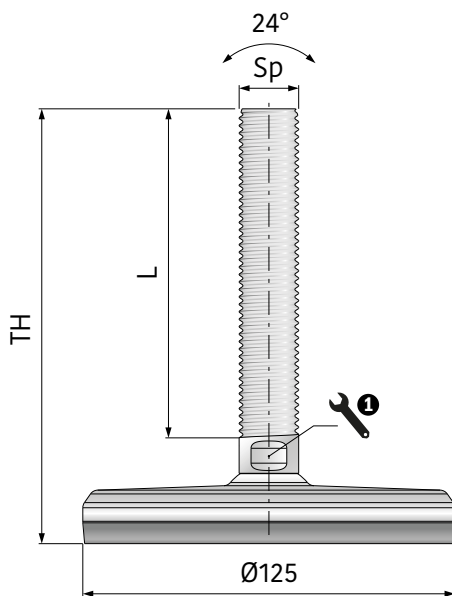
HIGH LOAD



SPLIT VERSION



ANTI-SLIP



Art-Nr.	Sp	H Tot (mm)	L (mm)	Wrench (mm)	Load (N)
902069	M20	87,5	52,3	17	45.000
902070		117,5	82,3	17	
902071		147,5	112,3	17	
902072		177,5	142,3	17	
902073		227,5	192,3	17	
902074		287,5	252,3	17	
902075	M24	117,5	76	19	70.000
902076		147,5	106	19	
902077		177,5	136	19	
902078		227,5	186	19	
902079		287,5	246	19	
902080	M30	147,5	106	24	100.000
902081		177,5	136	24	
902082		227,5	186	24	
902083		287,5	246	24	
902084		337,5	296	24	
902085	M36	177,5	136	30	130.000
902086		227,5	186	30	
902087		287,5	246	30	
902088		337,5	296	30	

The S400-HEAVY-SPLIT series, with full machined baseplate in austenitic stainless steel and separate fully threaded spindle is the best choice for industrial environments where a high level of hygiene and high load are required.

The stainless steel baseplate and its particular shape guarantee high load resistance and an excellent cleanability, even in critical conditions and the NBR rubber guarantees anti-slip proprieties and hermetic closure between the leveler and the floor.

Maximum compressive strength (static load) as in the table, maximum tensile strength (static load) non available because the baseplate and the spindle are separate.

DIAMETER

150
mm

HIGH LOAD



SPLIT VERSION



ANTI-SLIP

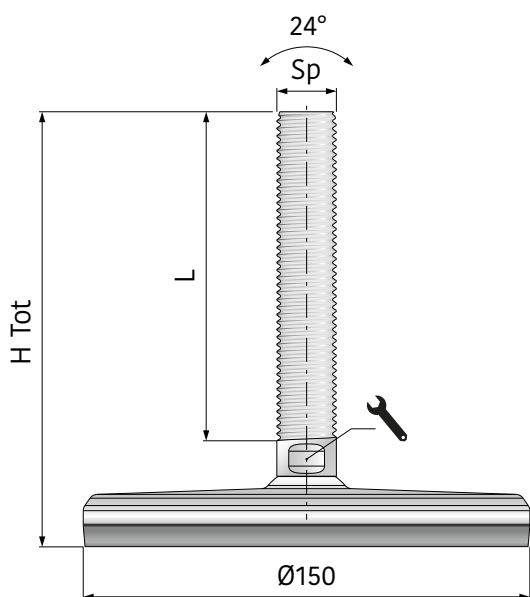


S400 HEAVY-SPLIT

STAINLESS STEEL LEVELER
WITH FULLY THREADED SPINDLE

Main features:

- Full machined baseplate in austenitic stainless steel
- Spindle in austenitic stainless steel
- Separate spindle and baseplate
- Vulcanized anti-slip NBR rubber



Art-Nr.	Sp	H Tot (mm)	L (mm)	Wrench (mm)	Load (N)
902089	M20	87,5	52,3	17	45.000
902090		117,5	82,3	17	
902091		147,5	112,3	17	
902092		177,5	142,3	17	
902093		227,5	192,3	17	
902094		287,5	252,3	17	
902095	M24	117,5	76	19	70.000
902096		147,5	106	19	
902097		177,5	136	19	
902098		227,5	186	19	
902099		287,5	246	19	
902100	M30	147,5	106	24	100.000
902101		177,5	136	24	
902102		227,5	186	24	
902103		287,5	246	24	
902104		337,5	296	24	
902105	M36	177,5	136	30	150.000
902106		227,5	186	30	
902107		287,5	246	30	
902108		337,5	296	30	

The S400-HEAVY-SPLIT series, with full machined baseplate in austenitic stainless steel and separate fully threaded spindle is the best choice for industrial environments where a high level of hygiene and high load are required.

The stainless steel baseplate and its particular shape guarantee high load resistance and an excellent cleanability, even in critical conditions and the NBR rubber guarantees anti-slip proprieties and hermetic closure between the leveler and the floor.

Maximum compressive strength (static load) as in the table, maximum tensile strength (static load) non available because the baseplate and the spindle are separate.

B

S400B

O

SPLIT VERSION



FIXING

Z

HIGH
LOAD

ANTI-SLIP

S

HYGIENIC STAINLESS STEEL LEVELERS

Movex



HYGIENIC STAINLESS STEEL LEVELERS

S400B Series

HYGIENIC STAINLESS STEEL LEVELERS

ANTI-SLIP



50 mm

Pag 70

60 mm

Pag 71

65 mm

Pag 72

75 mm

Pag 73

80 mm

Pag 74

100 mm

Pag 75

105 mm

Pag 76

125 mm

Pag 77

150 mm

Pag 78

180 mm

Pag 79

ANTI-SLIP



FIXING



60 mm

Pag 80

75 mm

Pag 81

80 mm

Pag 82

100 mm

Pag 83

105 mm

Pag 84

125 mm

Pag 85

S400B SPLIT

ANTI-SLIP



SPLIT VERSION



60 mm

Pag 86

80 mm

Pag 87

105 mm

Pag 88

125 mm

Pag 89

150 mm

Pag 90

S400B HEAVY

HIGH LOAD



60 mm

Pag 91

80 mm

Pag 92

105 mm

Pag 93

125 mm

Pag 94

150 mm

Pag 95

HIGH LOAD



ANTI-SLIP



60 mm

Pag 96

80 mm

Pag 97

105 mm

Pag 98

125 mm

Pag 99

150 mm

Pag 100

HIGH LOAD



FIXING



80 mm

Pag 101

105 mm

Pag 102

125 mm

Pag 103

150 mm

Pag 104

HIGH LOAD



FIXING



ANTI-SLIP



80 mm

Pag 105

105 mm

Pag 106

125 mm

Pag 107

150 mm

Pag 108

S400B HEAVY-SPLIT

HIGH LOAD



SPLIT VERSION



60 mm

Pag 109

80 mm

Pag 110

105 mm

Pag 111

125 mm

Pag 112

150 mm

Pag 113

HIGH LOAD



SPLIT VERSION



ANTI-SLIP



60 mm

Pag 114

80 mm

Pag 115

105 mm

Pag 116

125 mm

Pag 117

150 mm

Pag 118

DIAMETER

50
mm

ANTI-SLIP

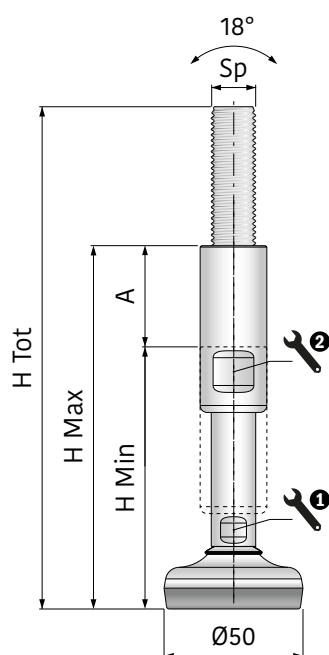


S400B

HYGIENIC STAINLESS STEEL
LEVELER

Main features:

- Overmolded baseplate in AISI 304 stainless steel
- Spindle and cover in AISI 304 stainless steel
- Washer in AISI 304 stainless steel
- Vulcanized anti-slip NBR rubber



Art-Nr.	Sp	H Tot (mm)	H Min (mm)	H Max (mm)	A (mm)	1 (mm)	2 (mm)	Load (N)
902109	M12	181	101	146	45	10	17	3.000
902110		231	131	196	65	10	17	
902111	M16	181	101	146	45	13	19	3.000
902112		231	131	196	65	13	19	
902113	M20	181	101	146	45	17	24	3.000
902114		231	131	196	65	17	24	
902115	M24	181	101	146	45	19	30	3.000
902116		231	131	196	65	19	30	
902117	M30	181	101	146	45	24	36	3.000
902118		231	131	196	65	24	36	
902119		291	191	256	65	24	36	
902120	M36	181	101	146	45	30	42	3.000
902121		231	131	196	65	30	42	
902122		291	191	256	65	30	42	

The S400B series, with overmolded baseplate in AISI 304 stainless steel, threaded spindle with complete closure cover and stainless steel washer is the best choice for industrial environments where a high level of hygiene is required, like food, chemical and pharmaceutical industries.

The stainless steel baseplate and its particular shape guarantee an excellent cleanability, especially in critical conditions; the stainless steel cover avoids exposure of the thread part to external agents; the stainless steel washer ensures complete closure between the spindle and the baseplate and the NBR rubber guarantees anti-slip properties and hermetic closure between the leveler and the floor.

Maximum compressive strength (static load) as in the table, maximum tensile strength (static load) 4.000 N

S400B

HYGIENIC STAINLESS STEEL
LEVELER

Main features:

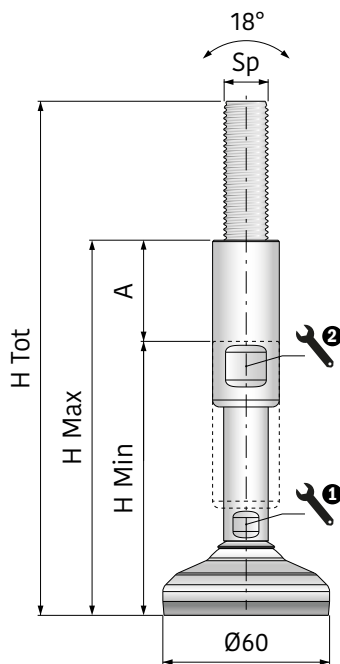
- Overmolded baseplate in AISI 304 stainless steel
- Spindle and cover in AISI 304 stainless steel
- Washer in AISI 304 stainless steel
- Vulcanized anti-slip NBR rubber



DIAMETER

60
mm

ANTI-SLIP



Art-Nr.	Sp	H Tot (mm)	H Min (mm)	H Max (mm)	A (mm)	1 (mm)	2 (mm)	Load (N)
902123	M12	185	105	150	45	10	17	4.500
902124		235	135	200	65	10	17	
902125	M16	185	105	150	45	13	19	4.500
902126		235	135	200	65	13	19	
902127	M20	185	105	150	45	17	24	4.500
902128		235	135	200	65	17	24	
902129	M24	185	105	150	45	19	30	4.500
902130		235	135	200	65	19	30	
902131	M30	185	105	150	45	24	36	4.500
902132		235	135	200	65	24	36	
902133		295	195	260	65	24	36	
902134	M36	185	105	150	45	30	42	4.500
902135		235	135	200	65	30	42	
902136		295	195	260	65	30	42	

The S400B series, with overmolded baseplate in AISI 304 stainless steel, threaded spindle with complete closure cover and stainless steel washer is the best choice for industrial environments where a high level of hygiene is required, like food, chemical and pharmaceutical industries.

The stainless steel baseplate and its particular shape guarantee an excellent cleanability, especially in critical conditions; the stainless steel cover avoids exposure of the thread part to external agents; the stainless steel washer ensures complete closure between the spindle and the baseplate and the NBR rubber guarantees anti-slip properties and hermetic closure between the leveler and the floor.

Maximum compressive strength (static load) as in the table, maximum tensile strength (static load) 4.000 N

DIAMETER

65
mm

ANTI-SLIP

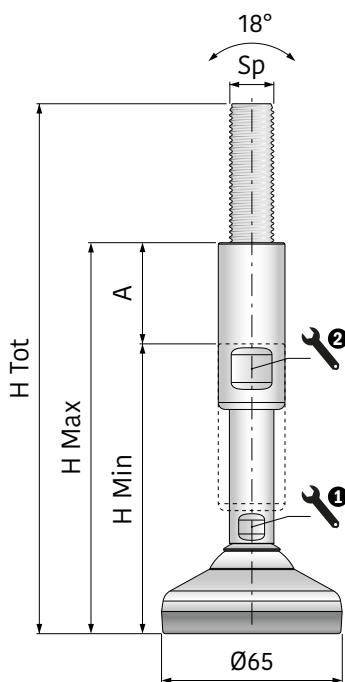


S400B

HYGIENIC STAINLESS STEEL
LEVELER

Main features:

- Overmolded baseplate in AISI 304 stainless steel
- Spindle and cover in AISI 304 stainless steel
- Washer in AISI 304 stainless steel
- Vulcanized anti-slip NBR rubber



Art-Nr.	Sp	H Tot (mm)	H Min (mm)	H Max (mm)	A (mm)	1 (mm)	2 (mm)	Load (N)
902137	M12	191	111	156	45	10	17	5.000
902138		241	141	206	65	10	17	
902139	M16	191	111	156	45	13	19	5.000
902140		241	141	206	65	13	19	
902141	M20	191	111	156	45	17	24	5.000
902142		241	141	206	65	17	24	
902143	M24	191	111	156	45	19	30	5.000
902144		241	141	206	65	19	30	
902145	M30	191	111	156	45	24	36	5.000
902146		241	141	206	65	24	36	
902147		301	201	266	65	24	36	
902148	M36	191	111	156	45	30	42	5.000
902149		241	141	206	65	30	42	
902150		301	201	266	65	30	42	

The S400B series, with overmolded baseplate in AISI 304 stainless steel, threaded spindle with complete closure cover and stainless steel washer is the best choice for industrial environments where a high level of hygiene is required, like food, chemical and pharmaceutical industries.

The stainless steel baseplate and its particular shape guarantee an excellent cleanability, especially in critical conditions; the stainless steel cover avoids exposure of the thread part to external agents; the stainless steel washer ensures complete closure between the spindle and the baseplate and the NBR rubber guarantees anti-slip properties and hermetic closure between the leveler and the floor.

Maximum compressive strength (static load) as in the table, maximum tensile strength (static load) 4.000 N

S400B

HYGIENIC STAINLESS STEEL
LEVELER

Main features:

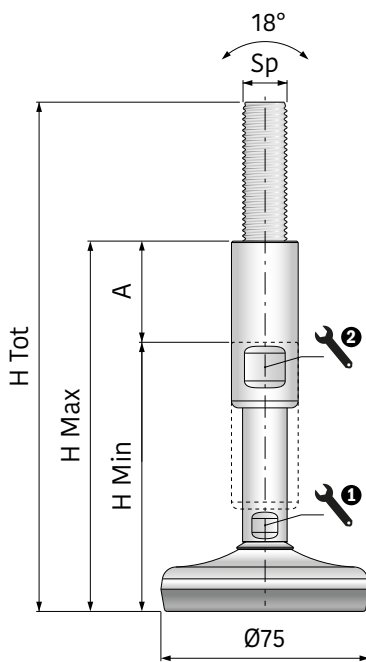
- Overmolded baseplate in AISI 304 stainless steel
- Spindle and cover in AISI 304 stainless steel
- Washer in AISI 304 stainless steel
- Vulcanized anti-slip NBR rubber



DIAMETER

75
mm

ANTI-SLIP



Art-Nr.	Sp	H Tot (mm)	H Min (mm)	H Max (mm)	A (mm)	1 (mm)	2 (mm)	Load (N)
902151	M12	183	103	148	45	10	17	8.000
902152		233	133	198	65	10	17	
902153	M16	183	103	148	45	13	19	8.000
902154		233	133	198	65	13	19	
902155	M20	183	103	148	45	17	24	8.000
902156		233	133	198	65	17	24	
902157	M24	183	103	148	45	19	30	8.000
902158		233	133	198	65	19	30	
902159	M30	183	103	148	45	24	36	8.000
902160		233	133	198	65	24	36	
902161		293	193	258	65	24	36	
902162	M36	183	103	148	45	30	42	8.000
902163		233	133	198	65	30	42	
902164		293	193	258	65	30	42	

The S400B series, with overmolded baseplate in AISI 304 stainless steel, threaded spindle with complete closure cover and stainless steel washer is the best choice for industrial environments where a high level of hygiene is required, like food, chemical and pharmaceutical industries.

The stainless steel baseplate and its particular shape guarantee an excellent cleanability, especially in critical conditions; the stainless steel cover avoids exposure of the thread part to external agents; the stainless steel washer ensures complete closure between the spindle and the baseplate and the NBR rubber guarantees anti-slip properties and hermetic closure between the leveler and the floor.

Maximum compressive strength (static load) as in the table, maximum tensile strength (static load) 4.000 N

DIAMETER

80
mm

ANTI-SLIP

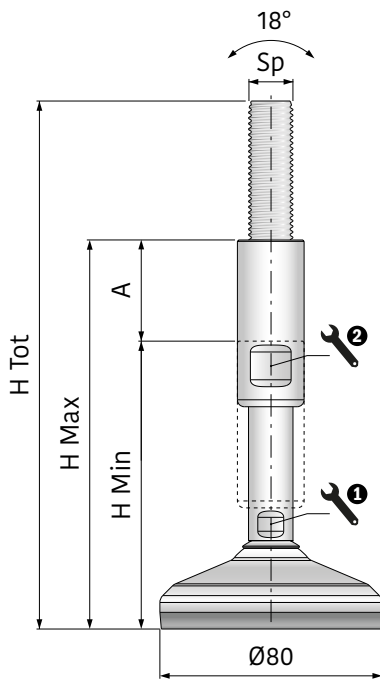


S400B

HYGIENIC STAINLESS STEEL
LEVELER

Main features:

- Overmolded baseplate in AISI 304 stainless steel
- Spindle and cover in AISI 304 stainless steel
- Washer in AISI 304 stainless steel
- Vulcanized anti-slip NBR rubber



Art-Nr.	Sp	H Tot (mm)	H Min (mm)	H Max (mm)	A (mm)	1 (mm)	2 (mm)	Load (N)
902165	M12	190	110	155	45	10	17	12.000
902166		240	140	205	65	10	17	
902167	M16	190	110	155	45	13	19	15.000
902168		240	140	205	65	13	19	
902169	M20	190	110	155	45	17	24	15.000
902170		240	140	205	65	17	24	
902171	M24	190	110	155	45	19	30	15.000
902172		240	140	205	65	19	30	
902173	M30	190	110	155	45	24	36	15.000
902174		240	140	205	65	24	36	
902175		300	200	265	65	24	36	
902176	M36	190	110	155	45	30	42	15.000
902177		240	140	205	65	30	42	
902178		300	200	265	65	30	42	

The S400B series, with overmolded baseplate in AISI 304 stainless steel, threaded spindle with complete closure cover and stainless steel washer is the best choice for industrial environments where a high level of hygiene is required, like food, chemical and pharmaceutical industries.

The stainless steel baseplate and its particular shape guarantee an excellent cleanability, especially in critical conditions; the stainless steel cover avoids exposure of the thread part to external agents; the stainless steel washer ensures complete closure between the spindle and the baseplate and the NBR rubber guarantees anti-slip properties and hermetic closure between the leveler and the floor.

Maximum compressive strength (static load) as in the table, maximum tensile strength (static load) 4.000 N

S400B

HYGIENIC STAINLESS STEEL
LEVELER

Main features:

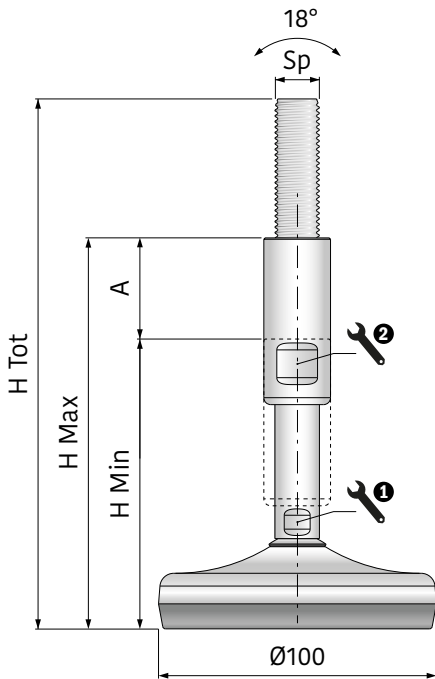
- Overmolded baseplate in AISI 304 stainless steel
- Spindle and cover in AISI 304 stainless steel
- Washer in AISI 304 stainless steel
- Vulcanized anti-slip NBR rubber



DIAMETER

100
mm

ANTI-SLIP



Art-Nr.	Sp	H Tot (mm)	H Min (mm)	H Max (mm)	A (mm)	1 (mm)	2 (mm)	Load (N)
902179	M12	191	111	156	45	10	17	12.000
902180		241	141	206	65	10	17	
902181	M16	191	111	156	45	13	19	20.000
902182		241	141	206	65	13	19	
902183	M20	191	111	156	45	17	24	20.000
902184		241	141	206	65	17	24	
902185	M24	191	111	156	45	19	30	20.000
902186		241	141	206	65	19	30	
902187	M30	191	111	156	45	24	36	20.000
902188		241	141	206	65	24	36	
902189		301	201	266	65	24	36	
902190	M36	191	111	156	45	30	42	20.000
902191		241	141	206	65	30	42	
902192		301	201	266	65	30	42	

The S400B series, with overmolded baseplate in AISI 304 stainless steel, threaded spindle with complete closure cover and stainless steel washer is the best choice for industrial environments where a high level of hygiene is required, like food, chemical and pharmaceutical industries.

The stainless steel baseplate and its particular shape guarantee an excellent cleanability, especially in critical conditions; the stainless steel cover avoids exposure of the thread part to external agents; the stainless steel washer ensures complete closure between the spindle and the baseplate and the NBR rubber guarantees anti-slip properties and hermetic closure between the leveler and the floor.

Maximum compressive strength (static load) as in the table, maximum tensile strength (static load) 4.000 N

DIAMETER

105
mm

ANTI-SLIP

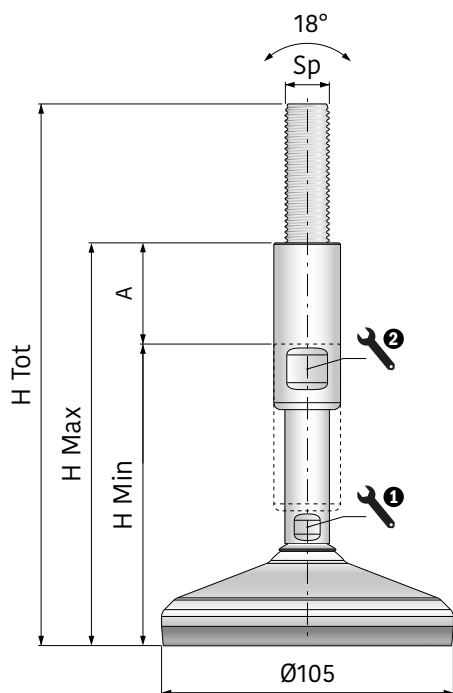


S400B

HYGIENIC STAINLESS STEEL
LEVELER

Main features:

- Overmolded baseplate in AISI 304 stainless steel
- Spindle and cover in AISI 304 stainless steel
- Washer in AISI 304 stainless steel
- Vulcanized anti-slip NBR rubber



Art-Nr.	Sp	H Tot (mm)	H Min (mm)	H Max (mm)	A (mm)	1 (mm)	2 (mm)	Load (N)
902193	M12	195	115	160	45	10	17	12.000
902194		245	145	210	65	10	17	
902195	M16	195	115	160	45	13	19	25.000
902196		245	145	210	65	13	19	
902197	M20	195	115	160	45	17	24	25.000
902198		245	145	210	65	17	24	
902199	M24	195	115	160	45	19	30	25.000
902200		245	145	210	65	19	30	
902201	M30	195	115	160	45	24	36	25.000
902202		245	145	210	65	24	36	
902203		305	205	270	65	24	36	
902204	M36	195	115	160	45	30	42	25.000
902205		245	145	210	65	30	42	
902206		305	205	270	65	30	42	

The S400B series, with overmolded baseplate in AISI 304 stainless steel, threaded spindle with complete closure cover and stainless steel washer is the best choice for industrial environments where a high level of hygiene is required, like food, chemical and pharmaceutical industries..

The stainless steel baseplate and its particular shape guarantee an excellent cleanability, especially in critical conditions; the stainless steel cover avoids exposure of the thread part to external agents; the stainless steel washer ensures complete closure between the spindle and the baseplate and the NBR rubber guarantees anti-slip properties and hermetic closure between the leveler and the floor.

Maximum compressive strength (static load) as in the table, maximum tensile strength (static load) 4.000 N

S400B

HYGIENIC STAINLESS STEEL
LEVELER

Main features:

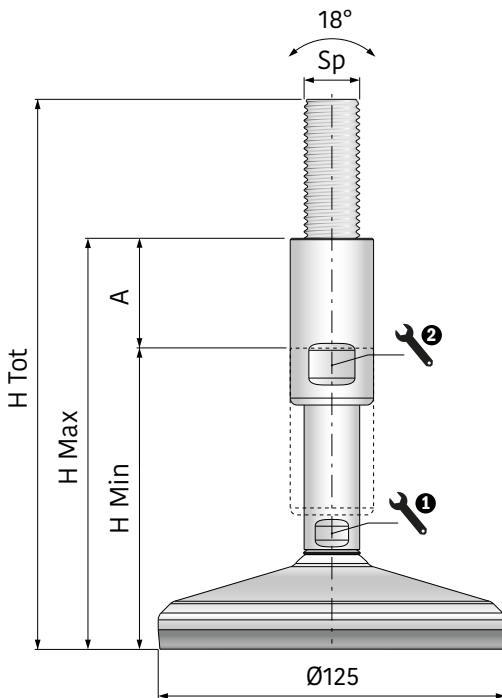
- Overmolded baseplate in AISI 304 stainless steel
- Spindle and cover in AISI 304 stainless steel
- Washer in AISI 304 stainless steel
- Vulcanized anti-slip NBR rubber



DIAMETER

125
mm

ANTI-SLIP



Art-Nr.	Sp	H Tot (mm)	H Min (mm)	H Max (mm)	A (mm)	1 (mm)	2 (mm)	Load (N)
902207	M12	195	115	160	45	10	17	12.000
902208		245	145	210	65	10	17	
902209	M16	195	115	160	45	13	19	30.000
902210		245	145	210	65	13	19	
902211	M20	195	115	160	45	17	24	30.000
902212		245	145	210	65	17	24	
902213	M24	195	115	160	45	19	30	30.000
902214		245	145	210	65	19	30	
902215	M30	195	115	160	45	24	36	30.000
902216		245	145	210	65	24	36	
902217		305	205	270	65	24	36	
902218	M36	195	115	160	45	30	42	30.000
902219		245	145	210	65	30	42	
902220		305	205	270	65	30	42	

The S400B series, with overmolded baseplate in AISI 304 stainless steel, threaded spindle with complete closure cover and stainless steel washer is the best choice for industrial environments where a high level of hygiene is required, like food, chemical and pharmaceutical industries.

The stainless steel baseplate and its particular shape guarantee an excellent cleanability, especially in critical conditions; the stainless steel cover avoids exposure of the thread part to external agents; the stainless steel washer ensures complete closure between the spindle and the baseplate and the NBR rubber guarantees anti-slip properties and hermetic closure between the leveler and the floor.

Maximum compressive strength (static load) as in the table, maximum tensile strength (static load) 4.000 N

DIAMETER

150
mm

ANTI-SLIP

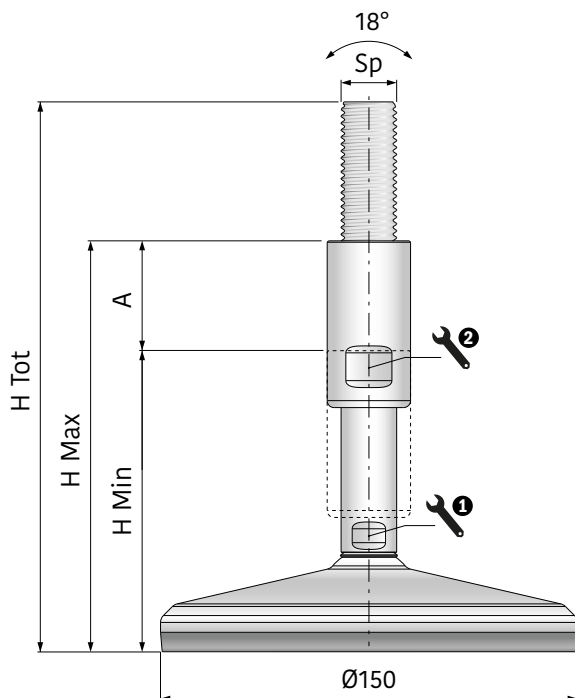


S400B

HYGIENIC STAINLESS STEEL
LEVELER

Main features:

- Overmolded baseplate in AISI 304 stainless steel
- Spindle and cover in AISI 304 stainless steel
- Washer in AISI 304 stainless steel
- Vulcanized anti-slip NBR rubber



Art-Nr.	Sp	H Tot (mm)	H Min (mm)	H Max (mm)	A (mm)	1 (mm)	2 (mm)	Load (N)
902221	M12	195	115	160	45	10	17	12.000
902222		245	145	210	65	10	17	
902223	M16	195	115	160	45	13	19	30.000
902224		245	145	210	65	13	19	
902225	M20	195	115	160	45	17	24	45.000
902226		245	145	210	65	17	24	
902227	M24	195	115	160	45	19	30	45.000
902228		245	145	210	65	19	30	
902229	M30	195	115	160	45	24	36	45.000
902230		245	145	210	65	24	36	
902231		305	205	270	65	24	36	
902232	M36	195	115	160	45	30	42	45.000
902233		245	145	210	65	30	42	
902234		305	205	270	65	30	42	

The S400B series, with overmolded baseplate in AISI 304 stainless steel, threaded spindle with complete closure cover and stainless steel washer is the best choice for industrial environments where a high level of hygiene is required, like food, chemical and pharmaceutical industries..

The stainless steel baseplate and its particular shape guarantee an excellent cleanability, especially in critical conditions; the stainless steel cover avoids exposure of the thread part to external agents; the stainless steel washer ensures complete closure between the spindle and the baseplate and the NBR rubber guarantees anti-slip properties and hermetic closure between the leveler and the floor.

Maximum compressive strength (static load) as in the table, maximum tensile strength (static load) 4.000 N

S400B

HYGIENIC STAINLESS STEEL
LEVELER

Main features:

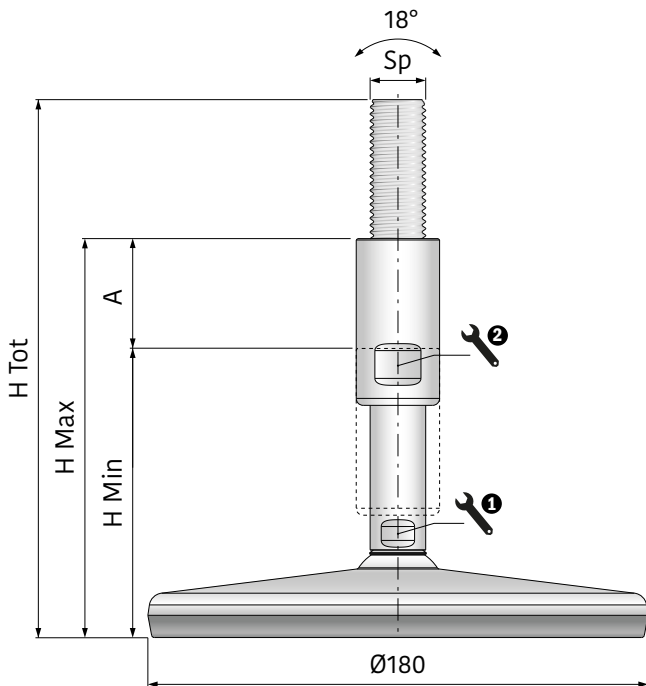
- Overmolded baseplate in AISI 304 stainless steel
- Spindle and cover in AISI 304 stainless steel
- Washer in AISI 304 stainless steel
- Vulcanized anti-slip NBR rubber



DIAMETER

180
mm

ANTI-SLIP



Art-Nr.	Sp	H Tot (mm)	H Min (mm)	H Max (mm)	A (mm)	1 (mm)	2 (mm)	Load (N)
902235	M12	191	111	156	45	10	17	12.000
902236		241	141	206	65	10	17	
902237	M16	191	111	156	45	13	19	30.000
902238		241	141	206	65	13	19	
902239	M20	191	111	156	45	17	24	38.000
902240		241	141	206	65	17	24	
902241	M24	191	111	156	45	19	30	38.000
902242		241	141	206	65	19	30	
902243	M30	191	111	156	45	24	36	38.000
902244		241	141	206	65	24	36	
902245		301	201	266	65	24	36	
902246	M36	191	111	156	45	30	42	38.000
902247		241	141	206	65	30	42	
902248		301	201	266	65	30	42	

The S400B series, with overmolded baseplate in AISI 304 stainless steel, threaded spindle with complete closure cover and stainless steel washer is the best choice for industrial environments where a high level of hygiene is required, like food, chemical and pharmaceutical industries.

The stainless steel baseplate and its particular shape guarantee an excellent cleanability, especially in critical conditions; the stainless steel cover avoids exposure of the thread part to external agents; the stainless steel washer ensures complete closure between the spindle and the baseplate and the NBR rubber guarantees anti-slip properties and hermetic closure between the leveler and the floor.

Maximum compressive strength (static load) as in the table, maximum tensile strength (static load) 4.000 N

DIAMETER

60
mm

ANTI-SLIP



FIXING

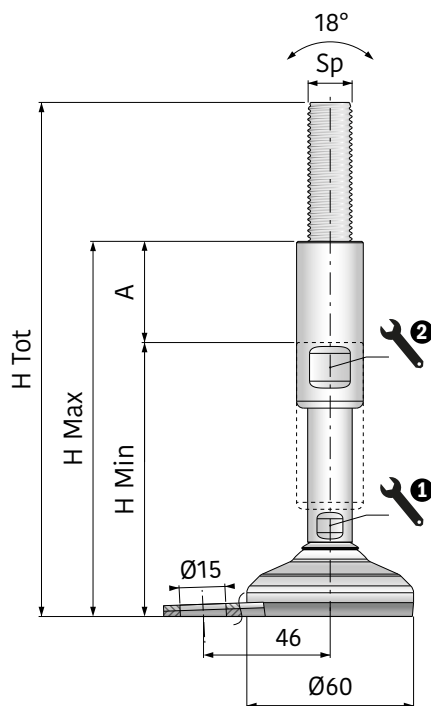


S400B

HYGIENIC STAINLESS STEEL
LEVELER

Main features:

- Overmolded baseplate in AISI 304 stainless steel
- Spindle and cover in AISI 304 stainless steel
- Washer in AISI 304 stainless steel
- Vulcanized anti-slip NBR rubber
- Single floor fixation



Art-Nr.	Sp	H Tot (mm)	H Min (mm)	H Max (mm)	A (mm)	1 (mm)	2 (mm)	Load (N)
902249	M12	185	105	150	45	10	17	4.500
902250		235	135	200	65	10	17	
902251	M16	185	105	150	45	13	19	4.500
902252		235	135	200	65	13	19	
902253	M20	185	105	150	45	17	24	4.500
902254		235	135	200	65	17	24	
902255	M24	185	105	150	45	19	30	4.500
902256		235	135	200	65	19	30	
902257	M30	185	105	150	45	24	36	4.500
902258		235	135	200	65	24	36	
902259		295	195	260	65	24	36	
902260	M36	185	105	150	45	30	42	4.500
902261		235	135	200	65	30	42	
902262		295	195	260	65	30	42	

The S400B series, with overmolded baseplate in AISI 304 stainless steel, threaded spindle with complete closure cover and stainless steel washer is the best choice for industrial environments where a high level of hygiene is required, like food, chemical and pharmaceutical industries.

The stainless steel baseplate and its particular shape guarantee an excellent cleanability, especially in critical conditions; the stainless steel cover avoids exposure of the thread part to external agents; the stainless steel washer ensures complete closure between the spindle and the baseplate and the NBR rubber guarantees anti-slip properties and hermetic closure between the leveler and the floor.

Maximum compressive strength (static load) as in the table, maximum tensile strength (static load) 4.000 N

S400B

HYGIENIC STAINLESS STEEL LEVELER

Main features:

- Overmolded baseplate in AISI 304 stainless steel
- Spindle and cover in AISI 304 stainless steel
- Washer in AISI 304 stainless steel
- Vulcanized anti-slip NBR rubber
- Single floor fixation



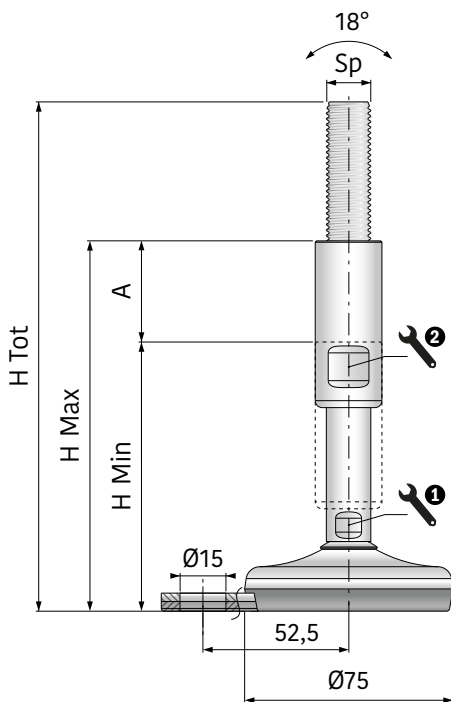
DIAMETER

75 mm

ANTI-SLIP



FIXING



Art-Nr.	Sp	H Tot (mm)	H Min (mm)	H Max (mm)	A (mm)	1 (mm)	2 (mm)	Load (N)
902263	M12	183	103	148	45	10	17	8.000
902264		233	133	198	65	10	17	
902265	M16	183	103	148	45	13	19	8.000
902266		233	133	198	65	13	19	
902267	M20	183	103	148	45	17	24	8.000
902268		233	133	198	65	17	24	
902269	M24	183	103	148	45	19	30	8.000
902270		233	133	198	65	19	30	
902271	M30	183	103	148	45	24	36	8.000
902272		233	133	198	65	24	36	
902273		293	193	258	65	24	36	
902274	M36	183	103	148	45	30	42	8.000
902275		233	133	198	65	30	42	
902276		293	193	258	65	30	42	

The S400B series, with overmolded baseplate in AISI 304 stainless steel, threaded spindle with complete closure cover and stainless steel washer is the best choice for industrial environments where a high level of hygiene is required, like food, chemical and pharmaceutical industries.

The stainless steel baseplate and its particular shape guarantee an excellent cleanability, especially in critical conditions; the stainless steel cover avoids exposure of the thread part to external agents; the stainless steel washer ensures complete closure between the spindle and the baseplate and the NBR rubber guarantees anti-slip properties and hermetic closure between the leveler and the floor.

Maximum compressive strength (static load) as in the table, maximum tensile strength (static load) 4.000 N

DIAMETER

80
mm

ANTI-SLIP



FIXING

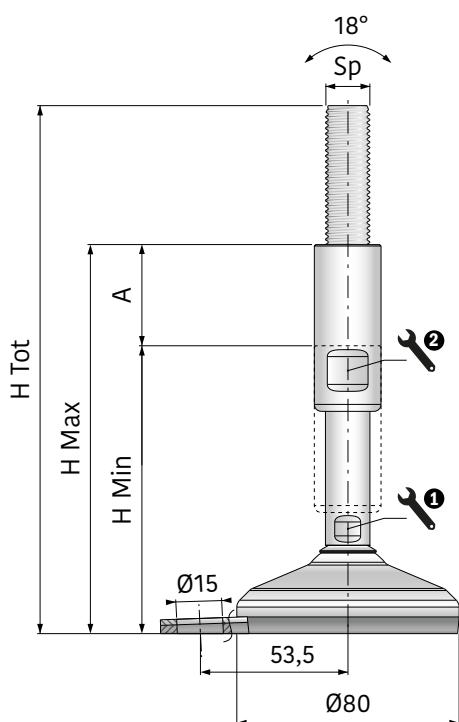


S400B

HYGIENIC STAINLESS STEEL
LEVELER

Main features:

- Overmolded baseplate in AISI 304 stainless steel
- Spindle and cover in AISI 304 stainless steel
- Washer in AISI 304 stainless steel
- Vulcanized anti-slip NBR rubber
- Single floor fixation



Art-Nr.	Sp	H Tot (mm)	H Min (mm)	H Max (mm)	A (mm)	1 (mm)	2 (mm)	Load (N)
902277	M12	190	110	155	45	10	17	12.000
902278		240	140	205	65	10	17	
902279	M16	190	110	155	45	13	19	15.000
902280		240	140	205	65	13	19	
902281	M20	190	110	155	45	17	24	15.000
902282		240	140	205	65	17	24	
902283	M24	190	110	155	45	19	30	15.000
902284		240	140	205	65	19	30	
902285	M30	190	110	155	45	24	36	15.000
902286		240	140	205	65	24	36	
902287		300	200	265	65	24	36	
902288	M36	190	110	155	45	30	42	15.000
902289		240	140	205	65	30	42	
902290		300	200	265	65	30	42	

The S400B series, with overmolded baseplate in AISI 304 stainless steel, threaded spindle with complete closure cover and stainless steel washer is the best choice for industrial environments where a high level of hygiene is required, like food, chemical and pharmaceutical industries.

The stainless steel baseplate and its particular shape guarantee an excellent cleanability, especially in critical conditions; the stainless steel cover avoids exposure of the thread part to external agents; the stainless steel washer ensures complete closure between the spindle and the baseplate and the NBR rubber guarantees anti-slip properties and hermetic closure between the leveler and the floor.

Maximum compressive strength (static load) as in the table, maximum tensile strength (static load) 4.000 N

S400B

HYGIENIC STAINLESS STEEL LEVELER

Main features:

- Overmolded baseplate in AISI 304 stainless steel
- Spindle and cover in AISI 304 stainless steel
- Washer in AISI 304 stainless steel
- Vulcanized anti-slip NBR rubber
- Single floor fixation



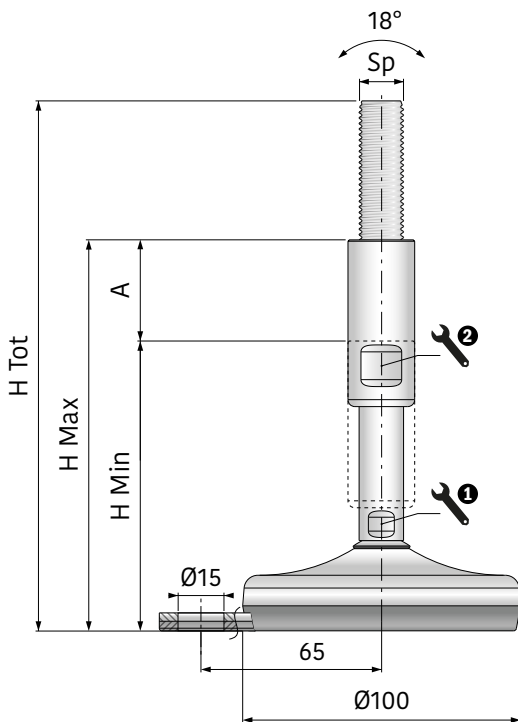
DIAMETER

100
mm

ANTI-SLIP



FIXING



Art-Nr.	Sp	H Tot (mm)	H Min (mm)	H Max (mm)	A (mm)	1 (mm)	2 (mm)	Load (N)
902291	M12	191	111	156	45	10	17	12.000
902292		241	141	206	65	10	17	
902293	M16	191	111	156	45	13	19	20.000
902294		241	141	206	65	13	19	
902295	M20	191	111	156	45	17	24	20.000
902296		241	141	206	65	17	24	
902297	M24	191	111	156	45	19	30	20.000
902298		241	141	206	65	19	30	
902299	M30	191	111	156	45	24	36	20.000
902300		241	141	206	65	24	36	
902301		301	201	266	65	24	36	
902302	M36	191	111	156	45	30	42	20.000
902303		241	141	206	65	30	42	
902304		301	201	266	65	30	42	

The S400B series, with overmolded baseplate in AISI 304 stainless steel, threaded spindle with complete closure cover and stainless steel washer is the best choice for industrial environments where a high level of hygiene is required, like food, chemical and pharmaceutical industries.

The stainless steel baseplate and its particular shape guarantee an excellent cleanability, especially in critical conditions; the stainless steel cover avoids exposure of the thread part to external agents; the stainless steel washer ensures complete closure between the spindle and the baseplate and the NBR rubber guarantees anti-slip properties and hermetic closure between the leveler and the floor.

Maximum compressive strength (static load) as in the table, maximum tensile strength (static load) 4.000 N

DIAMETER

105
mm

S400B

HYGIENIC STAINLESS STEEL
LEVELER

ANTI-SLIP

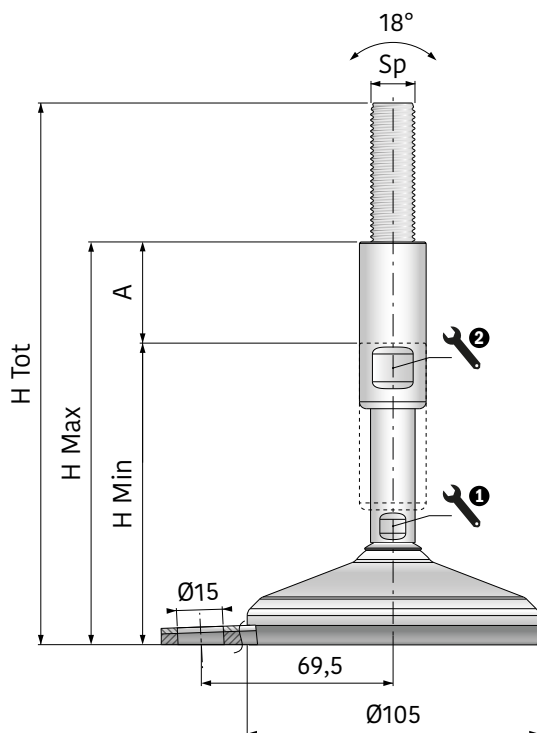


FIXING



Main features:

- Overmolded baseplate in AISI 304 stainless steel
- Spindle and cover in AISI 304 stainless steel
- Washer in AISI 304 stainless steel
- Vulcanized anti-slip NBR rubber
- Single floor fixation



Art-Nr.	Sp	H Tot (mm)	H Min (mm)	H Max (mm)	A (mm)	1 (mm)	2 (mm)	Load (N)
902305	M12	195	115	160	45	10	17	12.000
902306		245	145	210	65	10	17	
902307	M16	195	115	160	45	13	19	25.000
902308		245	145	210	65	13	19	
902309	M20	195	115	160	45	17	24	25.000
902310		245	145	210	65	17	24	
902311	M24	195	115	160	45	19	30	25.000
902312		245	145	210	65	19	30	
902313	M30	195	115	160	45	24	36	25.000
902314		245	145	210	65	24	36	
902315		305	205	270	65	24	36	
902316	M36	195	115	160	45	30	42	25.000
902317		245	145	210	65	30	42	
902318		305	205	270	65	30	42	

The S400B series, with overmolded baseplate in AISI 304 stainless steel, threaded spindle with complete closure cover and stainless steel washer is the best choice for industrial environments where a high level of hygiene is required, like food, chemical and pharmaceutical industries.

The stainless steel baseplate and its particular shape guarantee an excellent cleanability, especially in critical conditions; the stainless steel cover avoids exposure of the thread part to external agents; the stainless steel washer ensures complete closure between the spindle and the baseplate and the NBR rubber guarantees anti-slip properties and hermetic closure between the leveler and the floor.

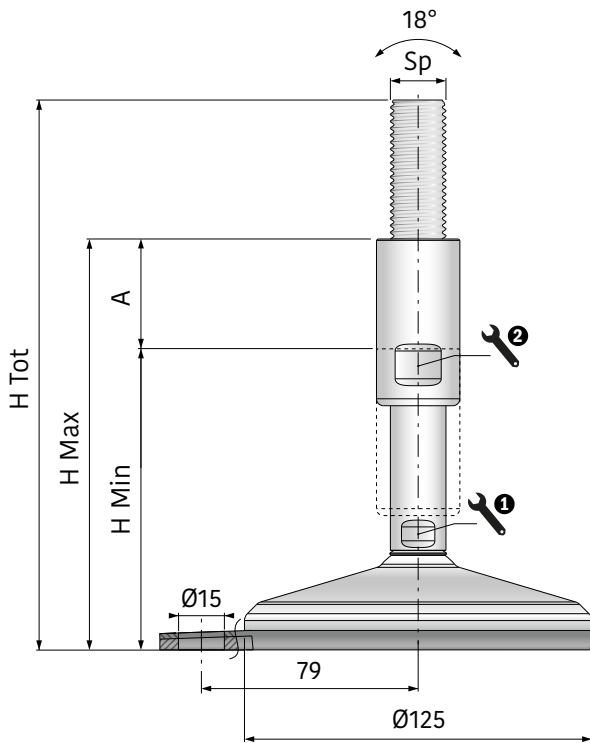
Maximum compressive strength (static load) as in the table, maximum tensile strength (static load) 4.000 N

S400B

HYGIENIC STAINLESS STEEL LEVELER

Main features:

- Overmolded baseplate in AISI 304 stainless steel
- Spindle and cover in AISI 304 stainless steel
- Washer in AISI 304 stainless steel
- Vulcanized anti-slip NBR rubber
- Single floor fixation



Art-Nr.	Sp	H Tot (mm)	H Min (mm)	H Max (mm)	A (mm)	1 (mm)	2 (mm)	Load (N)
902319	M12	195	115	160	45	10	17	12.000
902320		245	145	210	65	10	17	
902321	M16	195	115	160	45	13	19	30.000
902322		245	145	210	65	13	19	
902323	M20	195	115	160	45	17	24	30.000
902324		245	145	210	65	17	24	
902325	M24	195	115	160	45	19	30	30.000
902326		245	145	210	65	19	30	
902327	M30	195	115	160	45	24	36	30.000
902328		245	145	210	65	24	36	
902329		305	205	270	65	24	36	
902330	M36	195	115	160	45	30	42	30.000
902331		245	145	210	65	30	42	
902332		305	205	270	65	30	42	

The S400B series, with overmolded baseplate in AISI 304 stainless steel, threaded spindle with complete closure cover and stainless steel washer is the best choice for industrial environments where a high level of hygiene is required, like food, chemical and pharmaceutical industries.

The stainless steel baseplate and its particular shape guarantee an excellent cleanability, especially in critical conditions; the stainless steel cover avoids exposure of the thread part to external agents; the stainless steel washer ensures complete closure between the spindle and the baseplate and the NBR rubber guarantees anti-slip properties and hermetic closure between the leveler and the floor.

Maximum compressive strength (static load) as in the table, maximum tensile strength (static load) 4.000 N

DIAMETER

60
mm

ANTI-SLIP



SPLIT VERSION

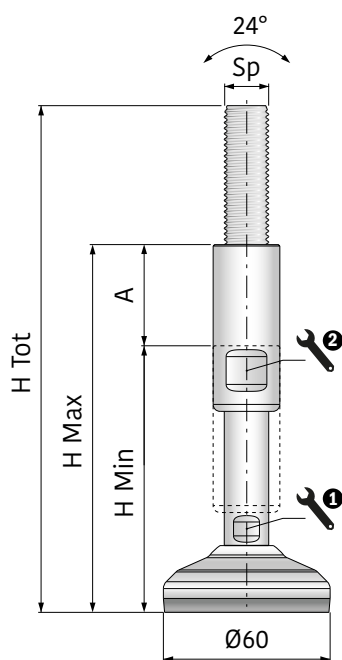


S400B SPLIT

HYGIENIC STAINLESS STEEL
LEVELER

Main features:

- Overmolded baseplate in AISI 304 stainless steel
- Spindle and cover in AISI 304 stainless steel
- Separate spindle and baseplate
- Vulcanized anti-slip NBR rubber



Art-Nr.	Sp	H Tot (mm)	H Min (mm)	H Max (mm)	A (mm)	1 (mm)	2 (mm)	Load (N)
902333	M12	184	104	149	45	10	17	4.500
902334		234	134	199	65	10	17	
902335	M16	184	104	149	45	13	19	4.500
902336		234	134	199	65	13	19	
902337	M20	184	104	149	45	17	24	4.500
902338		234	134	199	65	17	24	
902339	M24	184	104	149	45	19	30	4.500
902340		234	134	199	65	19	30	
902341	M30	184	104	149	45	24	36	4.500
902342		234	134	199	65	24	36	
902343		294	194	259	65	24	36	
902344	M36	184	104	149	45	30	42	4.500
902345		234	134	199	65	30	42	
902346		294	194	259	65	30	42	

The S400B-SPLIT series, with overmolded baseplate in AISI 304 stainless steel and separate threaded spindle with complete closure cover is the best choice for industrial environments where a high level of hygiene is required, like food, chemical and pharmaceutical industries. The stainless steel baseplate and its particular shape guarantee an excellent cleanability, especially in critical conditions; the stainless steel cover avoids exposure of the thread part to external agents and the NBR rubber guarantees anti-slip proprieties and hermetic closure between the leveler and the floor.

Maximum compressive strength (static load) as in the table, maximum tensile strength (static load) not available because the baseplate and the spindle are separate.

S400B SPLIT

HYGIENIC STAINLESS STEEL
LEVELER

Main features:

- Overmolded baseplate in AISI 304 stainless steel
- Spindle and cover in AISI 304 stainless steel
- Separate spindle and baseplate
- Vulcanized anti-slip NBR rubber

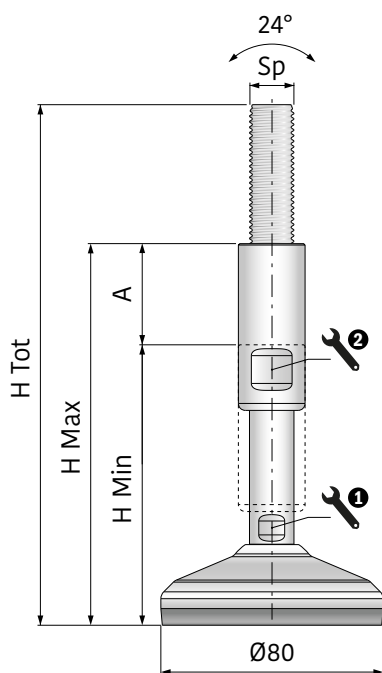


DIAMETER

80
mm

ANTI-SLIP

SPLIT VERSION



Art-Nr.	Sp	H Tot (mm)	H Min (mm)	H Max (mm)	A (mm)	1 (mm)	2 (mm)	Load (N)
902347	M12	189	109	154	45	10	17	12.000
902348		239	139	204	65	10	17	
902349	M16	189	109	154	45	13	19	15.000
902350		239	139	204	65	13	19	
902351	M20	189	109	154	45	17	24	15.000
902352		239	139	204	65	17	24	
902353	M24	189	109	154	45	19	30	15.000
902354		239	139	204	65	19	30	
902355	M30	189	109	154	45	24	36	15.000
902356		239	139	204	65	24	36	
902357		299	199	264	65	24	36	
902358	M36	189	109	154	45	30	42	15.000
902359		239	139	204	65	30	42	
902360		299	199	264	65	30	42	

The S400B-SPLIT series, with overmolded baseplate in AISI 304 stainless steel and separate threaded spindle with complete closure cover is the best choice for industrial environments where a high level of hygiene is required, like food, chemical and pharmaceutical industries. The stainless steel baseplate and its particular shape guarantee an excellent cleanability, especially in critical conditions; the stainless steel cover avoids exposure of the thread part to external agents and the NBR rubber guarantees anti-slip proprieties and hermetic closure between the leveler and the floor.

Maximum compressive strength (static load) as in the table, maximum tensile strength (static load) not available because the baseplate and the spindle are separate.

DIAMETER

105
mm

ANTI-SLIP



SPLIT VERSION

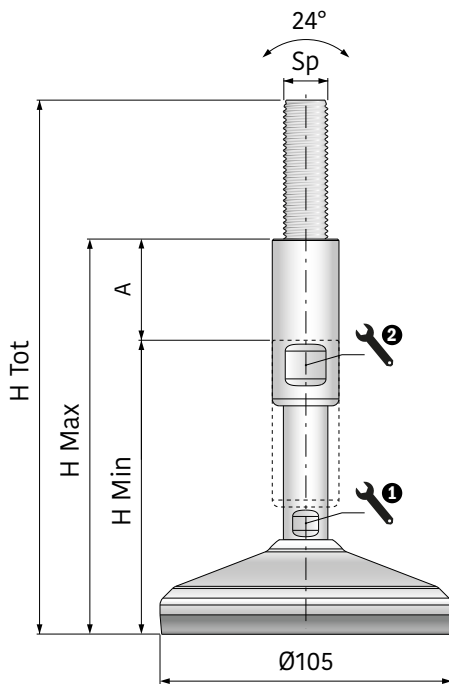


S400B SPLIT

HYGIENIC STAINLESS STEEL
LEVELER

Main features:

- Overmolded baseplate in AISI 304 stainless steel
- Spindle and cover in AISI 304 stainless steel
- Separate spindle and baseplate
- Vulcanized anti-slip NBR rubber



Art-Nr.	Sp	H Tot (mm)	H Min (mm)	H Max (mm)	A (mm)	1 (mm)	2 (mm)	Load (N)
902361	M12	194	114	159	45	10	17	12.000
902362		244	144	209	65	10	17	
902363	M16	194	114	159	45	13	19	25.000
902364		244	144	209	65	13	19	
902365	M20	194	114	159	45	17	24	25.000
902366		244	144	209	65	17	24	
902367	M24	194	114	159	45	19	30	25.000
902368		244	144	209	65	19	30	
902369	M30	194	114	159	45	24	36	25.000
902370		244	144	209	65	24	36	
902371		304	204	269	65	24	36	
902372	M36	194	114	159	45	30	42	25.000
902373		244	144	209	65	30	42	
902374		304	204	269	65	30	42	

The S400B-SPLIT series, with overmolded baseplate in AISI 304 stainless steel and separate threaded spindle with complete closure cover is the best choice for industrial environments where a high level of hygiene is required, like food, chemical and pharmaceutical industries. The stainless steel baseplate and its particular shape guarantee an excellent cleanability, especially in critical conditions; the stainless steel cover avoids exposure of the thread part to external agents and the NBR rubber guarantees anti-slip proprieties and hermetic closure between the leveler and the floor.

Maximum compressive strength (static load) as in the table, maximum tensile strength (static load) not available because the baseplate and the spindle are separate.

S400B SPLIT

HYGIENIC STAINLESS STEEL
LEVELER

Main features:

- Overmolded baseplate in AISI 304 stainless steel
- Spindle and cover in AISI 304 stainless steel
- Separate spindle and baseplate
- Vulcanized anti-slip NBR rubber



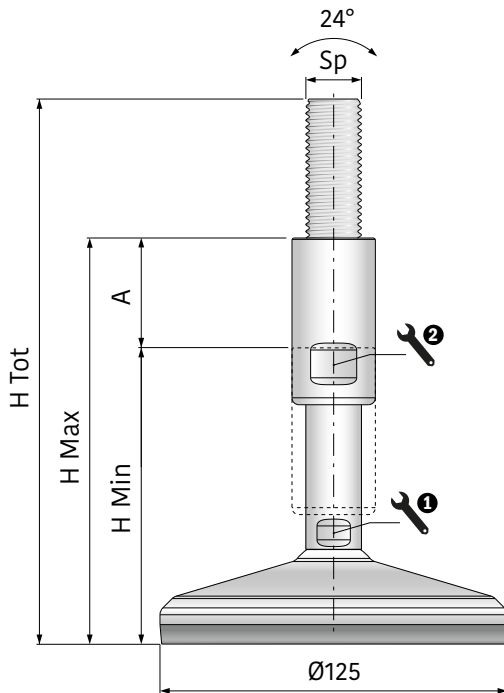
DIAMETER

125
mm

ANTI-SLIP



SPLIT VERSION



Art-Nr.	Sp	H Tot (mm)	H Min (mm)	H Max (mm)	A (mm)	1 (mm)	2 (mm)	Load (N)
902375	M12	194	114	159	45	10	17	12.000
902376		244	144	209	65	10	17	
902377	M16	194	114	159	45	13	19	30.000
902378		244	144	209	65	13	19	
902379	M20	194	114	159	45	17	24	30.000
902380		244	144	209	65	17	24	
902381	M24	194	114	159	45	19	30	30.000
902382		244	144	209	65	19	30	
902383	M30	194	114	159	45	24	36	30.000
902384		244	144	209	65	24	36	
902385		304	204	269	65	24	36	
902386	M36	194	114	159	45	30	42	30.000
902387		244	144	209	65	30	42	
902388		304	204	269	65	30	42	

The S400B-SPLIT series, with overmolded baseplate in AISI 304 stainless steel and separate threaded spindle with complete closure cover is the best choice for industrial environments where a high level of hygiene is required, like food, chemical and pharmaceutical industries. The stainless steel baseplate and its particular shape guarantee an excellent cleanability, especially in critical conditions; the stainless steel cover avoids exposure of the thread part to external agents and the NBR rubber guarantees anti-slip proprieties and hermetic closure between the leveler and the floor.

Maximum compressive strength (static load) as in the table, maximum tensile strength (static load) not available because the baseplate and the spindle are separate.

DIAMETER

150
mm

ANTI-SLIP



SPLIT VERSION

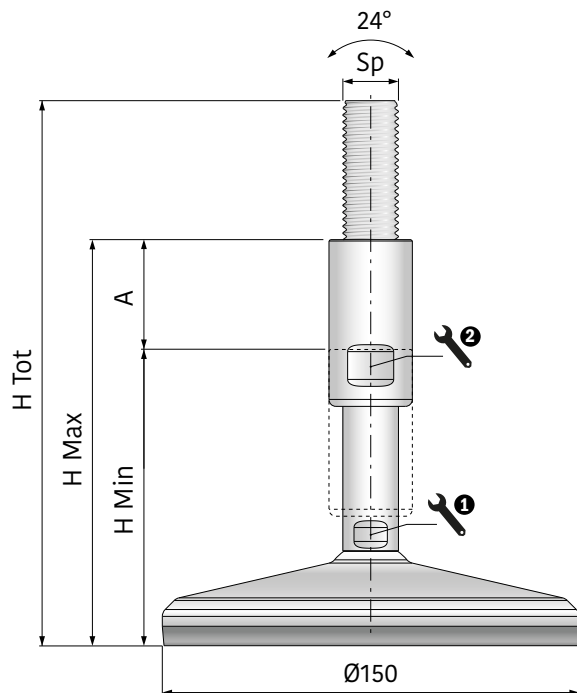


S400B SPLIT

HYGIENIC STAINLESS STEEL
LEVELER

Main features:

- Overmolded baseplate in AISI 304 stainless steel
- Spindle and cover in AISI 304 stainless steel
- Separate spindle and baseplate
- Vulcanized anti-slip NBR rubber



Art-Nr.	Sp	H Tot (mm)	H Min (mm)	H Max (mm)	A (mm)	1 (mm)	2 (mm)	Load (N)
902389	M12	194	114	159	45	10	17	12.000
902390		244	144	209	65	10	17	
902391	M16	194	114	159	45	13	19	30.000
902392		244	144	209	65	13	19	
902393	M20	194	114	159	45	17	24	45.000
902394		244	144	209	65	17	24	
902395	M24	194	114	159	45	19	30	45.000
902396		244	144	209	65	19	30	
902397	M30	194	114	159	45	24	36	45.000
902398		244	144	209	65	24	36	
902399		304	204	269	65	24	36	
902400	M36	194	114	159	45	30	42	45.000
902401		244	144	209	65	30	42	
902402		304	204	269	65	30	42	

The S400B-SPLIT series, with overmolded baseplate in AISI 304 stainless steel and separate threaded spindle with complete closure cover is the best choice for industrial environments where a high level of hygiene is required, like food, chemical and pharmaceutical industries. The stainless steel baseplate and its particular shape guarantee an excellent cleanability, especially in critical conditions; the stainless steel cover avoids exposure of the thread part to external agents and the NBR rubber guarantees anti-slip proprieties and hermetic closure between the leveler and the floor.

Maximum compressive strength (static load) as in the table, maximum tensile strength (static load) not available because the baseplate and the spindle are separate.

S400B HEAVY

HYGIENIC STAINLESS STEEL
LEVELER

Main features:

- Full machined baseplate in AISI 304 stainless steel
- Spindle and cover in AISI 304 stainless steel
- Washer in AISI 304 stainless steel

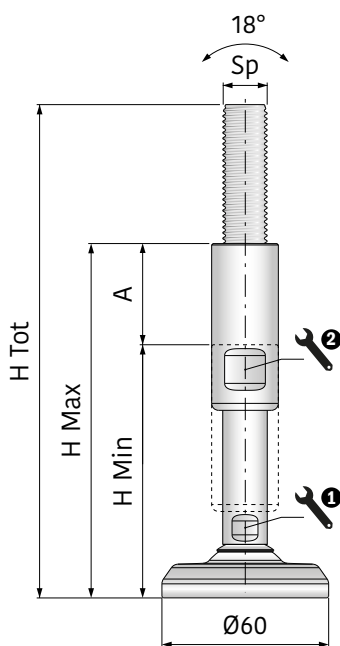


DIAMETER

60
mm

HIGH LOAD

Kg



Art-Nr.	Sp	H Tot (mm)	H Min (mm)	H Max (mm)	A (mm)	1 (mm)	2 (mm)	Load (N)
902403	M12	177,5	97,5	142,5	45	10	17	12.000
902404		227,5	127,5	192,5	65	10	17	
902405	M16	177,5	97,5	142,5	45	13	19	30.000
902406		227,5	127,5	192,5	65	13	19	
902407	M20	177,5	97,5	142,5	45	17	24	45.000
902408		227,5	127,5	192,5	65	17	24	
902409	M24	177,5	97,5	142,5	45	19	30	60.000
902410		227,5	127,5	192,5	65	19	30	
902411	M30	177,5	97,5	142,5	45	24	36	60.000
902412		227,5	127,5	192,5	65	24	36	
902413		287,5	187,5	252,5	65	24	36	
902414	M36	177,5	97,5	142,5	45	30	42	60.000
902415		227,5	127,5	192,5	65	30	42	
902416		287,5	187,5	252,5	65	30	42	

The S400B-HEAVY series, with full machined baseplate in AISI 304 stainless steel, threaded spindle with complete closure cover and stainless steel washer is the best choice for industrial environments where a high level of hygiene is required, like food, chemical and pharmaceutical industries.

The stainless steel baseplate and its particular shape guarantee high load resistance and an excellent cleanability, even in critical conditions; the stainless steel cover avoids exposure of the thread part to external agents and the stainless steel washer ensures complete closure between the spindle and the baseplate.

Maximum compressive strength (static load) as in the table, maximum tensile strength (static load) 8.000 N

DIAMETER

80
mm

HIGH LOAD

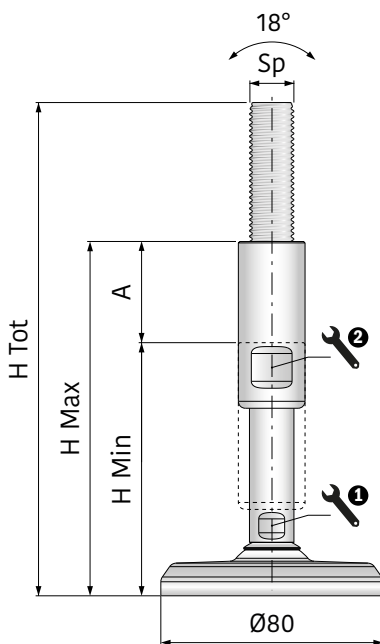
Kg

S400B HEAVY

HYGIENIC STAINLESS STEEL
LEVELER

Main features:

- Full machined baseplate in AISI 304 stainless steel
- Spindle and cover in AISI 304 stainless steel
- Washer in AISI 304 stainless steel



Art-Nr.	Sp	H Tot (mm)	H Min (mm)	H Max (mm)	A (mm)	1 (mm)	2 (mm)	Load (N)
902417	M12	177,5	97,5	142,5	45	10	17	12.000
902418		227,5	127,5	192,5	65	10	17	
902419	M16	177,5	97,5	142,5	45	13	19	30.000
902420		227,5	127,5	192,5	65	13	19	
902421	M20	177,5	97,5	142,5	45	17	24	45.000
902422		227,5	127,5	192,5	65	17	24	
902423	M24	177,5	97,5	142,5	45	19	30	70.000
902424		227,5	127,5	192,5	65	19	30	
902425	M30	177,5	97,5	142,5	45	24	36	80.000
902426		227,5	127,5	192,5	65	24	36	
902427		287,5	187,5	252,5	65	24	36	
902428	M36	177,5	97,5	142,5	45	30	42	80.000
902429		227,5	127,5	192,5	65	30	42	
902430		287,5	187,5	252,5	65	30	42	

The S400B-HEAVY series, with full machined baseplate in AISI 304 stainless steel, threaded spindle with complete closure cover and stainless steel washer is the best choice for industrial environments where a high level of hygiene is required, like food, chemical and pharmaceutical industries.

The stainless steel baseplate and its particular shape guarantee high load resistance and an excellent cleanability, even in critical conditions; the stainless steel cover avoids exposure of the thread part to external agents and the stainless steel washer ensures complete closure between the spindle and the baseplate.

Maximum compressive strength (static load) as in the table, maximum tensile strength (static load) 8.000 N

S400B HEAVY

HYGIENIC STAINLESS STEEL
LEVELER

Main features:

- Full machined baseplate in AISI 304 stainless steel
- Spindle and cover in AISI 304 stainless steel
- Washer in AISI 304 stainless steel

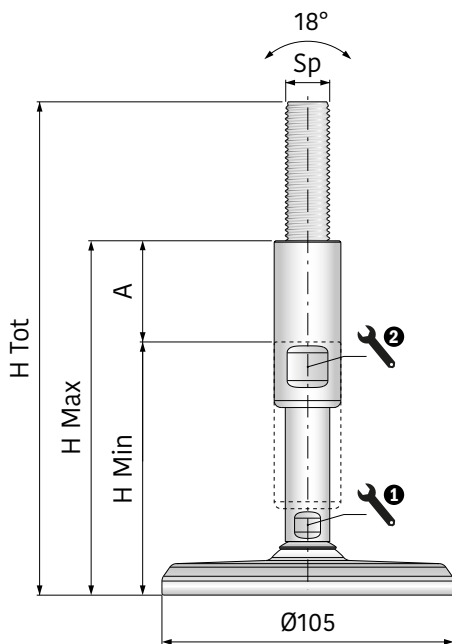


DIAMETER

105
mm

HIGH LOAD

Kg



Art-Nr.	Sp	H Tot (mm)	H Min (mm)	H Max (mm)	A (mm)	1 (mm)	2 (mm)	Load (N)
902431	M12	177,5	97,5	142,5	45	10	17	12.000
902432		227,5	127,5	192,5	65	10	17	
902433	M16	177,5	97,5	142,5	45	13	19	30.000
902434		227,5	127,5	192,5	65	13	19	
902435	M20	177,5	97,5	142,5	45	17	24	45.000
902436		227,5	127,5	192,5	65	17	24	
902437	M24	177,5	97,5	142,5	45	19	30	70.000
902438		227,5	127,5	192,5	65	19	30	
902439	M30	177,5	97,5	142,5	45	24	36	100.000
902440		227,5	127,5	192,5	65	24	36	
902441		287,5	187,5	252,5	65	24	36	
902442	M36	177,5	97,5	142,5	45	30	42	120.000
902443		227,5	127,5	192,5	65	30	42	
902444		287,5	187,5	252,5	65	30	42	

The S400B-HEAVY series, with full machined baseplate in AISI 304 stainless steel, threaded spindle with complete closure cover and stainless steel washer is the best choice for industrial environments where a high level of hygiene is required, like food, chemical and pharmaceutical industries.

The stainless steel baseplate and its particular shape guarantee high load resistance and an excellent cleanability, even in critical conditions; the stainless steel cover avoids exposure of the thread part to external agents and the stainless steel washer ensures complete closure between the spindle and the baseplate.

Maximum compressive strength (static load) as in the table, maximum tensile strength (static load) 8.000 N

DIAMETER

125
mm

HIGH LOAD

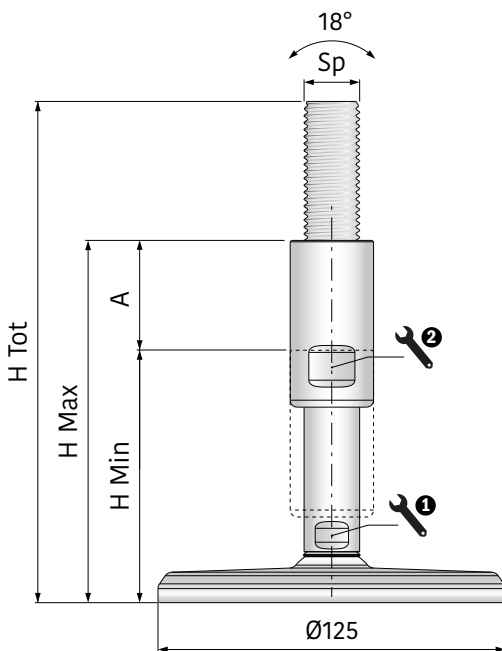


S400B HEAVY

HYGIENIC STAINLESS STEEL
LEVELER

Main features:

- Full machined baseplate in AISI 304 stainless steel
- Spindle and cover in AISI 304 stainless steel
- Washer in AISI 304 stainless steel



Art-Nr.	Sp	H Tot (mm)	H Min (mm)	H Max (mm)	A (mm)	1 (mm)	2 (mm)	Load (N)
902445	M12	177,5	97,5	142,5	45	10	17	12.000
902446		227,5	127,5	192,5	65	10	17	
902447	M16	177,5	97,5	142,5	45	13	19	30.000
902448		227,5	127,5	192,5	65	13	19	
902449	M20	177,5	97,5	142,5	45	17	24	45.000
902450		227,5	127,5	192,5	65	17	24	
902451	M24	177,5	97,5	142,5	45	19	30	70.000
902452		227,5	127,5	192,5	65	19	30	
902453	M30	177,5	97,5	142,5	45	24	36	100.000
902454		227,5	127,5	192,5	65	24	36	
902455		287,5	187,5	252,5	65	24	36	
902456	M36	177,5	97,5	142,5	45	30	42	130.000
902457		227,5	127,5	192,5	65	30	42	
902458		287,5	187,5	252,5	65	30	42	

The S400B-HEAVY series, with full machined baseplate in AISI 304 stainless steel, threaded spindle with complete closure cover and stainless steel washer is the best choice for industrial environments where a high level of hygiene is required, like food, chemical and pharmaceutical industries.

The stainless steel baseplate and its particular shape guarantee high load resistance and an excellent cleanability, even in critical conditions; the stainless steel cover avoids exposure of the thread part to external agents and the stainless steel washer ensures complete closure between the spindle and the baseplate.

Maximum compressive strength (static load) as in the table, maximum tensile strength (static load) 8.000 N

S400B HEAVY

HYGIENIC STAINLESS STEEL
LEVELER

Main features:

- Full machined baseplate in AISI 304 stainless steel
- Spindle and cover in AISI 304 stainless steel
- Washer in AISI 304 stainless steel

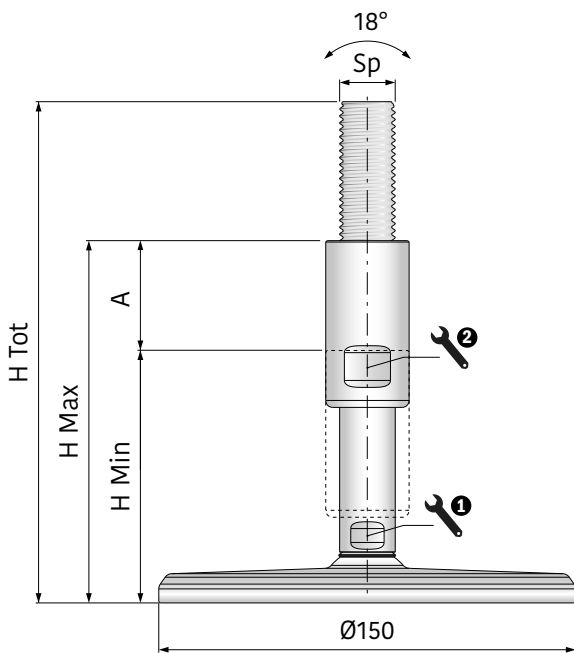


DIAMETER

150
mm

HIGH LOAD

Kg



Art-Nr.	Sp	H Tot (mm)	H Min (mm)	H Max (mm)	A (mm)	1 (mm)	2 (mm)	Load (N)
902459	M12	177,5	97,5	142,5	45	10	17	12.000
902460		227,5	127,5	192,5	65	10	17	
902461	M16	177,5	97,5	142,5	45	13	19	30.000
902462		227,5	127,5	192,5	65	13	19	
902463	M20	177,5	97,5	142,5	45	17	24	45.000
902464		227,5	127,5	192,5	65	17	24	
902465	M24	177,5	97,5	142,5	45	19	30	70.000
902466		227,5	127,5	192,5	65	19	30	
902467	M30	177,5	97,5	142,5	45	24	36	100.000
902468		227,5	127,5	192,5	65	24	36	
902469		287,5	187,5	252,5	65	24	36	
902470	M36	177,5	97,5	142,5	45	30	42	120.000
902471		227,5	127,5	192,5	65	30	42	
902472		287,5	187,5	252,5	65	30	42	

The S400B-HEAVY series, with full machined baseplate in AISI 304 stainless steel, threaded spindle with complete closure cover and stainless steel washer is the best choice for industrial environments where a high level of hygiene is required, like food, chemical and pharmaceutical industries.

The stainless steel baseplate and its particular shape guarantee high load resistance and an excellent cleanability, even in critical conditions; the stainless steel cover avoids exposure of the thread part to external agents and the stainless steel washer ensures complete closure between the spindle and the baseplate.

Maximum compressive strength (static load) as in the table, maximum tensile strength (static load) 8.000 N

DIAMETER

60
mm

HIGH LOAD

Kg

ANTI-SLIP

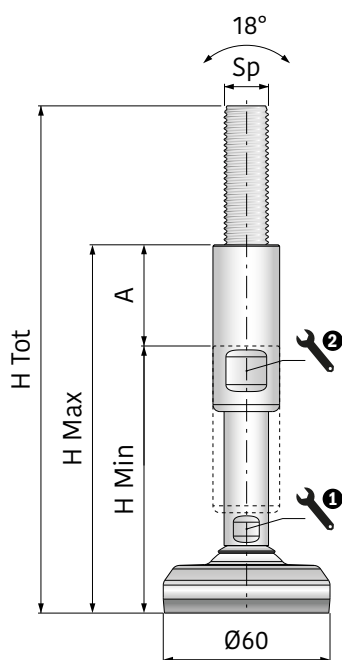


S400B HEAVY

HYGIENIC STAINLESS STEEL
LEVELER

Main features:

- Full machined baseplate in AISI 304 stainless steel
- Spindle and cover in AISI 304 stainless steel
- Washer in AISI 304 stainless steel
- Vulcanized anti-slip NBR rubber



Art-Nr.	Sp	H Tot (mm)	H Min (mm)	H Max (mm)	A (mm)	1 (mm)	2 (mm)	Load (N)
902473	M12	182,5	102,5	147,5	45	10	17	12.000
902474		232,5	132,5	197,5	65	10	17	
902475	M16	182,5	102,5	147,5	45	13	19	30.000
902476		232,5	132,5	197,5	65	13	19	
902477	M20	182,5	102,5	147,5	45	17	24	45.000
902478		232,5	132,5	197,5	65	17	24	
902479	M24	182,5	102,5	147,5	45	19	30	60.000
902480		232,5	132,5	197,5	65	19	30	
902481	M30	182,5	102,5	147,5	45	24	36	60.000
902482		232,5	132,5	197,5	65	24	36	
902483		292,5	192,5	257,5	65	24	36	
902484	M36	182,5	102,5	147,5	45	30	42	60.000
902485		232,5	132,5	197,5	65	30	42	
902486		292,5	192,5	257,5	65	30	42	

The S400B-HEAVY series, with full machined baseplate in AISI 304 stainless steel, threaded spindle with complete closure cover and stainless steel washer is the best choice for industrial environments where a high level of hygiene is required, like food, chemical and pharmaceutical industries.

The stainless steel baseplate and its particular shape guarantee high load resistance and an excellent cleanability, especially in critical conditions; the stainless steel cover avoids exposure of the thread part to external agents; the stainless steel washer ensures complete closure between the spindle and the baseplate and the NBR rubber guarantees anti-slip proprieties and hermetic closure between the leveler and the floor.

Maximum compressive strength (static load) as in the table, maximum tensile strength (static load) 8.000 N

S400B HEAVY

HYGIENIC STAINLESS STEEL
LEVELER

Main features:

- Full machined baseplate in AISI 304 stainless steel
- Spindle and cover in AISI 304 stainless steel
- Washer in AISI 304 stainless steel
- Vulcanized anti-slip NBR rubber



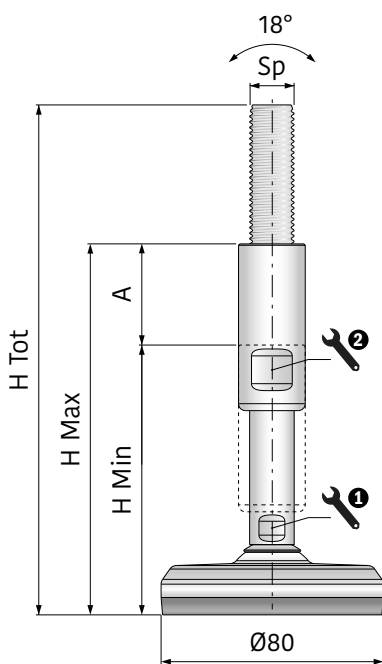
DIAMETER

80
mm

HIGH LOAD

Kg

ANTI-SLIP



Art-Nr.	Sp	H Tot (mm)	H Min (mm)	H Max (mm)	A (mm)	1 (mm)	2 (mm)	Load (N)
902487	M12	183,5	103,5	148,5	45	10	17	12.000
902488		233,5	133,5	198,5	65	10	17	
902489	M16	183,5	103,5	148,5	45	13	19	30.000
902490		233,5	133,5	198,5	65	13	19	
902491	M20	183,5	103,5	148,5	45	17	24	45.000
902492		233,5	133,5	198,5	65	17	24	
902493	M24	183,5	103,5	148,5	45	19	30	70.000
902494		233,5	133,5	198,5	65	19	30	
902495	M30	183,5	103,5	148,5	45	24	36	80.000
902496		233,5	133,5	198,5	65	24	36	
902497		293,5	193,5	258,5	65	24	36	
902498	M36	183,5	103,5	148,5	45	30	42	80.000
902499		233,5	133,5	198,5	65	30	42	
902500		293,5	193,5	258,5	65	30	42	

The S400B-HEAVY series, with full machined baseplate in AISI 304 stainless steel, threaded spindle with complete closure cover and stainless steel washer is the best choice for industrial environments where a high level of hygiene is required, like food, chemical and pharmaceutical industries.

The stainless steel baseplate and its particular shape guarantee high load resistance and an excellent cleanability, especially in critical conditions; the stainless steel cover avoids exposure of the thread part to external agents; the stainless steel washer ensures complete closure between the spindle and the baseplate and the NBR rubber guarantees anti-slip proprieties and hermetic closure between the leveler and the floor.

Maximum compressive strength (static load) as in the table, maximum tensile strength (static load) 8.000 N

DIAMETER

105
mm

HIGH LOAD



ANTI-SLIP

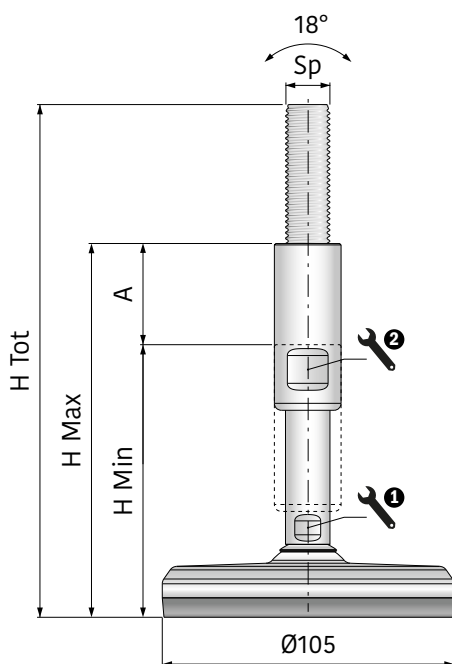


S400B HEAVY

HYGIENIC STAINLESS STEEL
LEVELER

Main features:

- Full machined baseplate in AISI 304 stainless steel
- Spindle and cover in AISI 304 stainless steel
- Washer in AISI 304 stainless steel
- Vulcanized anti-slip NBR rubber



Art-Nr.	Sp	H Tot (mm)	H Min (mm)	H Max (mm)	A (mm)	1 (mm)	2 (mm)	Load (N)
902501	M12	184,5	104,5	149,5	45	10	17	12.000
902502		234,5	134,5	199,5	65	10	17	
902503	M16	184,5	104,5	149,5	45	13	19	30.000
902504		234,5	134,5	199,5	65	13	19	
902505	M20	184,5	104,5	149,5	45	17	24	45.000
902506		234,5	134,5	199,5	65	17	24	
902507	M24	184,5	104,5	149,5	45	19	30	70.000
902508		234,5	134,5	199,5	65	19	30	
902509	M30	184,5	104,5	149,5	45	24	36	100.000
902510		234,5	134,5	199,5	65	24	36	
902511		294,5	194,5	259,5	65	24	36	
902512	M36	184,5	104,5	149,5	45	30	42	120.000
902513		234,5	134,5	199,5	65	30	42	
902514		294,5	194,5	259,5	65	30	42	

The S400B-HEAVY series, with full machined baseplate in AISI 304 stainless steel, threaded spindle with complete closure cover and stainless steel washer is the best choice for industrial environments where a high level of hygiene is required, like food, chemical and pharmaceutical industries.

The stainless steel baseplate and its particular shape guarantee high load resistance and an excellent cleanability, especially in critical conditions; the stainless steel cover avoids exposure of the thread part to external agents; the stainless steel washer ensures complete closure between the spindle and the baseplate and the NBR rubber guarantees anti-slip properties and hermetic closure between the leveler and the floor.

Maximum compressive strength (static load) as in the table, maximum tensile strength (static load) 8.000 N

S400B HEAVY

HYGIENIC STAINLESS STEEL
LEVELER

Main features:

- Full machined baseplate in AISI 304 stainless steel
- Spindle and cover in AISI 304 stainless steel
- Washer in AISI 304 stainless steel
- Vulcanized anti-slip NBR rubber



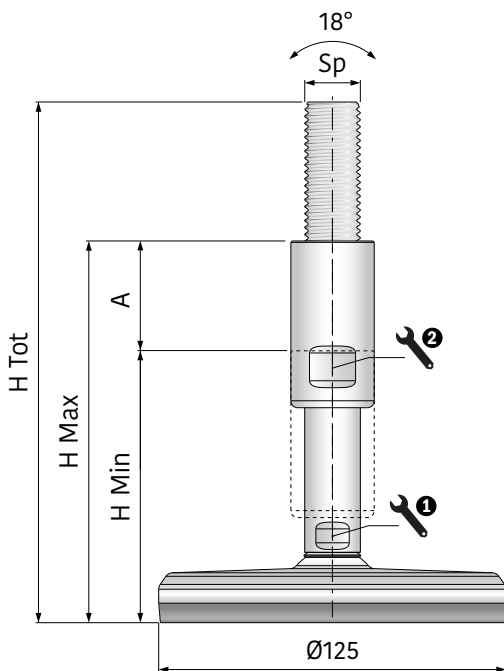
DIAMETER

125
mm

HIGH LOAD



ANTI-SLIP



Art-Nr.	Sp	H Tot (mm)	H Min (mm)	H Max (mm)	A (mm)	1 (mm)	2 (mm)	Load (N)
902515	M12	184,5	104,5	149,5	45	10	17	12.000
902516		234,5	134,5	199,5	65	10	17	
902517	M16	184,5	104,5	149,5	45	13	19	30.000
902518		234,5	134,5	199,5	65	13	19	
902519	M20	184,5	104,5	149,5	45	17	24	45.000
902520		234,5	134,5	199,5	65	17	24	
902521	M24	184,5	104,5	149,5	45	19	30	70.000
902522		234,5	134,5	199,5	65	19	30	
902523	M30	184,5	104,5	149,5	45	24	36	100.000
902524		234,5	134,5	199,5	65	24	36	
902525		294,5	194,5	259,5	65	24	36	
902526	M36	184,5	104,5	149,5	45	30	42	130.000
902527		234,5	134,5	199,5	65	30	42	
902528		294,5	194,5	259,5	65	30	42	

The S400B-HEAVY series, with full machined baseplate in AISI 304 stainless steel, threaded spindle with complete closure cover and stainless steel washer is the best choice for industrial environments where a high level of hygiene is required, like food, chemical and pharmaceutical industries.

The stainless steel baseplate and its particular shape guarantee high load resistance and an excellent cleanability, especially in critical conditions; the stainless steel cover avoids exposure of the thread part to external agents; the stainless steel washer ensures complete closure between the spindle and the baseplate and the NBR rubber guarantees anti-slip proprieties and hermetic closure between the leveler and the floor.

Maximum compressive strength (static load) as in the table, maximum tensile strength (static load) 8.000 N

DIAMETER

150
mm

HIGH LOAD



ANTI-SLIP

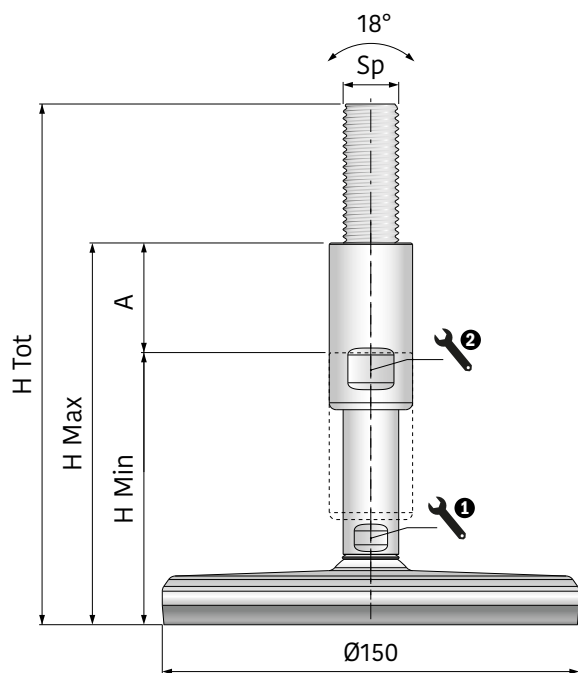


S400B HEAVY

HYGIENIC STAINLESS STEEL
LEVELER

Main features:

- Full machined baseplate in AISI 304 stainless steel
- Spindle and cover in AISI 304 stainless steel
- Washer in AISI 304 stainless steel
- Vulcanized anti-slip NBR rubber



Art-Nr.	Sp	H Tot (mm)	H Min (mm)	H Max (mm)	A (mm)	1 (mm)	2 (mm)	Load (N)
902529	M12	184,5	104,5	149,5	45	10	17	12.000
902530		234,5	134,5	199,5	65	10	17	
902531	M16	184,5	104,5	149,5	45	13	19	30.000
902532		234,5	134,5	199,5	65	13	19	
902533	M20	184,5	104,5	149,5	45	17	24	45.000
902534		234,5	134,5	199,5	65	17	24	
902535	M24	184,5	104,5	149,5	45	19	30	70.000
902536		234,5	134,5	199,5	65	19	30	
902537	M30	184,5	104,5	149,5	45	24	36	100.000
902538		234,5	134,5	199,5	65	24	36	
902539		294,5	194,5	259,5	65	24	36	
902540	M36	184,5	104,5	149,5	45	30	42	150.000
902541		234,5	134,5	199,5	65	30	42	
902542		294,5	194,5	259,5	65	30	42	

The S400B-HEAVY series, with full machined baseplate in AISI 304 stainless steel, threaded spindle with complete closure cover and stainless steel washer is the best choice for industrial environments where a high level of hygiene is required, like food, chemical and pharmaceutical industries.

The stainless steel baseplate and its particular shape guarantee high load resistance and an excellent cleanability, especially in critical conditions; the stainless steel cover avoids exposure of the thread part to external agents; the stainless steel washer ensures complete closure between the spindle and the baseplate and the NBR rubber guarantees anti-slip properties and hermetic closure between the leveler and the floor.

Maximum compressive strength (static load) as in the table, maximum tensile strength (static load) 8.000 N

S400B HEAVY

HYGIENIC STAINLESS STEEL
LEVELER

Main features:

- Full machined baseplate in AISI 304 stainless steel
- Spindle and cover in AISI 304 stainless steel
- Washer in AISI 304 stainless steel
- Double floor fixation



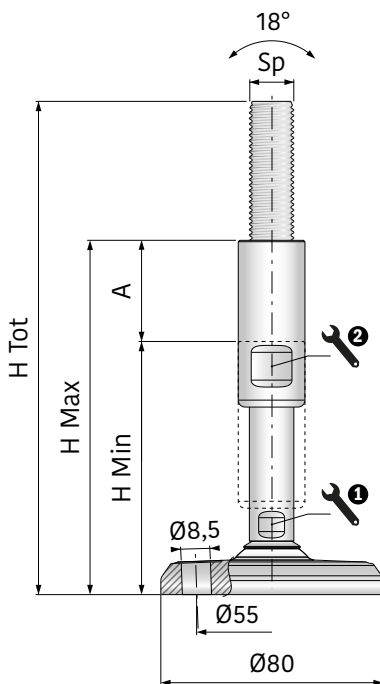
DIAMETER

80
mm

HIGH LOAD

Kg

FIXING



Art-Nr.	Sp	H Tot (mm)	H Min (mm)	H Max (mm)	A (mm)	1 (mm)	2 (mm)	Load (N)
902557	M12	177,5	97,5	142,5	45	10	17	12.000
902558		227,5	127,5	192,5	65	10	17	
902559	M16	177,5	97,5	142,5	45	13	19	30.000
902560		227,5	127,5	192,5	65	13	19	
902561	M20	177,5	97,5	142,5	45	17	24	45.000
902562		227,5	127,5	192,5	65	17	24	
902563	M24	177,5	97,5	142,5	45	19	30	70.000
902564		227,5	127,5	192,5	65	19	30	
902565	M30	177,5	97,5	142,5	45	24	36	80.000
902566		227,5	127,5	192,5	65	24	36	
902567		287,5	187,5	252,5	65	24	36	
902568	M36	177,5	97,5	142,5	45	30	42	80.000
902569		227,5	127,5	192,5	65	30	42	
902570		287,5	187,5	252,5	65	30	42	

The S400B-HEAVY series, with full machined baseplate in AISI 304 stainless steel, threaded spindle with complete closure cover and stainless steel washer is the best choice for industrial environments where a high level of hygiene is required, like food, chemical and pharmaceutical industries.

The stainless steel baseplate and its particular shape guarantee high load resistance and an excellent cleanability, especially in critical conditions; the stainless steel cover avoids exposure of the thread part to external agents and the stainless steel washer ensures complete closure between the spindle and the baseplate.

Maximum compressive strength (static load) as in the table, maximum tensile strength (static load) 8.000 N

DIAMETER

105
mm

HIGH LOAD



FIXING

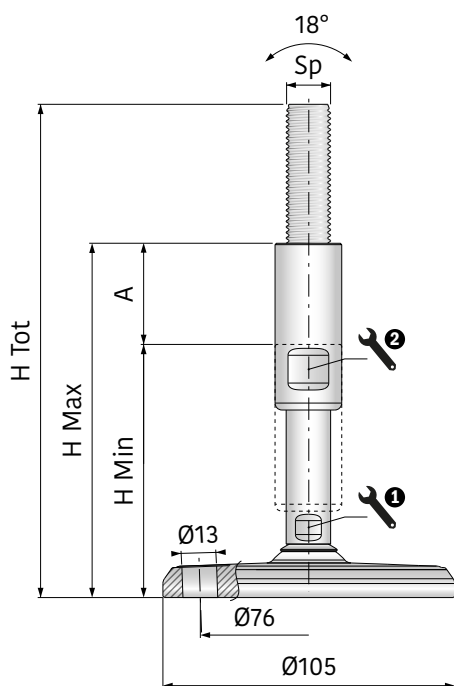


S400B HEAVY

HYGIENIC STAINLESS STEEL
LEVELER

Main features:

- Full machined baseplate in AISI 304 stainless steel
- Spindle and cover in AISI 304 stainless steel
- Washer in AISI 304 stainless steel
- Double floor fixation



Art-Nr.	Sp	H Tot (mm)	H Min (mm)	H Max (mm)	A (mm)	1 (mm)	2 (mm)	Load (N)
902571	M12	177,5	97,5	142,5	45	10	17	12.000
902572		227,5	127,5	192,5	65	10	17	
902573	M16	177,5	97,5	142,5	45	13	19	30.000
902574		227,5	127,5	192,5	65	13	19	
902575	M20	177,5	97,5	142,5	45	17	24	45.000
902576		227,5	127,5	192,5	65	17	24	
902577	M24	177,5	97,5	142,5	45	19	30	70.000
902578		227,5	127,5	192,5	65	19	30	
902579	M30	177,5	97,5	142,5	45	24	36	100.000
902580		227,5	127,5	192,5	65	24	36	
902581		287,5	187,5	252,5	65	24	36	
902582	M36	177,5	97,5	142,5	45	30	42	120.000
902583		227,5	127,5	192,5	65	30	42	
902584		287,5	187,5	252,5	65	30	42	

The S400B-HEAVY series, with full machined baseplate in AISI 304 stainless steel, threaded spindle with complete closure cover and stainless steel washer is the best choice for industrial environments where a high level of hygiene is required, like food, chemical and pharmaceutical industries.

The stainless steel baseplate and its particular shape guarantee high load resistance and an excellent cleanability, especially in critical conditions; the stainless steel cover avoids exposure of the thread part to external agents and the stainless steel washer ensures complete closure between the spindle and the baseplate.

Maximum compressive strength (static load) as in the table, maximum tensile strength (static load) 8.000 N

S400B HEAVY

HYGIENIC STAINLESS STEEL
LEVELER

Main features:

- Full machined baseplate in AISI 304 stainless steel
- Spindle and cover in AISI 304 stainless steel
- Washer in AISI 304 stainless steel
- Double floor fixation



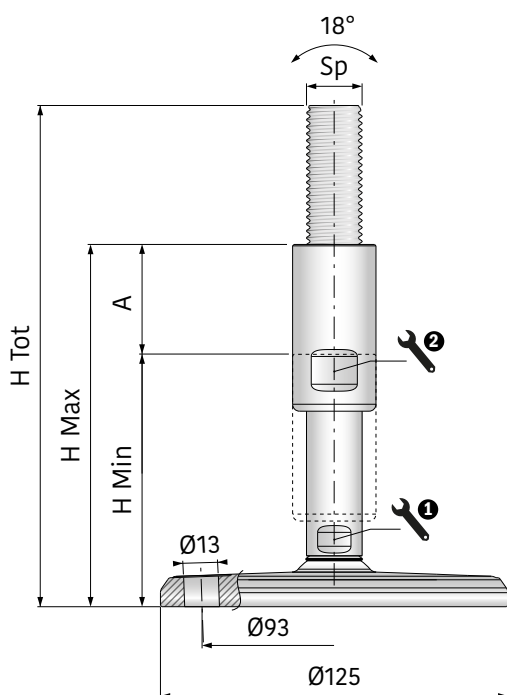
DIAMETER

125
mm

HIGH LOAD

Kg

FIXING



Art-Nr.	Sp	H Tot (mm)	H Min (mm)	H Max (mm)	A (mm)	1 (mm)	2 (mm)	Load (N)
902585	M12	177,5	97,5	142,5	45	10	17	12.000
902586		227,5	127,5	192,5	65	10	17	
902587	M16	177,5	97,5	142,5	45	13	19	30.000
902588		227,5	127,5	192,5	65	13	19	
902589	M20	177,5	97,5	142,5	45	17	24	45.000
902590		227,5	127,5	192,5	65	17	24	
902591	M24	177,5	97,5	142,5	45	19	30	70.000
902592		227,5	127,5	192,5	65	19	30	
902593	M30	177,5	97,5	142,5	45	24	36	100.000
902594		227,5	127,5	192,5	65	24	36	
902595		287,5	187,5	252,5	65	24	36	
902596	M36	177,5	97,5	142,5	45	30	42	130.000
902597		227,5	127,5	192,5	65	30	42	
902598		287,5	187,5	252,5	65	30	42	

The S400B-HEAVY series, with full machined baseplate in AISI 304 stainless steel, threaded spindle with complete closure cover and stainless steel washer is the best choice for industrial environments where a high level of hygiene is required, like food, chemical and pharmaceutical industries.

The stainless steel baseplate and its particular shape guarantee high load resistance and an excellent cleanability, especially in critical conditions; the stainless steel cover avoids exposure of the thread part to external agents and the stainless steel washer ensures complete closure between the spindle and the baseplate.

Maximum compressive strength (static load) as in the table, maximum tensile strength (static load) 8.000 N

DIAMETER

150
mm

HIGH LOAD



FIXING

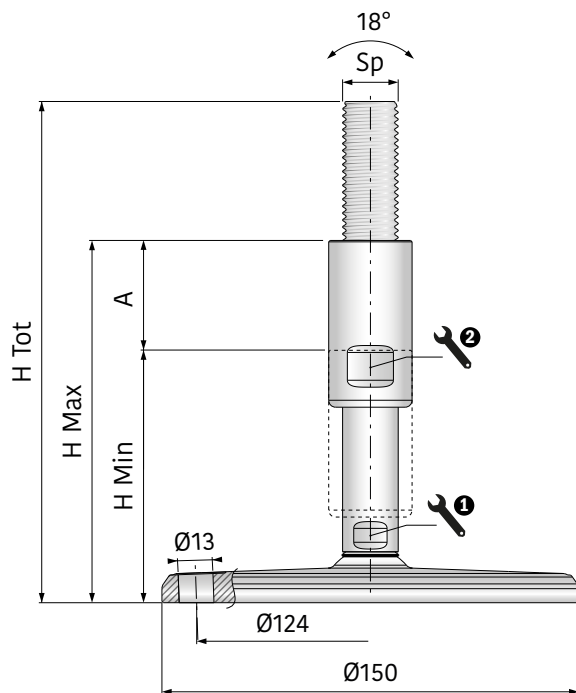


S400B HEAVY

HYGIENIC STAINLESS STEEL
LEVELER

Main features:

- Full machined baseplate in AISI 304 stainless steel
- Spindle and cover in AISI 304 stainless steel
- Washer in AISI 304 stainless steel
- Double floor fixation



Art-Nr.	Sp	H Tot (mm)	H Min (mm)	H Max (mm)	A (mm)	1 (mm)	2 (mm)	Load (N)
902599	M12	177,5	97,5	142,5	45	10	17	12.000
902600		227,5	127,5	192,5	65	10	17	
902601	M16	177,5	97,5	142,5	45	13	19	30.000
902602		227,5	127,5	192,5	65	13	19	
902603	M20	177,5	97,5	142,5	45	17	24	45.000
902604		227,5	127,5	192,5	65	17	24	
902605	M24	177,5	97,5	142,5	45	19	30	70.000
902606		227,5	127,5	192,5	65	19	30	
902607	M30	177,5	97,5	142,5	45	24	36	100.000
902608		227,5	127,5	192,5	65	24	36	
902609		287,5	187,5	252,5	65	24	36	
902610	M36	177,5	97,5	142,5	45	30	42	150.000
902611		227,5	127,5	192,5	65	30	42	
902612		287,5	187,5	252,5	65	30	42	

The S400B-HEAVY series, with full machined baseplate in AISI 304 stainless steel, threaded spindle with complete closure cover and stainless steel washer is the best choice for industrial environments where a high level of hygiene is required, like food, chemical and pharmaceutical industries.

The stainless steel baseplate and its particular shape guarantee high load resistance and an excellent cleanability, especially in critical conditions; the stainless steel cover avoids exposure of the thread part to external agents and the stainless steel washer ensures complete closure between the spindle and the baseplate.

Maximum compressive strength (static load) as in the table, maximum tensile strength (static load) 8.000 N

S400B HEAVY

HYGIENIC STAINLESS STEEL
LEVELER

Main features:

- Full machined baseplate in AISI 304 stainless steel
- Spindle and cover in AISI 304 stainless steel
- Washer in AISI 304 stainless steel
- Vulcanized anti-slip NBR rubber
- Double floor fixation



DIAMETER

80
mm

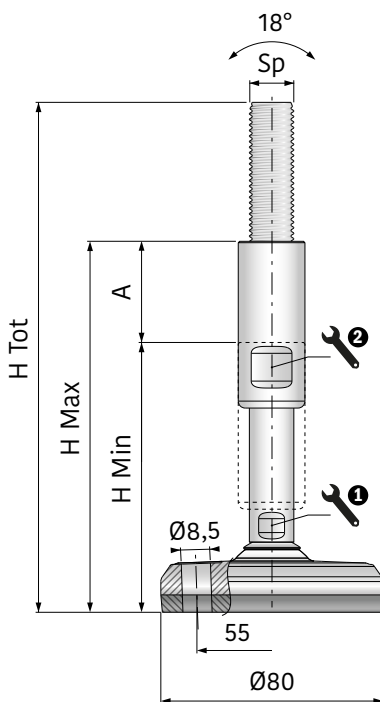
HIGH LOAD

Kg

FIXING



ANTI-SLIP



Art-Nr.	Sp	H Tot (mm)	H Min (mm)	H Max (mm)	A (mm)	1 (mm)	2 (mm)	Load (N)
902627	M12	183,5	103,5	148,5	45	10	17	12.000
902628		233,5	133,5	198,5	65	10	17	
902629	M16	183,5	103,5	148,5	45	13	19	30.000
902630		233,5	133,5	198,5	65	13	19	
902631	M20	183,5	103,5	148,5	45	17	24	45.000
902632		233,5	133,5	198,5	65	17	24	
902633	M24	183,5	103,5	148,5	45	19	30	80.000
902634		233,5	133,5	198,5	65	19	30	
902635	M30	183,5	103,5	148,5	45	24	36	80.000
902636		233,5	133,5	198,5	65	24	36	
902637		293,5	193,5	258,5	65	24	36	
902638	M36	183,5	103,5	148,5	45	30	42	80.000
902639		233,5	133,5	198,5	65	30	42	
902640		293,5	193,5	258,5	65	30	42	

The S400B-HEAVY series, with full machined baseplate in AISI 304 stainless steel, threaded spindle with complete closure cover and stainless steel washer is the best choice for industrial environments where a high level of hygiene is required, like food, chemical and pharmaceutical industries.

The stainless steel baseplate and its particular shape guarantee high load resistance and an excellent cleanability, especially in critical conditions; the stainless steel cover avoids exposure of the thread part to external agents; the stainless steel washer ensures complete closure between the spindle and the baseplate and the NBR rubber guarantees anti-slip proprieties and hermetic closure between the leveler and the floor.

Maximum compressive strength (static load) as in the table, maximum tensile strength (static load) 8.000 N

DIAMETER

105
mm

S400B HEAVY

HYGIENIC STAINLESS STEEL
LEVELER

HIGH LOAD



FIXING

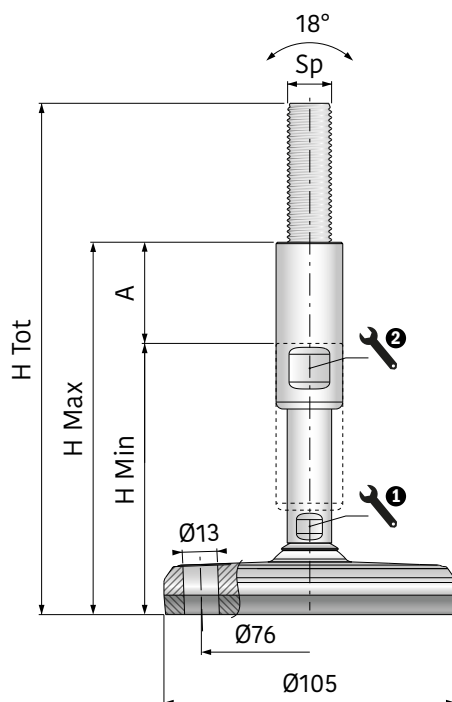


ANTI-SLIP



Main features:

- Full machined baseplate in AISI 304 stainless steel
- Spindle and cover in AISI 304 stainless steel
- Washer in AISI 304 stainless steel
- Vulcanized anti-slip NBR rubber
- Double floor fixation



Art-Nr.	Sp	H Tot (mm)	H Min (mm)	H Max (mm)	A (mm)	1 (mm)	2 (mm)	Load (N)
902641	M12	184,5	104,5	149,5	45	10	17	12.000
902642		234,5	134,5	199,5	65	10	17	
902643	M16	184,5	104,5	149,5	45	13	19	30.000
902644		234,5	134,5	199,5	65	13	19	
902645	M20	184,5	104,5	149,5	45	17	24	45.000
902646		234,5	134,5	199,5	65	17	24	
902647	M24	184,5	104,5	149,5	45	19	30	70.000
902648		234,5	134,5	199,5	65	19	30	
902649	M30	184,5	104,5	149,5	45	24	36	100.000
902650		234,5	134,5	199,5	65	24	36	
902651		294,5	194,5	259,5	65	24	36	
902652	M36	184,5	104,5	149,5	45	30	42	120.000
902653		234,5	134,5	199,5	65	30	42	
902654		294,5	194,5	259,5	65	30	42	

The S400B-HEAVY series, with full machined baseplate in AISI 304 stainless steel, threaded spindle with complete closure cover and stainless steel washer is the best choice for industrial environments where a high level of hygiene is required, like food, chemical and pharmaceutical industries.

The stainless steel baseplate and its particular shape guarantee high load resistance and an excellent cleanability, especially in critical conditions; the stainless steel cover avoids exposure of the thread part to external agents; the stainless steel washer ensures complete closure between the spindle and the baseplate and the NBR rubber guarantees anti-slip proprieties and hermetic closure between the leveler and the floor.

Maximum compressive strength (static load) as in the table, maximum tensile strength (static load) 8.000 N

S400B HEAVY

HYGIENIC STAINLESS STEEL
LEVELER

Main features:

- Full machined baseplate in AISI 304 stainless steel
- Spindle and cover in AISI 304 stainless steel
- Washer in AISI 304 stainless steel
- Vulcanized anti-slip NBR rubber
- Double floor fixation



DIAMETER

125
mm

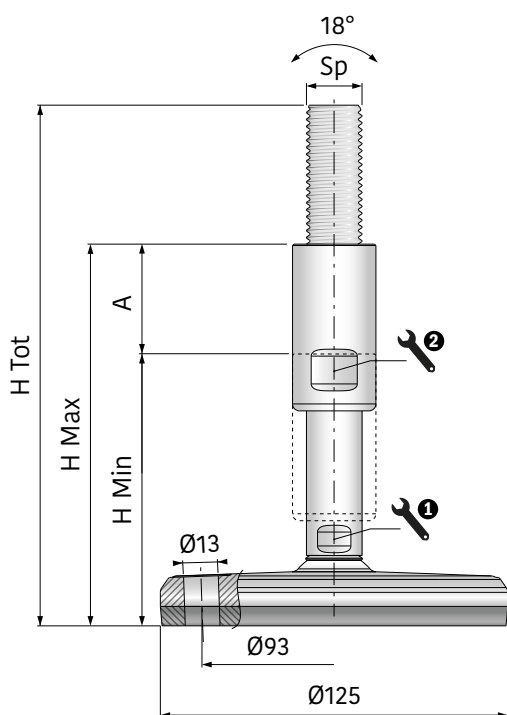
HIGH LOAD



FIXING



ANTI-SLIP



Art-Nr.	Sp	H Tot (mm)	H Min (mm)	H Max (mm)	A (mm)	1 (mm)	2 (mm)	Load (N)
902655	M12	184,5	104,5	149,5	45	10	17	12.000
902656		234,5	134,5	199,5	65	10	17	
902657	M16	184,5	104,5	149,5	45	13	19	30.000
902658		234,5	134,5	199,5	65	13	19	
902659	M20	184,5	104,5	149,5	45	17	24	45.000
902660		234,5	134,5	199,5	65	17	24	
902661	M24	184,5	104,5	149,5	45	19	30	70.000
902662		234,5	134,5	199,5	65	19	30	
902663	M30	184,5	104,5	149,5	45	24	36	100.000
902664		234,5	134,5	199,5	65	24	36	
902665		294,5	194,5	259,5	65	24	36	
902666	M36	184,5	104,5	149,5	45	30	42	130.000
902667		234,5	134,5	199,5	65	30	42	
902668		294,5	194,5	259,5	65	30	42	

The S400B-HEAVY series, with full machined baseplate in AISI 304 stainless steel, threaded spindle with complete closure cover and stainless steel washer is the best choice for industrial environments where a high level of hygiene is required, like food, chemical and pharmaceutical industries.

The stainless steel baseplate and its particular shape guarantee high load resistance and an excellent cleanability, especially in critical conditions; the stainless steel cover avoids exposure of the thread part to external agents; the stainless steel washer ensures complete closure between the spindle and the baseplate and the NBR rubber guarantees anti-slip properties and hermetic closure between the leveler and the floor.

Maximum compressive strength (static load) as in the table, maximum tensile strength (static load) 8.000 N

DIAMETER

150
mm

HIGH LOAD



FIXING



ANTI-SLIP

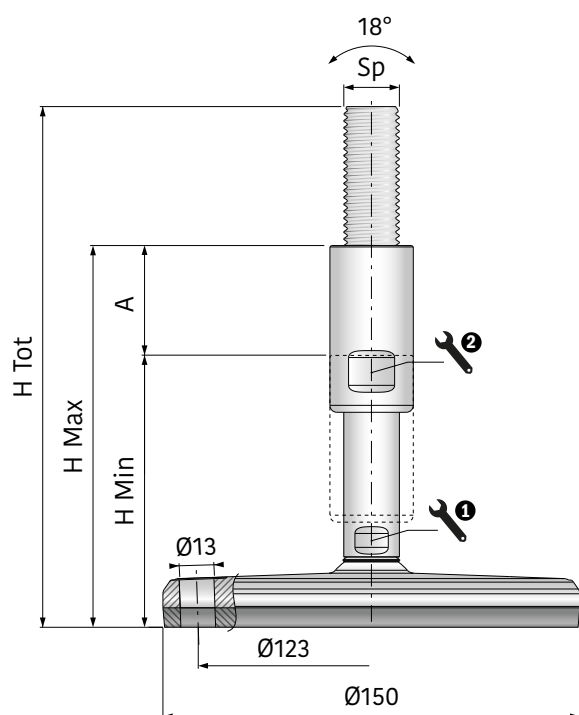


S400B HEAVY

HYGIENIC STAINLESS STEEL
LEVELER

Main features:

- Full machined baseplate in AISI 304 stainless steel
- Spindle and cover in AISI 304 stainless steel
- Washer in AISI 304 stainless steel
- Vulcanized anti-slip NBR rubber
- Double floor fixation



Art-Nr.	Sp	H Tot (mm)	H Min (mm)	H Max (mm)	A (mm)	1 (mm)	2 (mm)	Load (N)
902669	M12	184,5	104,5	149,5	45	10	17	12.000
902670		234,5	134,5	199,5	65	10	17	
902671	M16	184,5	104,5	149,5	45	13	19	30.000
902672		234,5	134,5	199,5	65	13	19	
902673	M20	184,5	104,5	149,5	45	17	24	45.000
902674		234,5	134,5	199,5	65	17	24	
902675	M24	184,5	104,5	149,5	45	19	30	70.000
902676		234,5	134,5	199,5	65	19	30	
902677	M30	184,5	104,5	149,5	45	24	36	100.000
902678		234,5	134,5	199,5	65	24	36	
902679		294,5	194,5	259,5	65	24	36	
902680	M36	184,5	104,5	149,5	45	30	42	150.000
902681		234,5	134,5	199,5	65	30	42	
902682		294,5	194,5	259,5	65	30	42	

The S400B-HEAVY series, with full machined baseplate in AISI 304 stainless steel, threaded spindle with complete closure cover and stainless steel washer is the best choice for industrial environments where a high level of hygiene is required, like food, chemical and pharmaceutical industries.

The stainless steel baseplate and its particular shape guarantee high load resistance and an excellent cleanability, especially in critical conditions; the stainless steel cover avoids exposure of the thread part to external agents; the stainless steel washer ensures complete closure between the spindle and the baseplate and the NBR rubber guarantees anti-slip properties and hermetic closure between the leveler and the floor.

Maximum compressive strength (static load) as in the table, maximum tensile strength (static load) 8.000 N

S400B HEAVY-SPLIT

HYGIENIC STAINLESS STEEL
LEVELER

Main features:

- Full machined baseplate in AISI 304 stainless steel
- Spindle and cover in AISI 304 stainless steel
- Separate spindle and baseplate



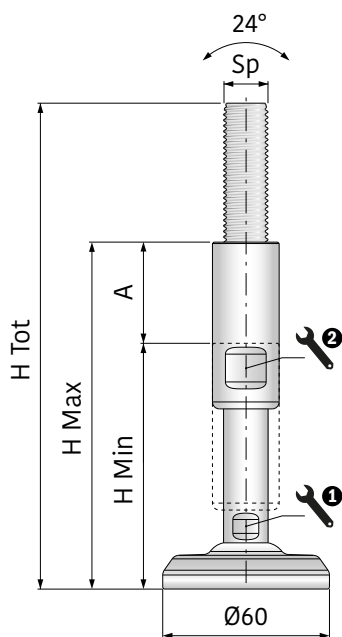
DIAMETER

60
mm

HIGH LOAD

Kg

SPLIT VERSION



Art-Nr.	Sp	H Tot (mm)	H Min (mm)	H Max (mm)	A (mm)	1 (mm)	2 (mm)	Load (N)
902683	M12	176,5	96,5	141,5	45	10	17	12.000
902684		226,5	126,5	191,5	65	10	17	
902685	M16	176,5	96,5	141,5	45	13	19	30.000
902686		226,5	126,5	191,5	65	13	19	
902687	M20	176,5	96,5	141,5	45	17	24	45.000
902688		226,5	126,5	191,5	65	17	24	
902689	M24	176,5	96,5	141,5	45	19	30	60.000
902690		226,5	126,5	191,5	65	19	30	
902691	M30	176,5	96,5	141,5	45	24	36	60.000
902692		226,5	126,5	191,5	65	24	36	
902693		286,5	186,5	251,5	65	24	36	
902694	M36	176,5	96,5	141,5	45	30	42	60.000
902695		226,5	126,5	191,5	65	30	42	
902696		286,5	186,5	251,5	65	30	42	

The S400B-HEAVY-SPLIT series, with full machined baseplate in AISI 304 stainless steel and separate threaded spindle with complete closure cover is the best choice for industrial environments where a high level of hygiene is required, like food, chemical and pharmaceutical industries.

The stainless steel baseplate and its particular shape guarantee high load resistance and an excellent cleanability, especially in critical conditions and the stainless steel cover avoids exposure of the thread part to external agents.

Maximum compressive strength (static load) as in the table, maximum tensile strength (static load) non available because the baseplate and the spindle are separate.

DIAMETER

80
mm

HIGH LOAD

Kg

SPLIT VERSION

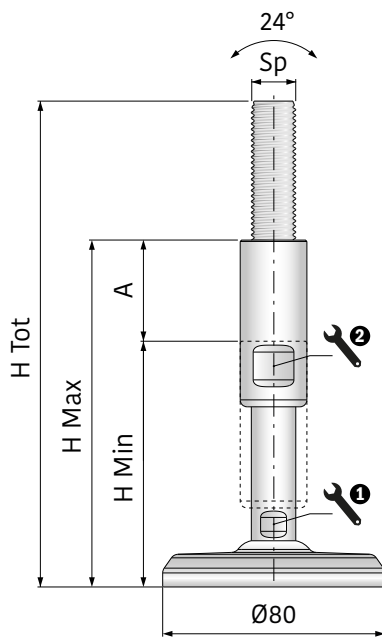


S400B HEAVY-SPLIT

HYGIENIC STAINLESS STEEL
LEVELER

Main features:

- Full machined baseplate in AISI 304 stainless steel
- Spindle and cover in AISI 304 stainless steel
- Separate spindle and baseplate



Art-Nr.	Sp	H Tot (mm)	H Min (mm)	H Max (mm)	A (mm)	1 (mm)	2 (mm)	Load (N)
902697	M12	176,5	97,5	142,5	45	10	17	12.000
902698		226,5	127,5	192,5	65	10	17	
902699	M16	176,5	96,5	141,5	45	13	19	30.000
902700		226,5	126,5	191,5	65	13	19	
902701	M20	176,5	96,5	141,5	45	17	24	45.000
902702		226,5	126,5	191,5	65	17	24	
902703	M24	176,5	96,5	141,5	45	19	30	70.000
902704		226,5	126,5	191,5	65	19	30	
902705	M30	176,5	96,5	141,5	45	24	36	80.000
902706		226,5	126,5	191,5	65	24	36	
902707		286,5	186,5	251,5	65	24	36	
902708	M36	176,5	96,5	141,5	45	30	42	80.000
902709		226,5	126,5	191,5	65	30	42	
902710		286,5	186,5	251,5	65	30	42	

The S400B-HEAVY-SPLIT series, with full machined baseplate in AISI 304 stainless steel and separate threaded spindle with complete closure cover is the best choice for industrial environments where a high level of hygiene is required, like food, chemical and pharmaceutical industries.

The stainless steel baseplate and its particular shape guarantee high load resistance and an excellent cleanability, especially in critical conditions and the stainless steel cover avoids exposure of the thread part to external agents.

Maximum compressive strength (static load) as in the table, maximum tensile strength (static load) non available because the baseplate and the spindle are separate.

S400B HEAVY-SPLIT

HYGIENIC STAINLESS STEEL
LEVELER

Main features:

- Full machined baseplate in AISI 304 stainless steel
- Spindle and cover in AISI 304 stainless steel
- Separate spindle and baseplate



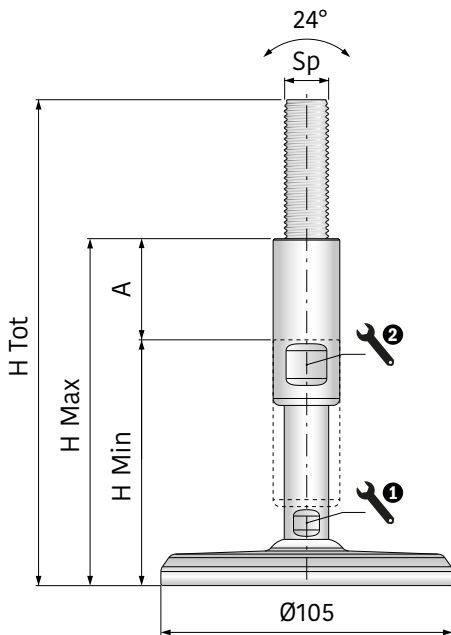
DIAMETER

105
mm

HIGH LOAD



SPLIT VERSION



Art-Nr.	Sp	H Tot (mm)	H Min (mm)	H Max (mm)	A (mm)	1 (mm)	2 (mm)	Load (N)
902711	M12	176,5	96,5	141,5	45	10	17	12.000
902712		226,5	126,5	191,5	65	10	17	
902713	M16	176,5	96,5	141,5	45	13	19	30.000
902714		226,5	126,5	191,5	65	13	19	
902715	M20	176,5	96,5	141,5	45	17	24	45.000
902716		226,5	126,5	191,5	65	17	24	
902717	M24	176,5	96,5	141,5	45	19	30	70.000
902718		226,5	126,5	191,5	65	19	30	
902719	M30	176,5	96,5	141,5	45	24	36	100.000
902720		226,5	126,5	191,5	65	24	36	
902721		286,5	186,5	251,5	65	24	36	
902722	M36	176,5	96,5	141,5	45	30	42	120.000
902723		226,5	126,5	191,5	65	30	42	
902724		286,5	186,5	251,5	65	30	42	

The S400B-HEAVY-SPLIT series, with full machined baseplate in AISI 304 stainless steel and separate threaded spindle with complete closure cover is the best choice for industrial environments where a high level of hygiene is required, like food, chemical and pharmaceutical industries.

The stainless steel baseplate and its particular shape guarantee high load resistance and an excellent cleanability, especially in critical conditions and the stainless steel cover avoids exposure of the thread part to external agents.

Maximum compressive strength (static load) as in the table, maximum tensile strength (static load) non available because the baseplate and the spindle are separate.

DIAMETER

125
mm

HIGH LOAD



SPLIT VERSION

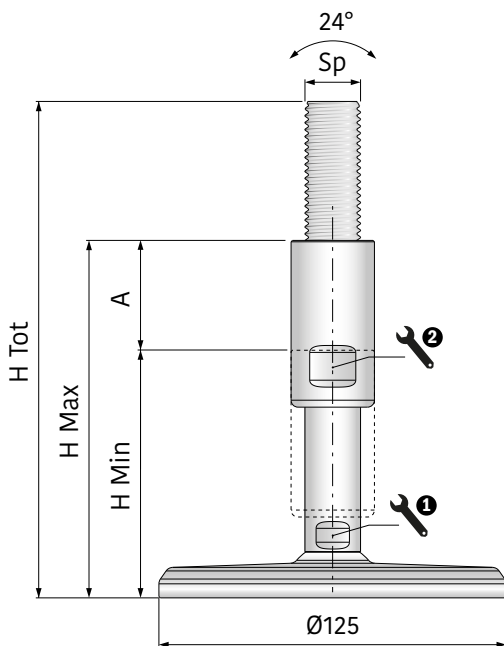


S400B HEAVY-SPLIT

HYGIENIC STAINLESS STEEL
LEVELER

Main features:

- Full machined baseplate in AISI 304 stainless steel
- Spindle and cover in AISI 304 stainless steel
- Separate spindle and baseplate



Art-Nr.	Sp	H Tot (mm)	H Min (mm)	H Max (mm)	A (mm)	1 (mm)	2 (mm)	Load (N)
902725	M12	176,5	96,5	141,5	45	10	17	12.000
902726		226,5	126,5	191,5	65	10	17	
902727	M16	176,5	96,5	141,5	45	13	19	30.000
902728		226,5	126,5	191,5	65	13	19	
902729	M20	176,5	96,5	141,5	45	17	24	45.000
902730		226,5	126,5	191,5	65	17	24	
902731	M24	176,5	96,5	141,5	45	19	30	70.000
902732		226,5	126,5	191,5	65	19	30	
902733	M30	176,5	96,5	141,5	45	24	36	100.000
902734		226,5	126,5	191,5	65	24	36	
902735		286,5	186,5	251,5	65	24	36	
902736	M36	176,5	96,5	141,5	45	30	42	130.000
902737		226,5	126,5	191,5	65	30	42	
902738		286,5	186,5	251,5	65	30	42	

The S400B-HEAVY-SPLIT series, with full machined baseplate in AISI 304 stainless steel and separate threaded spindle with complete closure cover is the best choice for industrial environments where a high level of hygiene is required, like food, chemical and pharmaceutical industries.

The stainless steel baseplate and its particular shape guarantee high load resistance and an excellent cleanability, especially in critical conditions and the stainless steel cover avoids exposure of the thread part to external agents.

Maximum compressive strength (static load) as in the table, maximum tensile strength (static load) non available because the baseplate and the spindle are separate.

S400B HEAVY-SPLIT

HYGIENIC STAINLESS STEEL
LEVELER

Main features:

- Full machined baseplate in AISI 304 stainless steel
- Spindle and cover in AISI 304 stainless steel
- Separate spindle and baseplate



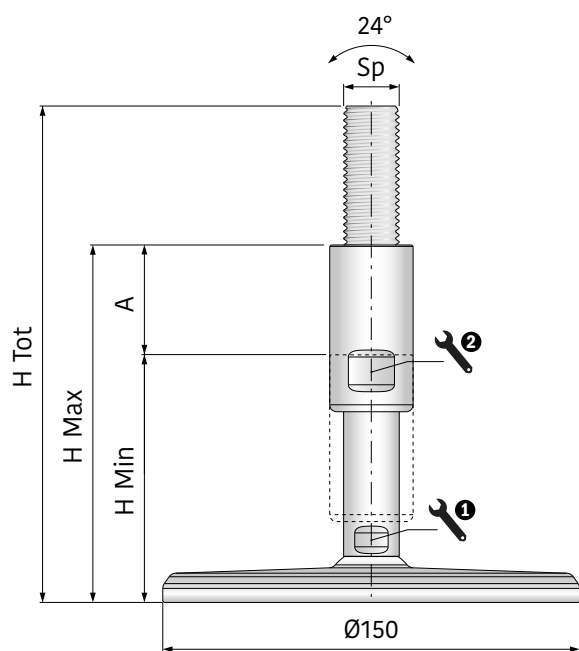
DIAMETER

150
mm

HIGH LOAD

Kg

SPLIT VERSION



Art-Nr.	Sp	H Tot (mm)	H Min (mm)	H Max (mm)	A (mm)	1 (mm)	2 (mm)	Load (N)
902739	M12	176,5	96,5	141,5	45	10	17	12.000
902740		226,5	126,5	191,5	65	10	17	
902741	M16	176,5	96,5	141,5	45	13	19	30.000
902742		226,5	126,5	191,5	65	13	19	
902743	M20	176,5	96,5	141,5	45	17	24	45.000
902744		226,5	126,5	191,5	65	17	24	
902745	M24	176,5	96,5	141,5	45	19	30	70.000
902746		226,5	126,5	191,5	65	19	30	
902747	M30	176,5	96,5	141,5	45	24	36	100.000
902748		226,5	126,5	191,5	65	24	36	
902749		286,5	186,5	251,5	65	24	36	
902750	M36	176,5	96,5	141,5	45	30	42	150.000
902751		226,5	126,5	191,5	65	30	42	
902752		286,5	186,5	251,5	65	30	42	

The S400B-HEAVY-SPLIT series, with full machined baseplate in AISI 304 stainless steel and separate threaded spindle with complete closure cover is the best choice for industrial environments where a high level of hygiene is required, like food, chemical and pharmaceutical industries.

The stainless steel baseplate and its particular shape guarantee high load resistance and an excellent cleanability, especially in critical conditions and the stainless steel cover avoids exposure of the thread part to external agents.

Maximum compressive strength (static load) as in the table, maximum tensile strength (static load) non available because the baseplate and the spindle are separate.

DIAMETER

60
mm

HIGH LOAD

Kg

SPLIT VERSION

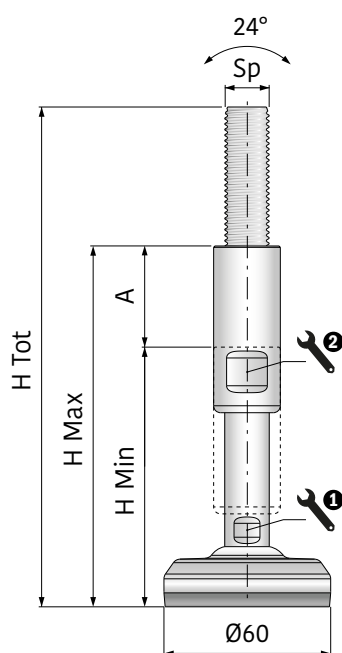
ANTI-SLIP

S400B HEAVY-SPLIT

HYGIENIC STAINLESS STEEL
LEVELER

Main features:

- Full machined baseplate in AISI 304 stainless steel
- Spindle and cover in AISI 304 stainless steel
- Separate spindle and baseplate
- Vulcanized anti-slip NBR rubber



Art-Nr.	Sp	H Tot (mm)	H Min (mm)	H Max (mm)	A (mm)	1 (mm)	2 (mm)	Load (N)
902753	M12	181,5	101,5	146,5	45	10	17	12.000
902754		231,5	131,5	196,5	65	10	17	
902755	M16	181,5	101,5	146,5	45	13	19	30.000
902756		231,5	131,5	196,5	65	13	19	
902757	M20	181,5	101,5	146,5	45	17	24	45.000
902758		231,5	131,5	196,5	65	17	24	
902759	M24	181,5	101,5	146,5	45	19	30	60.000
902760		231,5	131,5	196,5	65	19	30	
902761	M30	181,5	101,5	146,5	45	24	36	60.000
902762		231,5	131,5	196,5	65	24	36	
902763		291,5	191,5	256,5	65	24	36	
902764	M36	181,5	101,5	146,5	45	30	42	60.000
902765		231,5	131,5	196,5	65	30	42	
902766		291,5	191,5	256,5	65	30	42	

The S400B-HEAVY-SPLIT series, with full machined baseplate in AISI 304 stainless steel and separate threaded spindle with complete closure cover is the best choice for industrial environments where a high level of hygiene is required, like food, chemical and pharmaceutical industries.

The stainless steel baseplate and its particular shape guarantee high load resistance and an excellent cleanability, especially in critical conditions; the stainless steel cover avoids exposure of the thread part to external agents and the NBR rubber guarantees anti-slip properties and hermetic closure between the leveler and the floor.

Maximum compressive strength (static load) as in the table, maximum tensile strength (static load) non available because the baseplate and the spindle are separate.

S400B HEAVY-SPLIT

HYGIENIC STAINLESS STEEL
LEVELER

Main features:

- Full machined baseplate in AISI 304 stainless steel
- Spindle and cover in AISI 304 stainless steel
- Separate spindle and baseplate
- Vulcanized anti-slip NBR rubber



DIAMETER

80
mm

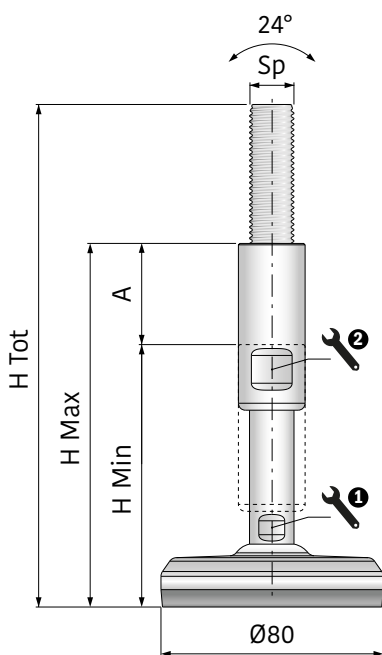
HIGH LOAD

Kg

SPLIT VERSION



ANTI-SLIP



Art-Nr.	Sp	H Tot (mm)	H Min (mm)	H Max (mm)	A (mm)	1 (mm)	2 (mm)	Load (N)
902767	M12	182,5	102,5	147,5	45	10	17	12.000
902768		232,5	132,5	197,5	65	10	17	
902769	M16	182,5	102,5	147,5	45	13	19	30.000
902770		232,5	132,5	197,5	65	13	19	
902771	M20	182,5	102,5	147,5	45	17	24	45.000
902772		232,5	132,5	197,5	65	17	24	
902773	M24	182,5	102,5	147,5	45	19	30	70.000
902774		232,5	132,5	197,5	65	19	30	
902775	M30	182,5	102,5	147,5	45	24	36	80.000
902776		232,5	132,5	197,5	65	24	36	
902777		292,5	192,5	257,5	65	24	36	
902778	M36	182,5	102,5	147,5	45	30	42	80.000
902779		232,5	132,5	197,5	65	30	42	
902780		292,5	192,5	257,5	65	30	42	

The S400B-HEAVY-SPLIT series, with full machined baseplate in AISI 304 stainless steel and separate threaded spindle with complete closure cover is the best choice for industrial environments where a high level of hygiene is required, like food, chemical and pharmaceutical industries.

The stainless steel baseplate and its particular shape guarantee high load resistance and an excellent cleanability, especially in critical conditions; the stainless steel cover avoids exposure of the thread part to external agents and the NBR rubber guarantees anti-slip properties and hermetic closure between the leveler and the floor.

Maximum compressive strength (static load) as in the table, maximum tensile strength (static load) non available because the baseplate and the spindle are separate.

DIAMETER

105
mm

HIGH LOAD



SPLIT VERSION



ANTI-SLIP

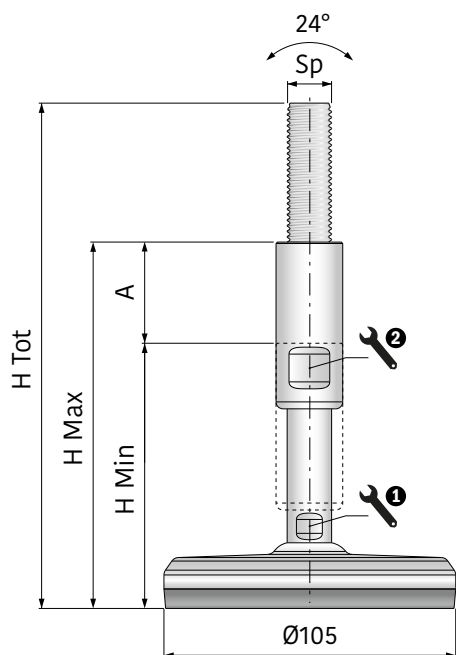


S400B HEAVY-SPLIT

HYGIENIC STAINLESS STEEL
LEVELER

Main features:

- Full machined baseplate in AISI 304 stainless steel
- Spindle and cover in AISI 304 stainless steel
- Separate spindle and baseplate
- Vulcanized anti-slip NBR rubber



Art-Nr.	Sp	H Tot (mm)	H Min (mm)	H Max (mm)	A (mm)	1 (mm)	2 (mm)	Load (N)
902781	M12	183,5	103,5	148,5	45	10	17	12.000
902782		233,5	133,5	198,5	65	10	17	
902783	M16	183,5	103,5	148,5	45	13	19	30.000
902784		233,5	133,5	198,5	65	13	19	
902785	M20	183,5	103,5	148,5	45	17	24	45.000
902786		233,5	133,5	198,5	65	17	24	
902787	M24	183,5	103,5	148,5	45	19	30	70.000
902788		233,5	133,5	198,5	65	19	30	
902789	M30	183,5	103,5	148,5	45	24	36	100.000
902790		233,5	133,5	198,5	65	24	36	
902791		293,5	193,5	258,5	65	24	36	
902792	M36	183,5	103,5	148,5	45	30	42	120.000
902793		233,5	133,5	198,5	65	30	42	
902794		293,5	193,5	258,5	65	30	42	

The S400B-HEAVY-SPLIT series, with full machined baseplate in AISI 304 stainless steel and separate threaded spindle with complete closure cover is the best choice for industrial environments where a high level of hygiene is required, like food, chemical and pharmaceutical industries.

The stainless steel baseplate and its particular shape guarantee high load resistance and an excellent cleanability, especially in critical conditions; the stainless steel cover avoids exposure of the thread part to external agents and the NBR rubber guarantees anti-slip properties and hermetic closure between the leveler and the floor.

Maximum compressive strength (static load) as in the table, maximum tensile strength (static load) non available because the baseplate and the spindle are separate.

S400B HEAVY-SPLIT

HYGIENIC STAINLESS STEEL
LEVELER

Main features:

- Full machined baseplate in AISI 304 stainless steel
- Spindle and cover in AISI 304 stainless steel
- Separate spindle and baseplate
- Vulcanized anti-slip NBR rubber



DIAMETER

125
mm

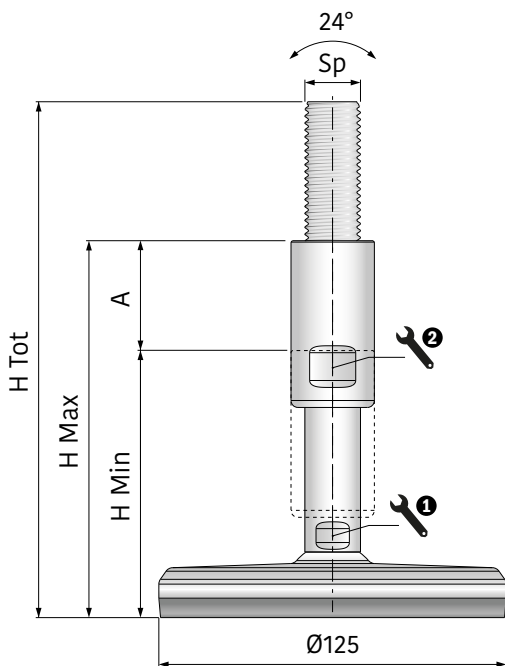
HIGH LOAD



SPLIT VERSION



ANTI-SLIP



Art-Nr.	Sp	H Tot (mm)	H Min (mm)	H Max (mm)	A (mm)	1 (mm)	2 (mm)	Load (N)
902795	M12	183,5	103,5	148,5	45	10	17	12.000
902796		233,5	133,5	198,5	65	10	17	
902797	M16	183,5	103,5	148,5	45	13	19	30.000
902798		233,5	133,5	198,5	65	13	19	
902799	M20	233,5	103,5	148,5	45	17	24	45.000
902800		234,5	133,5	198,5	65	17	24	
902801	M24	183,5	103,5	148,5	45	19	30	70.000
902802		233,5	133,5	198,5	65	19	30	
902803	M30	183,5	103,5	148,5	45	24	36	100.000
902804		233,5	133,5	198,5	65	24	36	
902805		293,5	193,5	258,5	65	24	36	
902806	M36	183,5	103,5	148,5	45	30	42	130.000
902807		233,5	133,5	198,5	65	30	42	
902808		293,5	193,5	258,5	65	30	42	

The S400B-HEAVY-SPLIT series, with full machined baseplate in AISI 304 stainless steel and separate threaded spindle with complete closure cover is the best choice for industrial environments where a high level of hygiene is required, like food, chemical and pharmaceutical industries.

The stainless steel baseplate and its particular shape guarantee high load resistance and an excellent cleanability, especially in critical conditions; the stainless steel cover avoids exposure of the thread part to external agents and the NBR rubber guarantees anti-slip properties and hermetic closure between the leveler and the floor.

Maximum compressive strength (static load) as in the table, maximum tensile strength (static load) non available because the baseplate and the spindle are separate.

DIAMETER

150
mm

HIGH LOAD



SPLIT VERSION



ANTI-SLIP

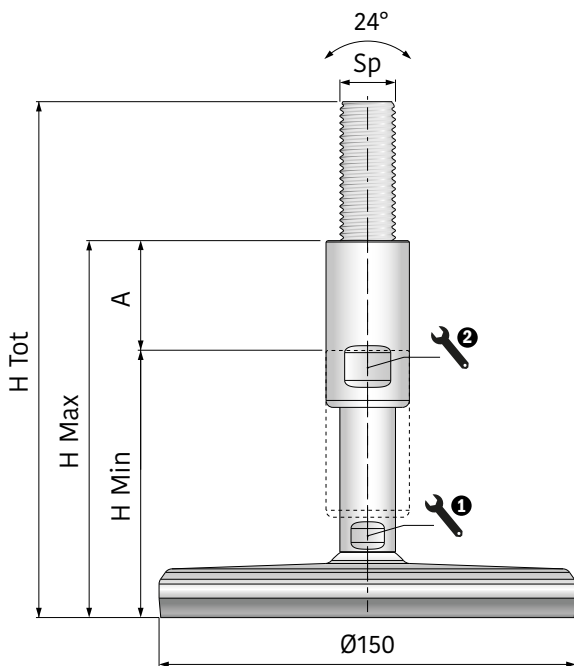


S400B HEAVY-SPLIT

HYGIENIC STAINLESS STEEL
LEVELER

Main features:

- Full machined baseplate in AISI 304 stainless steel
- Spindle and cover in AISI 304 stainless steel
- Separate spindle and baseplate
- Vulcanized anti-slip NBR rubber



Art-Nr.	Sp	H Tot (mm)	H Min (mm)	H Max (mm)	A (mm)	1 (mm)	2 (mm)	Load (N)
902809	M12	183,5	103,5	148,5	45	10	17	12.000
902810		233,5	133,5	198,5	65	10	17	
902811	M16	183,5	103,5	148,5	45	13	19	30.000
902812		233,5	133,5	198,5	65	13	19	
902813	M20	183,5	103,5	148,5	45	17	24	45.000
902814		233,5	133,5	198,5	65	17	24	
902815	M24	183,5	103,5	148,5	45	19	30	70.000
902816		233,5	133,5	198,5	65	19	30	
902817	M30	183,5	103,5	148,5	45	24	36	100.000
902818		233,5	133,5	198,5	65	24	36	
902819		293,5	193,5	258,5	65	24	36	
902820	M36	183,5	103,5	148,5	45	30	42	150.000
902821		233,5	133,5	198,5	65	30	42	
902822		293,5	193,5	258,5	65	30	42	

The S400B-HEAVY-SPLIT series, with full machined baseplate in AISI 304 stainless steel and separate threaded spindle with complete closure cover is the best choice for industrial environments where a high level of hygiene is required, like food, chemical and pharmaceutical industries.

The stainless steel baseplate and its particular shape guarantee high load resistance and an excellent cleanability, especially in critical conditions; the stainless steel cover avoids exposure of the thread part to external agents and the NBR rubber guarantees anti-slip properties and hermetic closure between the leveler and the floor.

Maximum compressive strength (static load) as in the table, maximum tensile strength (static load) non available because the baseplate and the spindle are separate.

C500

SPLIT VERSION

EHEDG

FIXING

3A

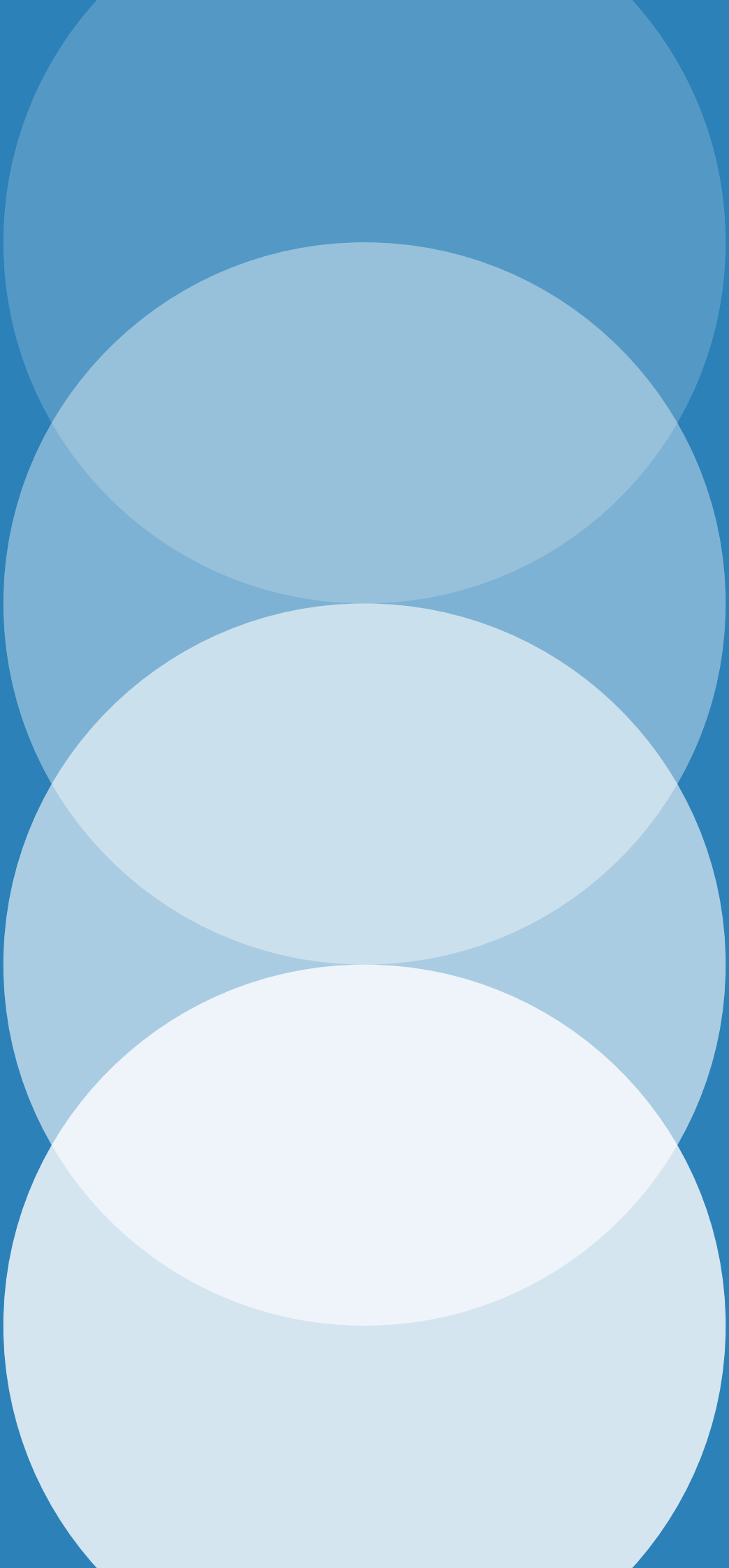
HIGH
LOAD

ANTI-SLIP



Movex

HYGIENIC AND CERTIFIED STAINLESS STEEL LEVELERS

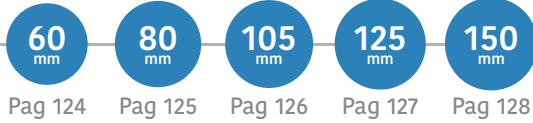


HYGIENIC AND CERTIFIED STAINLESS STEEL LEVELERS

C500 Series

HYGIENIC AND CERTIFIED
STAINLESS STEEL LEVELERS

ANTI-SLIP



ANTI-SLIP



FIXING

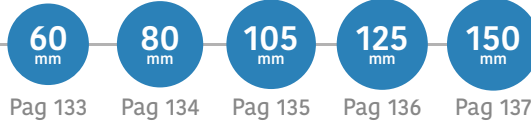


C500 SPLIT

ANTI-SLIP



SPLIT VERSION

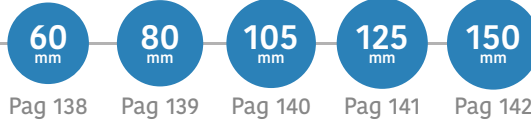


C500 HEAVY

HIGH LOAD



ANTI-SLIP



HIGH LOAD



FIXING



ANTI-SLIP



C500 HEAVY-SPLIT

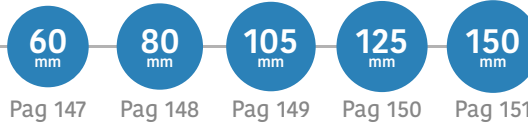
HIGH LOAD



SPLIT VERSION



ANTI-SLIP



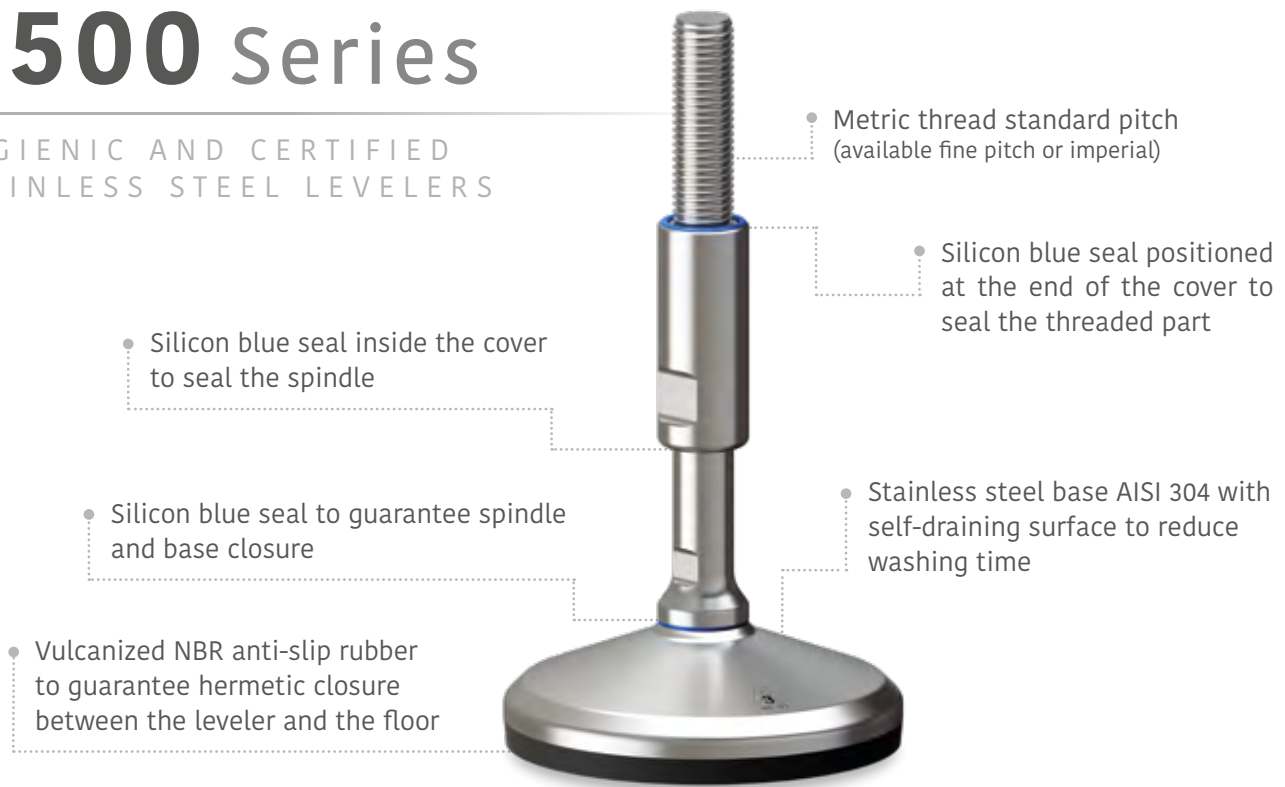
C500 EXTRA INFO

INTRODUCTION	Pag 122/123
DECLARATION OF CONFORMITY	Pag 152
INSTALLATION INSTRUCTIONS	Pag 153
FIXING INSTRUCTIONS	Pag 154
MAINTENANCE AND CLEANING	Pag 155



C500 Series

HYGIENIC AND CERTIFIED
STAINLESS STEEL LEVELERS



The **C500 series** is the best choice for industrial environments with critical hygienic level, like dairy, food, chemical and pharmaceutical industries, subjected to daily washing cycles.

It offers a complete protection against bacterial proliferation and guarantees reduced washing cycle time as well as self-draining surfaces able to drain external elements easier than traditional systems.

The new **C500 series** with hygienic stainless steel follows actual regulations and is approved by 3A and EHEDG normative.

Base, spindle and cover are produced exclusively in AISI 304, with surface finishing lower than 0,8 µm, silicon blue seals are FDA approved and easily detectable by industrial scanner.



HYGIENIC DESIGN

Completely sanitized and certified



SAVING (Energy, water, detergents)
Fewer resources for sanitation



SUPERIOR DURABILITY

Thanks to the threaded part's cover



CLEANLINESS

Reduced washing cycle

AVAILABLE RANGE

The **C500 series** is available as following version:

C500 Series

For standard applications, hygienic and certified.

C500 Series SPLIT

For application with higher floor slope or where separate base and spindle is required.

C500 Series HEAVY

For high load applications.

C500 Series HEAVY-SPLIT

For high load applications where the separate base and spindle is required.

Every above version offers excellent hygienic performances.

CERTIFICATIONS

The **C500 series** has 3A and EHEDG certifications, provided based on the selected type.

These certifications are released by no profit associations that protect consumers, guaranteeing products made according to the internal standards.

This applies to all processes and components in contact directly or indirectly with every single food. Movex is committed to offer a high quality product in according to the most recent normative.



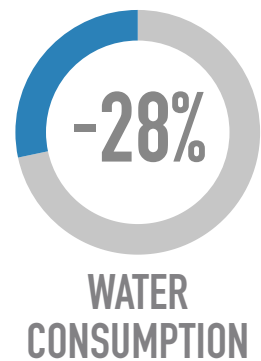
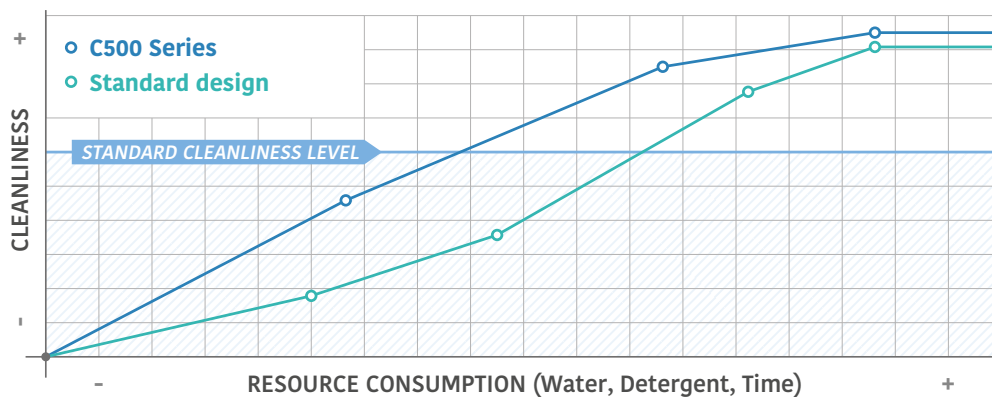
- Non-profit European consortium
- Regulations for food manufacturers, machine food manufactures and food raw material suppliers
- Research institutes and universities
 - Government health agencies
 - Approximately 45 guidelines



- Non-profit American association
- Regulations for food manufacturers, machine food manufactures and food raw material suppliers
 - Public and governmental health agencies
 - Over 70 guidelines

WHY CHOOSE A CERTIFIED PRODUCT?

Calculated saving



The stainless steel self-draining surfaces help the entire washing process, reducing time and resources consumption.

UV ray analysis

The real difference between a conventional leveler and the hygienic and certified **C500 series** is invisible at human eye.

If we analyze two levelers that have been subjected to the same washing process, they will both look clean and sanitized; but analyzed with UV ray, we will see that the conventional solution is still contaminated by bacteria (see picture).



DIAMETER

60
mm

ANTI-SLIP



C500

HYGIENIC AND CERTIFIED
STAINLESS STEEL LEVELER

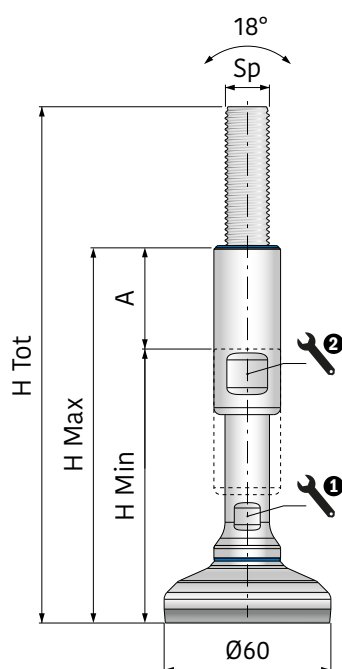
Main features:

- Overmolded self-draining baseplate in AISI 304 stainless steel
- Spindle and cover in AISI 304 stainless steel
- Blue seals for hermetic closure
- Vulcanized anti-slip NBR rubber

CERTIFIED PRODUCT



ASK FOR CERTIFICATION:
certificate@movexii.com



Art-Nr.	Sp	H Tot (mm)	H Min (mm)	H Max (mm)	A (mm)	1 (mm)	2 (mm)	Load (N)
902823	M12	185	105	150	45	10	17	4.500
902824		235	135	200	65	10	17	
902825	M16	185	105	150	45	13	19	4.500
902826		235	135	200	65	13	19	
902827	M20	185	105	150	45	17	24	4.500
902828		235	135	200	65	17	24	
902829	M24	185	105	150	45	19	30	4.500
902830		235	135	200	65	19	30	
902831	M30	185	105	150	45	24	36	4.500
902832		235	135	200	65	24	36	
902833		295	195	260	65	24	36	
902834	M36	185	105	150	45	30	42	4.500
902835		235	135	200	65	30	42	
902836		295	195	260	65	30	42	

The C500 series, with overmolded baseplate in AISI 304 stainless steel, threaded spindle with cover and hermetic seals is the best choice for industrial environments with critical hygienic level, like dairy, food, chemical and pharmaceutical industries, subjected to daily washing cycles.

The stainless steel baseplate and its particular shape guarantee an excellent cleanability, especially in critical conditions; the stainless steel cover offers 100% thread protection and avoids its exposure to external agents; the three seals (blue silicone detectable with food scanner) placed respectively inside the cover and between the spindle and the baseplate guarantee a hermetic closure, avoiding any external parts infiltration and the NBR rubber guarantees anti-slip proprieties and hermetic closure between the leveler and the floor.

Maximum compressive strength (static load) as in the table, maximum tensile strength (static load) 4.000 N

C500

HYGIENIC AND CERTIFIED
STAINLESS STEEL LEVELER

Main features:

- Overmolded self-draining baseplate in AISI 304 stainless steel
- Spindle and cover in AISI 304 stainless steel
- Blue seals for hermetic closure
- Vulcanized anti-slip NBR rubber

CERTIFIED PRODUCT



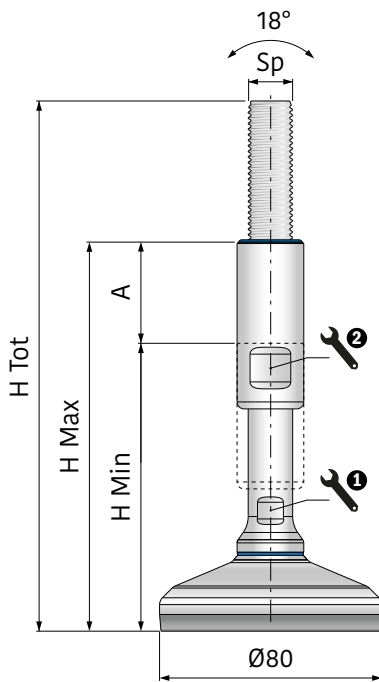
ASK FOR CERTIFICATION:
certificate@movexii.com



DIAMETER

80
mm

ANTI-SLIP



Art-Nr.	Sp	H Tot (mm)	H Min (mm)	H Max (mm)	A (mm)	1 (mm)	2 (mm)	Load (N)
902837	M12	190	110	155	45	10	17	12.000
902838		240	140	205	65	10	17	
902839	M16	190	110	155	45	13	19	15.000
902840		240	140	205	65	13	19	
902841	M20	190	110	155	45	17	24	15.000
902842		240	140	205	65	17	24	
902843	M24	190	110	155	45	19	30	15.000
902844		240	140	205	65	19	30	
902845	M30	190	110	155	45	24	36	15.000
902846		240	140	205	65	24	36	
902847		300	200	265	65	24	36	
902848	M36	190	110	155	45	30	42	15.000
902849		240	140	205	65	30	42	
902850		300	200	265	65	30	42	

The C500 series, with overmolded baseplate in AISI 304 stainless steel, threaded spindle with cover and hermetic seals is the best choice for industrial environments with critical hygienic level, like dairy, food, chemical and pharmaceutical industries, subjected to daily washing cycles.

The stainless steel baseplate and its particular shape guarantee an excellent cleanability, especially in critical conditions; the stainless steel cover offers 100% thread protection and avoids its exposure to external agents; the three seals (blue silicone detectable with food scanner) placed respectively inside the cover and between the spindle and the baseplate guarantee a hermetic closure, avoiding any external parts infiltration and the NBR rubber guarantees anti-slip proprieties and hermetic closure between the leveler and the floor.

Maximum compressive strength (static load) as in the table, maximum tensile strength (static load) 4.000 N

DIAMETER

105
mm

ANTI-SLIP



C500

HYGIENIC AND CERTIFIED
STAINLESS STEEL LEVELER

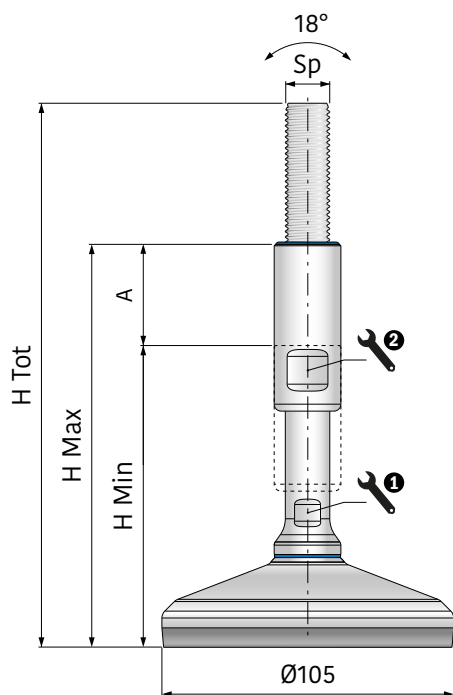
Main features:

- Overmolded self-draining baseplate in AISI 304 stainless steel
- Spindle and cover in AISI 304 stainless steel
- Blue seals for hermetic closure
- Vulcanized anti-slip NBR rubber

CERTIFIED PRODUCT



ASK FOR CERTIFICATION:
certificate@movexii.com



Art-Nr.	Sp	H Tot (mm)	H Min (mm)	H Max (mm)	A (mm)	1 (mm)	2 (mm)	Load (N)
902851	M12	195	115	160	45	10	17	12.000
902852		245	145	210	65	10	17	
902853	M16	195	115	160	45	13	19	25.000
902854		245	145	210	65	13	19	
902855	M20	195	115	160	45	17	24	25.000
902856		245	145	210	65	17	24	
902857	M24	195	115	160	45	19	30	25.000
902858		245	145	210	65	19	30	
902859	M30	195	115	160	45	24	36	25.000
902860		245	145	210	65	24	36	
902861		305	205	270	65	24	36	
902862	M36	195	115	160	45	30	42	25.000
902863		245	145	210	65	30	42	
902864		305	205	270	65	30	42	

The C500 series, with overmolded baseplate in AISI 304 stainless steel, threaded spindle with cover and hermetic seals is the best choice for industrial environments with critical hygienic level, like dairy, food, chemical and pharmaceutical industries, subjected to daily washing cycles.

The stainless steel baseplate and its particular shape guarantee an excellent cleanability, especially in critical conditions; the stainless steel cover offers 100% thread protection and avoids its exposure to external agents; the three seals (blue silicone detectable with food scanner) placed respectively inside the cover and between the spindle and the baseplate guarantee a hermetic closure, avoiding any external parts infiltration and the NBR rubber guarantees anti-slip proprieties and hermetic closure between the leveler and the floor.

Maximum compressive strength (static load) as in the table, maximum tensile strength (static load) 4.000 N

C500

HYGIENIC AND CERTIFIED
STAINLESS STEEL LEVELER

Main features:

- Overmolded self-draining baseplate in AISI 304 stainless steel
- Spindle and cover in AISI 304 stainless steel
- Blue seals for hermetic closure
- Vulcanized anti-slip NBR rubber

CERTIFIED PRODUCT



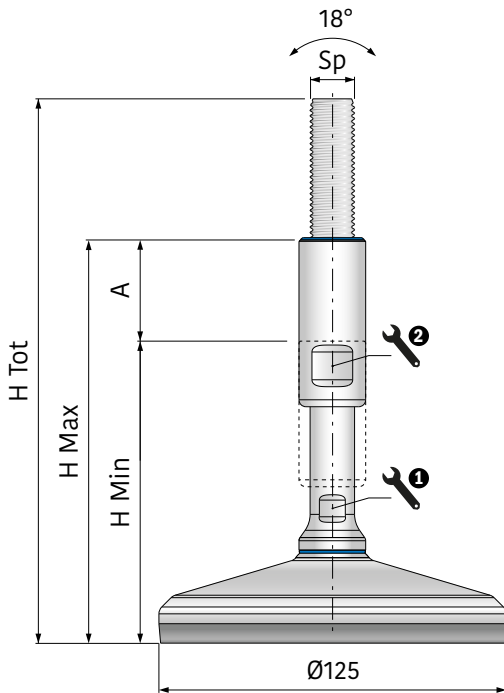
ASK FOR CERTIFICATION:
certificate@movexii.com



DIAMETER

125
mm

ANTI-SLIP



Art-Nr.	Sp	H Tot (mm)	H Min (mm)	H Max (mm)	A (mm)	1 (mm)	2 (mm)	Load (N)
902865	M12	195	115	160	45	10	17	12.000
902866		245	145	210	65	10	17	
902867	M16	195	115	160	45	13	19	30.000
902868		245	145	210	65	13	19	
902869	M20	195	115	160	45	17	24	30.000
902870		245	145	210	65	17	24	
902871	M24	195	115	160	45	19	30	30.000
902872		245	145	210	65	19	30	
902873	M30	195	115	160	45	24	36	30.000
902874		245	145	210	65	24	36	
902875		305	205	270	65	24	36	
902876	M36	195	115	160	45	30	42	30.000
902877		245	145	210	65	30	42	
902878		305	205	270	65	30	42	

The C500 series, with overmolded baseplate in AISI 304 stainless steel, threaded spindle with cover and hermetic seals is the best choice for industrial environments with critical hygienic level, like dairy, food, chemical and pharmaceutical industries, subjected to daily washing cycles.

The stainless steel baseplate and its particular shape guarantee an excellent cleanability, especially in critical conditions; the stainless steel cover offers 100% thread protection and avoids its exposure to external agents; the three seals (blue silicone detectable with food scanner) placed respectively inside the cover and between the spindle and the baseplate guarantee a hermetic closure, avoiding any external parts infiltration and the NBR rubber guarantees anti-slip proprieties and hermetic closure between the leveler and the floor.

Maximum compressive strength (static load) as in the table, maximum tensile strength (static load) 4.000 N

DIAMETER

150
mm

ANTI-SLIP



C500

HYGIENIC AND CERTIFIED
STAINLESS STEEL LEVELER

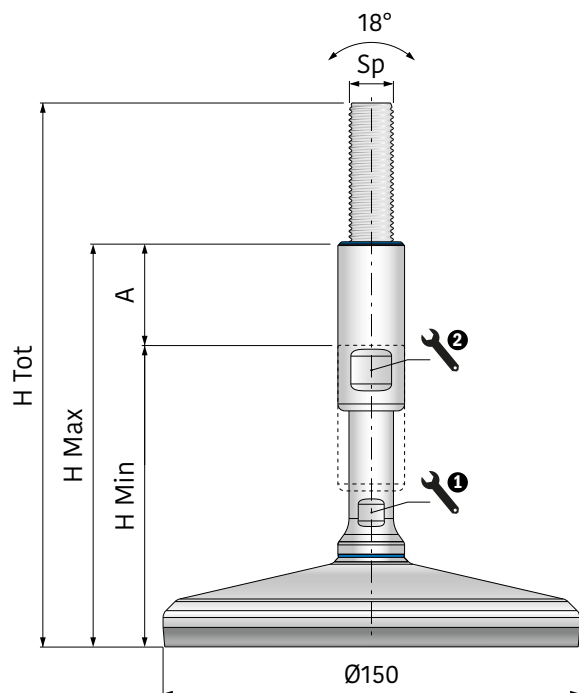
Main features:

- Overmolded self-draining baseplate in AISI 304 stainless steel
- Spindle and cover in AISI 304 stainless steel
- Blue seals for hermetic closure
- Vulcanized anti-slip NBR rubber

CERTIFIED PRODUCT



ASK FOR CERTIFICATION:
certificate@movexii.com



Art-Nr.	Sp	H Tot (mm)	H Min (mm)	H Max (mm)	A (mm)	1 (mm)	2 (mm)	Load (N)
902879	M12	195	115	160	45	10	17	12.000
902880		245	145	210	65	10	17	
902881	M16	195	115	160	45	13	19	30.000
902882		245	145	210	65	13	19	
902883	M20	195	115	160	45	17	24	45.000
902884		245	145	210	65	17	24	
902885	M24	195	115	160	45	19	30	45.000
902886		245	145	210	65	19	30	
902887	M30	195	115	160	45	24	36	45.000
902888		245	145	210	65	24	36	
902889		305	205	270	65	24	36	
902890	M36	195	115	160	45	30	42	45.000
902891		245	145	210	65	30	42	
902892		305	205	270	65	30	42	

The C500 series, with overmolded baseplate in AISI 304 stainless steel, threaded spindle with cover and hermetic seals is the best choice for industrial environments with critical hygienic level, like dairy, food, chemical and pharmaceutical industries, subjected to daily washing cycles.

The stainless steel baseplate and its particular shape guarantee an excellent cleanability, especially in critical conditions; the stainless steel cover offers 100% thread protection and avoids its exposure to external agents; the three seals (blue silicone detectable with food scanner) placed respectively inside the cover and between the spindle and the baseplate guarantee a hermetic closure, avoiding any external parts infiltration and the NBR rubber guarantees anti-slip proprieties and hermetic closure between the leveler and the floor.

Maximum compressive strength (static load) as in the table, maximum tensile strength (static load) 4.000 N

C500

HYGIENIC AND CERTIFIED
STAINLESS STEEL LEVELER

Main features:

- Overmolded self-draining baseplate in AISI 304 stainless steel
- Spindle and cover in AISI 304 stainless steel
- Blue seals for hermetic closure
- Vulcanized anti-slip NBR rubber
- Single floor fixation

CERTIFIED PRODUCT



ASK FOR CERTIFICATION:
certificate@movexii.com

Nut
Hygienic and certified

903238 M12



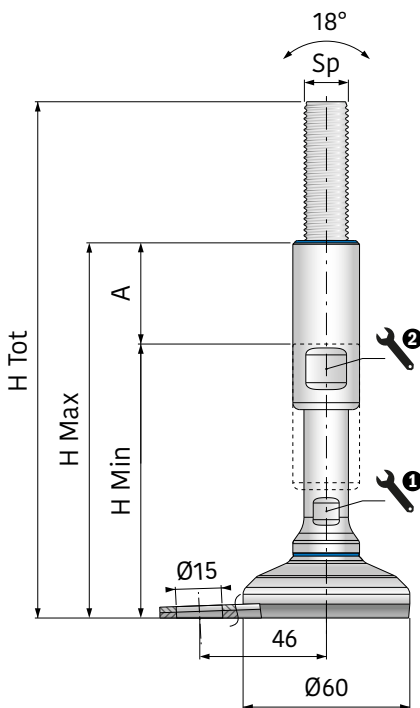
DIAMETER

60
mm

ANTI-SLIP



FIXING



Art-Nr.	Sp	H Tot (mm)	H Min (mm)	H Max (mm)	A (mm)	1 (mm)	2 (mm)	Load (N)
902893	M12	185	105	150	45	10	17	4.500
902894		235	135	200	65	10	17	
902895	M16	185	105	150	45	13	19	4.500
902896		235	135	200	65	13	19	
902897	M20	185	105	150	45	17	24	4.500
902898		235	135	200	65	17	24	
902899	M24	185	105	150	45	19	30	4.500
902900		235	135	200	65	19	30	
902901	M30	185	105	150	45	24	36	4.500
902902		235	135	200	65	24	36	
902903		295	195	260	65	24	36	
902904	M36	185	105	150	45	30	42	4.500
902905		235	135	200	65	30	42	
902906		295	195	260	65	30	42	

The C500 series, with overmolded baseplate in AISI 304 stainless steel, threaded spindle with cover and hermetic seals is the best choice for industrial environments with critical hygienic level, like dairy, food, chemical and pharmaceutical industries, subjected to daily washing cycles.

The stainless steel baseplate and its particular shape guarantee an excellent cleanability, especially in critical conditions; the stainless steel cover offers 100% thread protection and avoids its exposure to external agents; the three seals (blue silicone detectable with food scanner) placed respectively inside the cover and between the spindle and the baseplate guarantee a hermetic closure, avoiding any external parts infiltration and the NBR rubber guarantees anti-slip proprieties and hermetic closure between the leveler and the floor.

Maximum compressive strength (static load) as in the table, maximum tensile strength (static load) 4.000 N

DIAMETER

80
mm

ANTI-SLIP



FIXING



C500

HYGIENIC AND CERTIFIED
STAINLESS STEEL LEVELER

Main features:

- Overmolded self-draining baseplate in AISI 304 stainless steel
- Spindle and cover in AISI 304 stainless steel
- Blue seals for hermetic closure
- Vulcanized anti-slip NBR rubber
- Single floor fixation

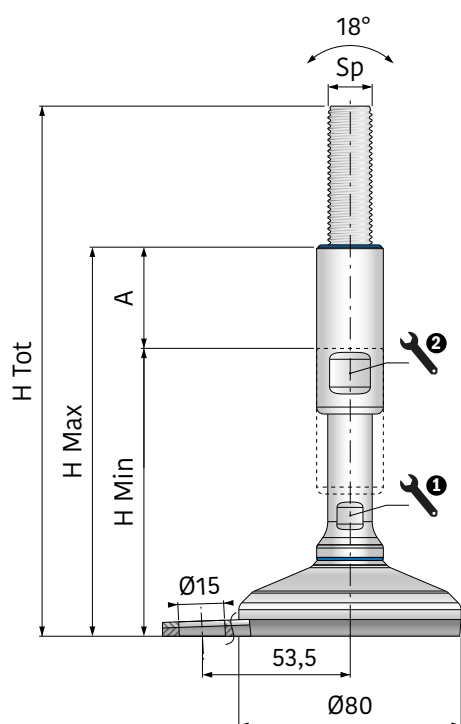
CERTIFIED PRODUCT



ASK FOR CERTIFICATION:
certificate@movexii.com

Nut
Hygienic and certified

903238 M12



Art-Nr.	Sp	H Tot (mm)	H Min (mm)	H Max (mm)	A (mm)	1 (mm)	2 (mm)	Load (N)
902907	M12	185	105	150	45	10	17	12.000
902908		235	135	200	65	10	17	
902909	M16	185	105	150	45	13	19	15.000
902910		235	135	200	65	13	19	
902911	M20	185	105	150	45	17	24	15.000
902912		235	135	200	65	17	24	
902913	M24	185	105	150	45	19	30	15.000
902914		235	135	200	65	19	30	
902915	M30	185	105	150	45	24	36	15.000
902916		235	135	200	65	24	36	
902917		295	195	260	65	24	36	
902918	M36	185	105	150	45	30	42	15.000
902919		235	135	200	65	30	42	
902920		295	195	260	65	30	42	

The C500 series, with overmolded baseplate in AISI 304 stainless steel, threaded spindle with cover and hermetic seals is the best choice for industrial environments with critical hygienic level, like dairy, food, chemical and pharmaceutical industries, subjected to daily washing cycles.

The stainless steel baseplate and its particular shape guarantee an excellent cleanability, especially in critical conditions; the stainless steel cover offers 100% thread protection and avoids its exposure to external agents; the three seals (blue silicone detectable with food scanner) placed respectively inside the cover and between the spindle and the baseplate guarantee a hermetic closure, avoiding any external parts infiltration and the NBR rubber guarantees anti-slip proprieties and hermetic closure between the leveler and the floor.

Maximum compressive strength (static load) as in the table, maximum tensile strength (static load) 4.000 N

C500

HYGIENIC AND CERTIFIED
STAINLESS STEEL LEVELER

Main features:

- Overmolded self-draining baseplate in AISI 304 stainless steel
- Spindle and cover in AISI 304 stainless steel
- Blue seals for hermetic closure
- Vulcanized anti-slip NBR rubber
- Single floor fixation

CERTIFIED PRODUCT



ASK FOR CERTIFICATION:
certificate@movexii.com

Nut
Hygienic and certified

903238 M12



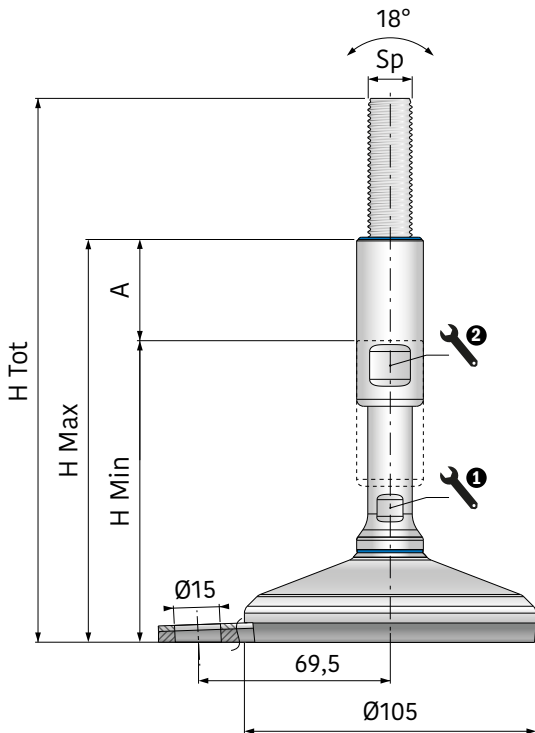
DIAMETER

105
mm

ANTI-SLIP



FIXING



Art-Nr.	Sp	H Tot (mm)	H Min (mm)	H Max (mm)	A (mm)	1 (mm)	2 (mm)	Load (N)
902921	M12	195	115	160	45	10	17	12.000
902922		245	145	210	65	10	17	
902923	M16	195	115	160	45	13	19	25.000
902924		245	145	210	65	13	19	
902925	M20	195	115	160	45	17	24	25.000
902926		245	145	210	65	17	24	
902927	M24	195	115	160	45	19	30	25.000
902928		245	145	210	65	19	30	
902929	M30	195	115	160	45	24	36	25.000
902930		245	145	210	65	24	36	
902931		305	205	270	65	24	36	
902932	M36	195	115	160	45	30	42	25.000
902933		245	145	210	65	30	42	
902934		305	205	270	65	30	42	

The C500 series, with overmolded baseplate in AISI 304 stainless steel, threaded spindle with cover and hermetic seals is the best choice for industrial environments with critical hygienic level, like dairy, food, chemical and pharmaceutical industries, subjected to daily washing cycles.

The stainless steel baseplate and its particular shape guarantee an excellent cleanability, especially in critical conditions; the stainless steel cover offers 100% thread protection and avoids its exposure to external agents; the three seals (blue silicone detectable with food scanner) placed respectively inside the cover and between the spindle and the baseplate guarantee a hermetic closure, avoiding any external parts infiltration and the NBR rubber guarantees anti-slip proprieties and hermetic closure between the leveler and the floor.

Maximum compressive strength (static load) as in the table, maximum tensile strength (static load) 4.000 N

DIAMETER

125
mm

C500

HYGIENIC AND CERTIFIED
STAINLESS STEEL LEVELER

ANTI-SLIP



FIXING



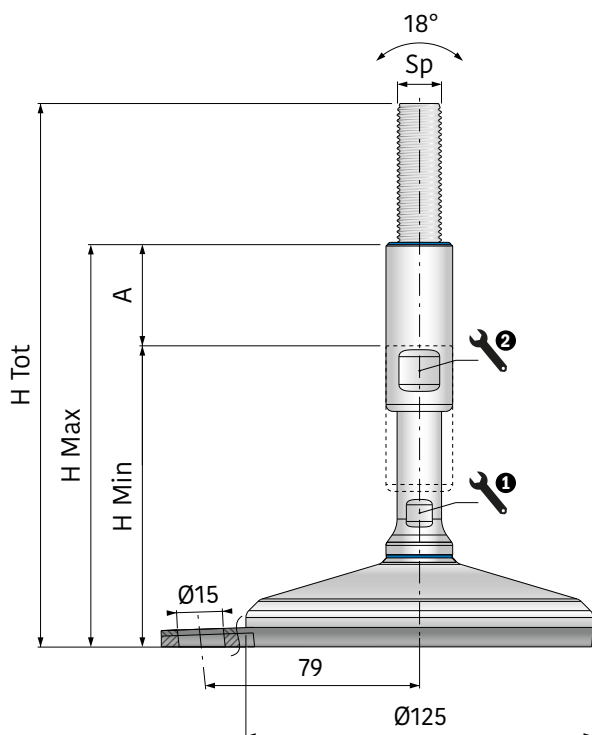
Main features:

- Overmolded self-draining baseplate in AISI 304 stainless steel
- Spindle and cover in AISI 304 stainless steel
- Blue seals for hermetic closure
- Vulcanized anti-slip NBR rubber
- Single floor fixation

CERTIFIED PRODUCT

ASK FOR CERTIFICATION:
certificate@movexii.comNut
Hygienic and certified

903238 M12



Art-Nr.	Sp	H Tot (mm)	H Min (mm)	H Max (mm)	A (mm)	1 (mm)	2 (mm)	Load (N)
902935	M12	195	115	160	45	10	17	12.000
902936		245	145	210	65	10	17	
902937	M16	195	115	160	45	13	19	30.000
902938		245	145	210	65	13	19	
902939	M20	195	115	160	45	17	24	30.000
902940		245	145	210	65	17	24	
902941	M24	195	115	160	45	19	30	30.000
902942		245	145	210	65	19	30	
902943	M30	195	115	160	45	24	36	30.000
902944		245	145	210	65	24	36	
902945		305	205	270	65	24	36	
902946	M36	195	115	160	45	30	42	30.000
902947		245	145	210	65	30	42	
902948		305	205	270	65	30	42	

The C500 series, with overmolded baseplate in AISI 304 stainless steel, threaded spindle with cover and hermetic seals is the best choice for industrial environments with critical hygienic level, like dairy, food, chemical and pharmaceutical industries, subjected to daily washing cycles.

The stainless steel baseplate and its particular shape guarantee an excellent cleanability, especially in critical conditions; the stainless steel cover offers 100% thread protection and avoids its exposure to external agents; the three seals (blue silicone detectable with food scanner) placed respectively inside the cover and between the spindle and the baseplate guarantee a hermetic closure, avoiding any external parts infiltration and the NBR rubber guarantees anti-slip proprieties and hermetic closure between the leveler and the floor.

Maximum compressive strength (static load) as in the table, maximum tensile strength (static load) 4.000 N

C500 SPLIT

HYGIENIC AND CERTIFIED
STAINLESS STEEL LEVELER

Main features:

- Overmolded self-draining baseplate in AISI 304 stainless steel
- Spindle and cover in AISI 304 stainless steel
- Blue seals for hermetic closure
- Vulcanized anti-slip NBR rubber
- Separate spindle and baseplate

CERTIFIED PRODUCT



ASK FOR CERTIFICATION:
certificate@movexii.com



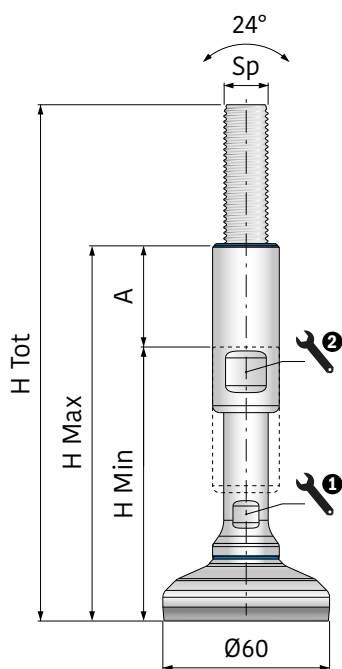
DIAMETER

60
mm

ANTI-SLIP



SPLIT VERSION



Art-Nr.	Sp	H Tot (mm)	H Min (mm)	H Max (mm)	A (mm)	1 (mm)	2 (mm)	Load (N)
902949	M12	185	105	150	45	10	17	4.500
902950		235	135	200	65	10	17	
902951	M16	185	105	150	45	13	19	4.500
902952		235	135	200	65	13	19	
902953	M20	185	105	150	45	17	24	4.500
902954		235	135	200	65	17	24	
902955	M24	185	105	150	45	19	30	4.500
902956		235	135	200	65	19	30	
902957	M30	185	105	150	45	24	36	4.500
902958		235	135	200	65	24	36	
902959		295	195	260	65	24	36	
902960	M36	185	105	150	45	30	42	4.500
902961		235	135	200	65	30	42	
902962		295	195	260	65	30	42	

The C500-SPLIT series, with overmolded baseplate in AISI 304 stainless steel, separate threaded spindle with cover and hermetic seals is the best choice for industrial environments with critical hygienic level, like dairy, food, chemical and pharmaceutical industries, subjected to daily washing cycles.

The stainless steel baseplate and its particular shape guarantee an excellent cleanability, especially in critical conditions; the stainless steel cover offers 100% thread protection and avoids its exposure to external agents; the three seals (blue silicone detectable with food scanner) placed respectively inside the cover and between the spindle and the baseplate guarantee a hermetic closure, avoiding any external parts infiltration and the NBR rubber guarantees anti-slip proprieties and hermetic closure between the leveler and the floor.

Maximum compressive strength (static load) as in the table, maximum tensile strength (static load) not available because the baseplate and the spindle are separate.

DIAMETER

80
mm

ANTI-SLIP



SPLIT VERSION



C500 SPLIT

HYGIENIC AND CERTIFIED
STAINLESS STEEL LEVELER

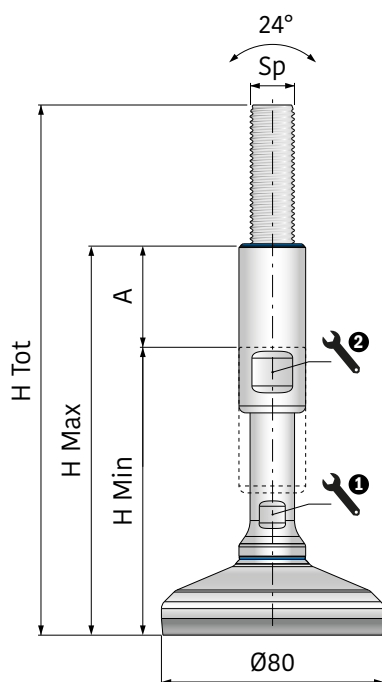
Main features:

- Overmolded self-draining baseplate in AISI 304 stainless steel
- Spindle and cover in AISI 304 stainless steel
- Blue seals for hermetic closure
- Vulcanized anti-slip NBR rubber
- Separate spindle and baseplate

CERTIFIED PRODUCT



ASK FOR CERTIFICATION:
certificate@movexii.com



Art-Nr.	Sp	H Tot (mm)	H Min (mm)	H Max (mm)	A (mm)	1 (mm)	2 (mm)	Load (N)
902963	M12	190	110	155	45	10	17	12.000
902964		240	140	205	65	10	17	
902965	M16	190	110	155	45	13	19	15.000
902966		240	140	205	65	13	19	
902967	M20	190	110	155	45	17	24	15.000
902968		240	140	205	65	17	24	
902969	M24	190	110	155	45	19	30	15.000
902970		240	140	205	65	19	30	
902971	M30	190	110	155	45	24	36	15.000
902972		240	140	205	65	24	36	
902973		300	200	265	65	24	36	
902974	M36	190	110	155	45	30	42	15.000
902975		240	140	205	65	30	42	
902976		300	200	265	65	30	42	

The C500-SPLIT series, with overmolded baseplate in AISI 304 stainless steel, separate threaded spindle with cover and hermetic seals is the best choice for industrial environments with critical hygienic level, like dairy, food, chemical and pharmaceutical industries, subjected to daily washing cycles.

The stainless steel baseplate and its particular shape guarantee an excellent cleanability, especially in critical conditions; the stainless steel cover offers 100% thread protection and avoids its exposure to external agents; the three seals (blue silicone detectable with food scanner) placed respectively inside the cover and between the spindle and the baseplate guarantee a hermetic closure, avoiding any external parts infiltration and the NBR rubber guarantees anti-slip proprieties and hermetic closure between the leveler and the floor.

Maximum compressive strength (static load) as in the table, maximum tensile strength (static load) not available because the baseplate and the spindle are separate.

C500 SPLIT

HYGIENIC AND CERTIFIED
STAINLESS STEEL LEVELER

Main features:

- Overmolded self-draining baseplate in AISI 304 stainless steel
- Spindle and cover in AISI 304 stainless steel
- Blue seals for hermetic closure
- Vulcanized anti-slip NBR rubber
- Separate spindle and baseplate

CERTIFIED PRODUCT



ASK FOR CERTIFICATION:
certificate@movexii.com



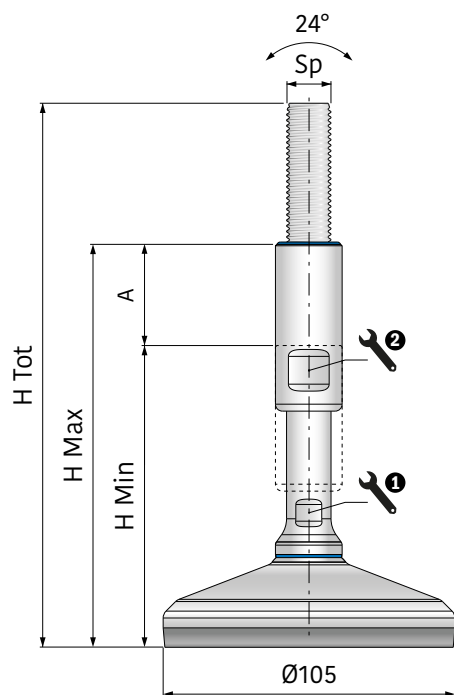
DIAMETER

105
mm

ANTI-SLIP



SPLIT VERSION



Art-Nr.	Sp	H Tot (mm)	H Min (mm)	H Max (mm)	A (mm)	1 (mm)	2 (mm)	Load (N)
902977	M12	195	115	160	45	10	17	12.000
902978		245	145	210	65	10	17	
902979	M16	195	115	160	45	13	19	25.000
902980		245	145	210	65	13	19	
902981	M20	195	115	160	45	17	24	25.000
902982		245	145	210	65	17	24	
902983	M24	195	115	160	45	19	30	25.000
902984		245	145	210	65	19	30	
902985	M30	195	115	160	45	24	36	25.000
902986		245	145	210	65	24	36	
902987		305	205	270	65	24	36	
902988	M36	195	115	160	45	30	42	25.000
902989		245	145	210	65	30	42	
902990		305	205	270	65	30	42	

The C500-SPLIT series, with overmolded baseplate in AISI 304 stainless steel, separate threaded spindle with cover and hermetic seals is the best choice for industrial environments with critical hygienic level, like dairy, food, chemical and pharmaceutical industries, subjected to daily washing cycles.

The stainless steel baseplate and its particular shape guarantee an excellent cleanability, especially in critical conditions; the stainless steel cover offers 100% thread protection and avoids its exposure to external agents; the three seals (blue silicone detectable with food scanner) placed respectively inside the cover and between the spindle and the baseplate guarantee a hermetic closure, avoiding any external parts infiltration and the NBR rubber guarantees anti-slip proprieties and hermetic closure between the leveler and the floor.

Maximum compressive strength (static load) as in the table, maximum tensile strength (static load) not available because the baseplate and the spindle are separate.

DIAMETER

125
mm

ANTI-SLIP



SPLIT VERSION



C500 SPLIT

HYGIENIC AND CERTIFIED
STAINLESS STEEL LEVELER

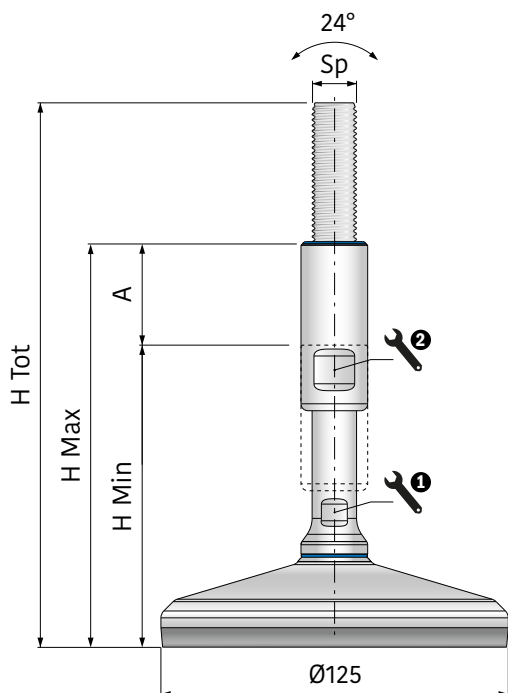
Main features:

- Overmolded self-draining baseplate in AISI 304 stainless steel
- Spindle and cover in AISI 304 stainless steel
- Blue seals for hermetic closure
- Vulcanized anti-slip NBR rubber
- Separate spindle and baseplate

CERTIFIED PRODUCT



ASK FOR CERTIFICATION:
certificate@movexii.com



Art-Nr.	Sp	H Tot (mm)	H Min (mm)	H Max (mm)	A (mm)	1 (mm)	2 (mm)	Load (N)
902991	M12	195	115	160	45	10	17	12.000
902992		245	145	210	65	10	17	
902993	M16	195	115	160	45	13	19	30.000
902994		245	145	210	65	13	19	
902995	M20	195	115	160	45	17	24	30.000
902996		245	145	210	65	17	24	
902997	M24	195	115	160	45	19	30	30.000
902998		245	145	210	65	19	30	
902999	M30	195	115	160	45	24	36	30.000
903000		245	145	210	65	24	36	
903001		305	205	270	65	24	36	
903002	M36	195	115	160	45	30	42	30.000
903003		245	145	210	65	30	42	
903004		305	205	270	65	30	42	

The C500-SPLIT series, with overmolded baseplate in AISI 304 stainless steel, separate threaded spindle with cover and hermetic seals is the best choice for industrial environments with critical hygienic level, like dairy, food, chemical and pharmaceutical industries, subjected to daily washing cycles.

The stainless steel baseplate and its particular shape guarantee an excellent cleanability, especially in critical conditions; the stainless steel cover offers 100% thread protection and avoids its exposure to external agents; the three seals (blue silicone detectable with food scanner) placed respectively inside the cover and between the spindle and the baseplate guarantee a hermetic closure, avoiding any external parts infiltration and the NBR rubber guarantees anti-slip proprieties and hermetic closure between the leveler and the floor.

Maximum compressive strength (static load) as in the table, maximum tensile strength (static load) not available because the baseplate and the spindle are separate.

C500 SPLIT

HYGIENIC AND CERTIFIED
STAINLESS STEEL LEVELER

Main features:

- Overmolded self-draining baseplate in AISI 304 stainless steel
- Spindle and cover in AISI 304 stainless steel
- Blue seals for hermetic closure
- Vulcanized anti-slip NBR rubber
- Separate spindle and baseplate

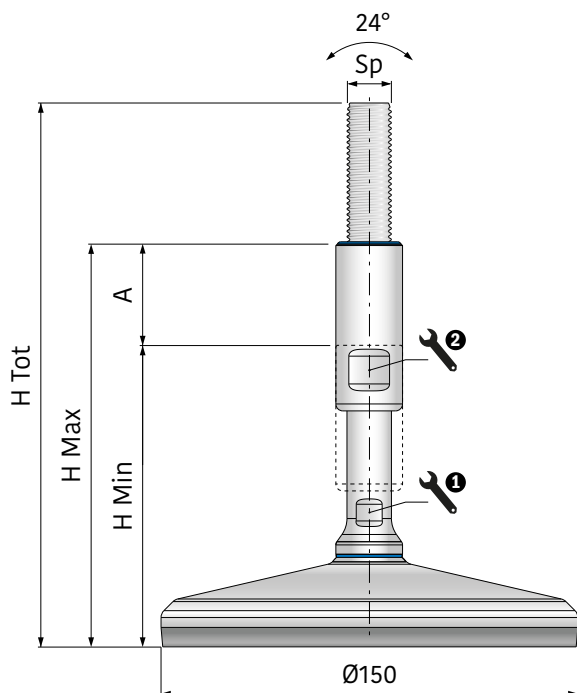


DIAMETER

150
mm

ANTI-SLIP

SPLIT VERSION



Art-Nr.	Sp	H Tot (mm)	H Min (mm)	H Max (mm)	A (mm)	1 (mm)	2 (mm)	Load (N)
903005	M12	195	115	160	45	10	17	12.000
903006		245	145	210	65	10	17	
903007	M16	195	115	160	45	13	19	30.000
903008		245	145	210	65	13	19	
903009	M20	195	115	160	45	17	24	45.000
903010		245	145	210	65	17	24	
903011	M24	195	115	160	45	19	30	45.000
903012		245	145	210	65	19	30	
903013	M30	195	115	160	45	24	36	45.000
903014		245	145	210	65	24	36	
903015		305	205	270	65	24	36	
903016	M36	195	115	160	45	30	42	45.000
903017		245	145	210	65	30	42	
903018		305	205	270	65	30	42	

The C500-SPLIT series, with overmolded baseplate in AISI 304 stainless steel, separate threaded spindle with cover and hermetic seals is the best choice for industrial environments with critical hygienic level, like dairy, food, chemical and pharmaceutical industries, subjected to daily washing cycles.

The stainless steel baseplate and its particular shape guarantee an excellent cleanability, especially in critical conditions; the stainless steel cover offers 100% thread protection and avoids its exposure to external agents; the three seals (blue silicone detectable with food scanner) placed respectively inside the cover and between the spindle and the baseplate guarantee a hermetic closure, avoiding any external parts infiltration and the NBR rubber guarantees anti-slip proprieties and hermetic closure between the leveler and the floor.

Maximum compressive strength (static load) as in the table, maximum tensile strength (static load) not available because the baseplate and the spindle are separate.

DIAMETER

60
mm

HIGH LOAD

Kg

ANTI-SLIP

C500 HEAVY

HYGIENIC AND CERTIFIED
STAINLESS STEEL LEVELER

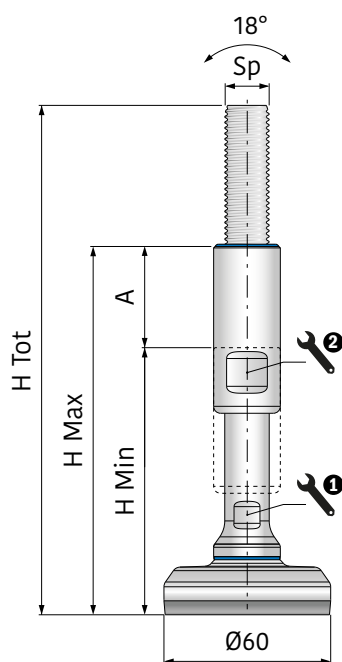
Main features:

- Full machined self-draining baseplate in AISI 304 stainless steel
- Spindle and cover in AISI 304 stainless steel
- Blue seals for hermetic closure
- Vulcanized anti-slip NBR rubber

CERTIFIED PRODUCT



ASK FOR CERTIFICATION:
certificate@movexii.com



Art-Nr.	Sp	H Tot (mm)	H Min (mm)	H Max (mm)	A (mm)	1 (mm)	2 (mm)	Load (N)
903019	M12	182,5	102,5	147,5	45	10	17	12.000
903020		232,5	132,5	197,5	65	10	17	
903021	M16	182,5	102,5	147,5	45	13	19	30.000
903022		232,5	132,5	197,5	65	13	19	
903023	M20	182,5	102,5	147,5	45	17	24	45.000
903024		232,5	132,5	197,5	65	17	24	
903025	M24	182,5	102,5	147,5	45	19	30	60.000
903026		232,5	132,5	197,5	65	19	30	
903027	M30	182,5	102,5	147,5	45	24	36	60.000
903028		232,5	132,5	197,5	65	24	36	
903029		292,5	192,5	257,5	65	24	36	
903030	M36	182,5	102,5	147,5	45	30	42	60.000
903031		232,5	132,5	197,5	65	30	42	
903032		292,5	192,5	257,5	65	30	42	

The C500-HEAVY series, with full machined baseplate in AISI 304 stainless steel, threaded spindle with cover and hermetic seals is the best choice for industrial environments with critical hygienic level, like dairy, food, chemical and pharmaceutical industries, subjected to daily washing cycles.

The stainless steel baseplate and its particular shape guarantee high load resistance and an excellent cleanability, especially in critical conditions; the stainless steel cover offers 100% thread protection and avoids its exposure to external agents; the three seals (blue silicone detectable with food scanner) placed respectively inside the cover and between the spindle and the baseplate guarantee a hermetic closure, avoiding any external parts infiltration and the NBR rubber guarantees anti-slip proprieties and hermetic closure between the leveler and the floor.

Maximum compressive strength (static load) as in the table, maximum tensile strength (static load) 8.000 N

C500 HEAVY

HYGIENIC AND CERTIFIED
STAINLESS STEEL LEVELER

Main features:

- Full machined self-draining baseplate in AISI 304 stainless steel
- Spindle and cover in AISI 304 stainless steel
- Blue seals for hermetic closure
- Vulcanized anti-slip NBR rubber

CERTIFIED PRODUCT



ASK FOR CERTIFICATION:
certificate@movexii.com



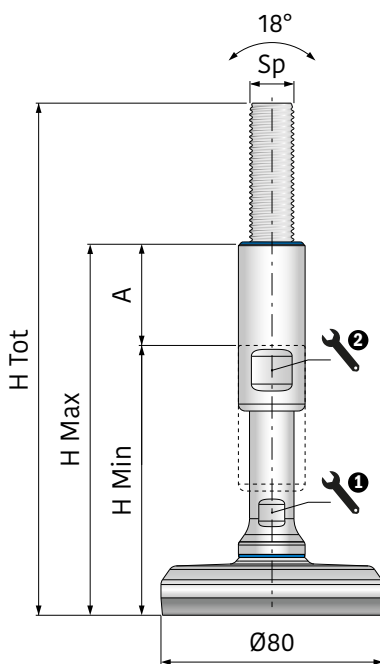
DIAMETER

80
mm

HIGH LOAD

Kg

ANTI-SLIP



Art-Nr.	Sp	H Tot (mm)	H Min (mm)	H Max (mm)	A (mm)	1 (mm)	2 (mm)	Load (N)
903033	M12	183,5	103,5	148,5	45	10	17	12.000
903034		233,5	133,5	198,5	65	10	17	
903035	M16	183,5	103,5	148,5	45	13	19	30.000
903036		233,5	133,5	198,5	65	13	19	
903037	M20	183,5	103,5	148,5	45	17	24	45.000
903038		233,5	133,5	198,5	65	17	24	
903039	M24	183,5	103,5	148,5	45	19	30	70.000
903040		233,5	133,5	198,5	65	19	30	
903041	M30	183,5	103,5	148,5	45	24	36	80.000
903042		233,5	133,5	198,5	65	24	36	
903043		293,5	193,5	258,5	65	24	36	
903044	M36	183,5	103,5	148,5	45	30	42	80.000
903045		233,5	133,5	198,5	65	30	42	
903046		293,5	193,5	258,5	65	30	42	

The C500-HEAVY series, with full machined baseplate in AISI 304 stainless steel, threaded spindle with cover and hermetic seals is the best choice for industrial environments with critical hygienic level, like dairy, food, chemical and pharmaceutical industries, subjected to daily washing cycles.

The stainless steel baseplate and its particular shape guarantee high load resistance and an excellent cleanability, especially in critical conditions; the stainless steel cover offers 100% thread protection and avoids its exposure to external agents; the three seals (blue silicone detectable with food scanner) placed respectively inside the cover and between the spindle and the baseplate guarantee a hermetic closure, avoiding any external parts infiltration and the NBR rubber guarantees anti-slip proprieties and hermetic closure between the leveler and the floor.

Maximum compressive strength (static load) as in the table, maximum tensile strength (static load) 8.000 N

DIAMETER

105
mm

HIGH LOAD



ANTI-SLIP

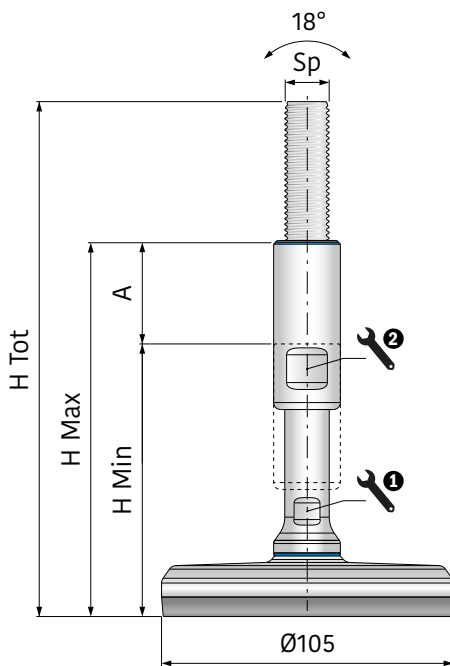


C500 HEAVY

HYGIENIC AND CERTIFIED
STAINLESS STEEL LEVELER

Main features:

- Full machined self-draining baseplate in AISI 304 stainless steel
- Spindle and cover in AISI 304 stainless steel
- Blue seals for hermetic closure
- Vulcanized anti-slip NBR rubber

CERTIFIED PRODUCTASK FOR CERTIFICATION:
certificate@movexii.com

Art-Nr.	Sp	H Tot (mm)	H Min (mm)	H Max (mm)	A (mm)	1 (mm)	2 (mm)	Load (N)
903047	M12	184,5	104,5	149,5	45	10	17	12.000
903048		234,5	134,5	199,5	65	10	17	
903049	M16	184,5	104,5	149,5	45	13	19	30.000
903050		234,5	134,5	199,5	65	13	19	
903051	M20	184,5	104,5	149,5	45	17	24	45.000
903052		234,5	134,5	199,5	65	17	24	
903053	M24	184,5	104,5	149,5	45	19	30	70.000
903054		234,5	134,5	199,5	65	19	30	
903055	M30	184,5	104,5	149,5	45	24	36	100.000
903056		234,5	134,5	199,5	65	24	36	
903057		294,5	194,5	259,5	65	24	36	
903058	M36	184,5	104,5	149,5	45	30	42	120.000
903059		234,5	134,5	199,5	65	30	42	
903060		294,5	194,5	259,5	65	30	42	

The C500-HEAVY series, with full machined baseplate in AISI 304 stainless steel, threaded spindle with cover and hermetic seals is the best choice for industrial environments with critical hygienic level, like dairy, food, chemical and pharmaceutical industries, subjected to daily washing cycles.

The stainless steel baseplate and its particular shape guarantee high load resistance and an excellent cleanability, especially in critical conditions; the stainless steel cover offers 100% thread protection and avoids its exposure to external agents; the three seals (blue silicone detectable with food scanner) placed respectively inside the cover and between the spindle and the baseplate guarantee a hermetic closure, avoiding any external parts infiltration and the NBR rubber guarantees anti-slip proprieties and hermetic closure between the leveler and the floor.

Maximum compressive strength (static load) as in the table, maximum tensile strength (static load) 8.000 N

C500 HEAVY

HYGIENIC AND CERTIFIED
STAINLESS STEEL LEVELER

Main features:

- Full machined self-draining baseplate in AISI 304 stainless steel
- Spindle and cover in AISI 304 stainless steel
- Blue seals for hermetic closure
- Vulcanized anti-slip NBR rubber

CERTIFIED PRODUCT



ASK FOR CERTIFICATION:
certificate@movexii.com



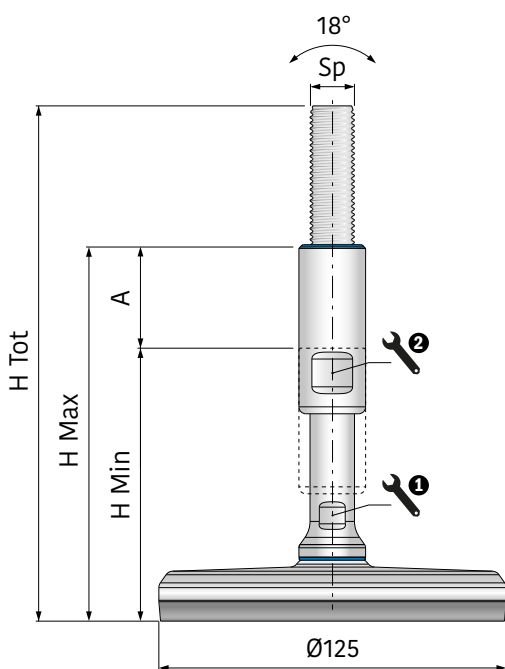
DIAMETER

125
mm

HIGH LOAD



ANTI-SLIP



Art-Nr.	Sp	H Tot (mm)	H Min (mm)	H Max (mm)	A (mm)	1 (mm)	2 (mm)	Load (N)
903061	M12	184,5	104,5	149,5	45	10	17	12.000
903062		234,5	134,5	199,5	65	10	17	
903063	M16	184,5	104,5	149,5	45	13	19	30.000
903064		234,5	134,5	199,5	65	13	19	
903065	M20	184,5	104,5	149,5	45	17	24	45.000
903066		234,5	134,5	199,5	65	17	24	
903067	M24	184,5	104,5	149,5	45	19	30	70.000
903068		234,5	134,5	199,5	65	19	30	
903069	M30	184,5	104,5	149,5	45	24	36	100.000
903070		234,5	134,5	199,5	65	24	36	
903071		294,5	194,5	259,5	65	24	36	
903072	M36	184,5	104,5	149,5	45	30	42	130.000
903073		234,5	134,5	199,5	65	30	42	
903074		294,5	194,5	259,5	65	30	42	

The C500-HEAVY series, with full machined baseplate in AISI 304 stainless steel, threaded spindle with cover and hermetic seals is the best choice for industrial environments with critical hygienic level, like dairy, food, chemical and pharmaceutical industries, subjected to daily washing cycles.

The stainless steel baseplate and its particular shape guarantee high load resistance and an excellent cleanability, especially in critical conditions; the stainless steel cover offers 100% thread protection and avoids its exposure to external agents; the three seals (blue silicone detectable with food scanner) placed respectively inside the cover and between the spindle and the baseplate guarantee a hermetic closure, avoiding any external parts infiltration and the NBR rubber guarantees anti-slip proprieties and hermetic closure between the leveler and the floor.

Maximum compressive strength (static load) as in the table, maximum tensile strength (static load) 8.000 N

DIAMETER

150
mm

HIGH LOAD



ANTI-SLIP



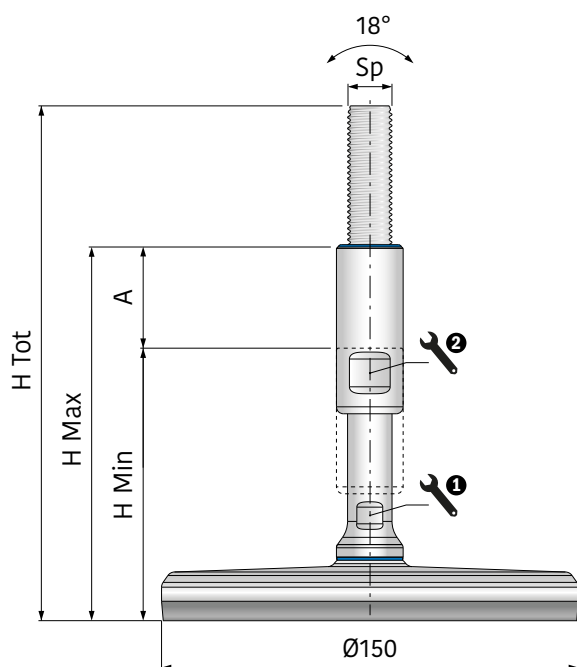
C500 HEAVY

HYGIENIC AND CERTIFIED
STAINLESS STEEL LEVELER

Main features:

- Full machined self-draining baseplate in AISI 304 stainless steel
- Spindle and cover in AISI 304 stainless steel
- Blue seals for hermetic closure
- Vulcanized anti-slip NBR rubber

CERTIFIED PRODUCT

ASK FOR CERTIFICATION:
certificate@movexii.com

Art-Nr.	Sp	H Tot (mm)	H Min (mm)	H Max (mm)	A (mm)	1 (mm)	2 (mm)	Load (N)
903075	M12	184,5	104,5	149,5	45	10	17	12.000
903076		234,5	134,5	199,5	65	10	17	
903077	M16	184,5	104,5	149,5	45	13	19	30.000
903078		234,5	134,5	199,5	65	13	19	
903079	M20	184,5	104,5	149,5	45	17	24	45.000
903080		234,5	134,5	199,5	65	17	24	
903081	M24	184,5	104,5	149,5	45	19	30	70.000
903082		234,5	134,5	199,5	65	19	30	
903083	M30	184,5	104,5	149,5	45	24	36	100.000
903084		234,5	134,5	199,5	65	24	36	
903085		294,5	194,5	259,5	65	24	36	
903086	M36	184,5	104,5	149,5	45	30	42	150.000
903087		234,5	134,5	199,5	65	30	42	
903088		294,5	194,5	259,5	65	30	42	

The C500-HEAVY series, with full machined baseplate in AISI 304 stainless steel, threaded spindle with cover and hermetic seals is the best choice for industrial environments with critical hygienic level, like dairy, food, chemical and pharmaceutical industries, subjected to daily washing cycles.

The stainless steel baseplate and its particular shape guarantee high load resistance and an excellent cleanability, especially in critical conditions; the stainless steel cover offers 100% thread protection and avoids its exposure to external agents; the three seals (blue silicone detectable with food scanner) placed respectively inside the cover and between the spindle and the baseplate guarantee a hermetic closure, avoiding any external parts infiltration and the NBR rubber guarantees anti-slip proprieties and hermetic closure between the leveler and the floor.

Maximum compressive strength (static load) as in the table, maximum tensile strength (static load) 8.000 N

C500 HEAVY

HYGIENIC AND CERTIFIED
STAINLESS STEEL LEVELER

Main features:

- Full machined self-draining baseplate in AISI 304 stainless steel
- Spindle and cover in AISI 304 stainless steel
- Blue seals for hermetic closure
- Vulcanized anti-slip NBR rubber
- Double floor fixation



Nut
Hygienic and certified
903236 M8

DIAMETER

80
mm

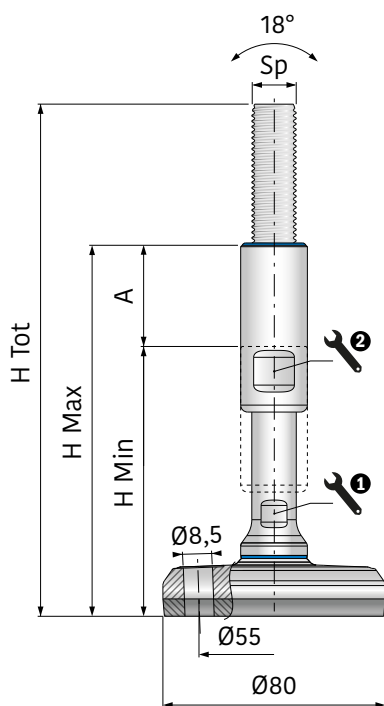
HIGH LOAD

Kg

FIXING



ANTI-SLIP



Art-Nr.	Sp	H Tot (mm)	H Min (mm)	H Max (mm)	A (mm)	1 (mm)	2 (mm)	Load (N)
903103	M12	183,5	103,5	148,5	45	10	17	12.000
903104		233,5	133,5	198,5	65	10	17	
903105	M16	183,5	103,5	148,5	45	13	19	30.000
903106		233,5	133,5	198,5	65	13	19	
903107	M20	183,5	103,5	148,5	45	17	24	45.000
903108		233,5	133,5	198,5	65	17	24	
903109	M24	183,5	103,5	148,5	45	19	30	70.000
903110		233,5	133,5	198,5	65	19	30	
903111	M30	183,5	103,5	148,5	45	24	36	80.000
903112		233,5	133,5	198,5	65	24	36	
903113		293,5	193,5	258,5	65	24	36	
903114	M36	183,5	103,5	148,5	45	30	42	80.000
903115		233,5	133,5	198,5	65	30	42	
903116		293,5	193,5	258,5	65	30	42	

The C500-HEAVY series, with full machined baseplate in AISI 304 stainless steel, threaded spindle with cover and hermetic seals is the best choice for industrial environments with critical hygienic level, like dairy, food, chemical and pharmaceutical industries, subjected to daily washing cycles.

The stainless steel baseplate and its particular shape guarantee high load resistance and an excellent cleanability, especially in critical conditions; the stainless steel cover offers 100% thread protection and avoids its exposure to external agents; the three seals (blue silicone detectable with food scanner) placed respectively inside the cover and between the spindle and the baseplate guarantee a hermetic closure, avoiding any external parts infiltration and the NBR rubber guarantees anti-slip proprieties and hermetic closure between the leveler and the floor.

Maximum compressive strength (static load) as in the table, maximum tensile strength (static load) 8.000 N

DIAMETER

105
mm

HIGH LOAD



FIXING



ANTI-SLIP



C500 HEAVY

HYGIENIC AND CERTIFIED
STAINLESS STEEL LEVELER

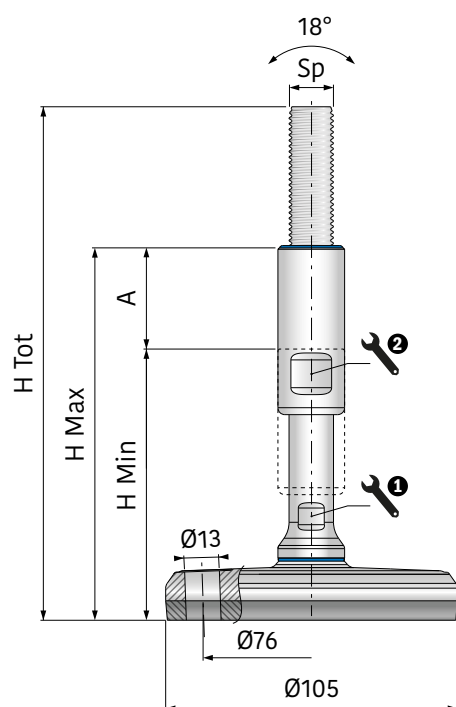
Main features:

- Full machined self-draining baseplate in AISI 304 stainless steel
- Spindle and cover in AISI 304 stainless steel
- Blue seals for hermetic closure
- Vulcanized anti-slip NBR rubber
- Double floor fixation

CERTIFIED PRODUCT

ASK FOR CERTIFICATION:
certificate@movexii.comNut
Hygienic and certified

903237 M10



Art-Nr.	Sp	H Tot (mm)	H Min (mm)	H Max (mm)	A (mm)	1 (mm)	2 (mm)	Load (N)
903117	M12	184,5	104,5	149,5	45	10	17	12.000
903118		234,5	134,5	199,5	65	10	17	
903119	M16	184,5	104,5	149,5	45	13	19	30.000
903120		234,5	134,5	199,5	65	13	19	
903121	M20	184,5	104,5	149,5	45	17	24	45.000
903122		234,5	134,5	199,5	65	17	24	
903123	M24	184,5	104,5	149,5	45	19	30	70.000
903124		234,5	134,5	199,5	65	19	30	
903125	M30	184,5	104,5	149,5	45	24	36	100.000
903126		234,5	134,5	199,5	65	24	36	
903127		294,5	194,5	259,5	65	24	36	
903128	M36	184,5	104,5	149,5	45	30	42	120.000
903129		234,5	134,5	199,5	65	30	42	
903130		294,5	194,5	259,5	65	30	42	

The C500-HEAVY series, with full machined baseplate in AISI 304 stainless steel, threaded spindle with cover and hermetic seals is the best choice for industrial environments with critical hygienic level, like dairy, food, chemical and pharmaceutical industries, subjected to daily washing cycles.

The stainless steel baseplate and its particular shape guarantee high load resistance and an excellent cleanability, especially in critical conditions; the stainless steel cover offers 100% thread protection and avoids its exposure to external agents; the three seals (blue silicone detectable with food scanner) placed respectively inside the cover and between the spindle and the baseplate guarantee a hermetic closure, avoiding any external parts infiltration and the NBR rubber guarantees anti-slip proprieties and hermetic closure between the leveler and the floor.

Maximum compressive strength (static load) as in the table, maximum tensile strength (static load) 8.000 N

C500 HEAVY

HYGIENIC AND CERTIFIED
STAINLESS STEEL LEVELER

Main features:

- Full machined self-draining baseplate in AISI 304 stainless steel
- Spindle and cover in AISI 304 stainless steel
- Blue seals for hermetic closure
- Vulcanized anti-slip NBR rubber
- Double floor fixation



Nut
Hygienic and certified
903237 M10

DIAMETER

125
mm

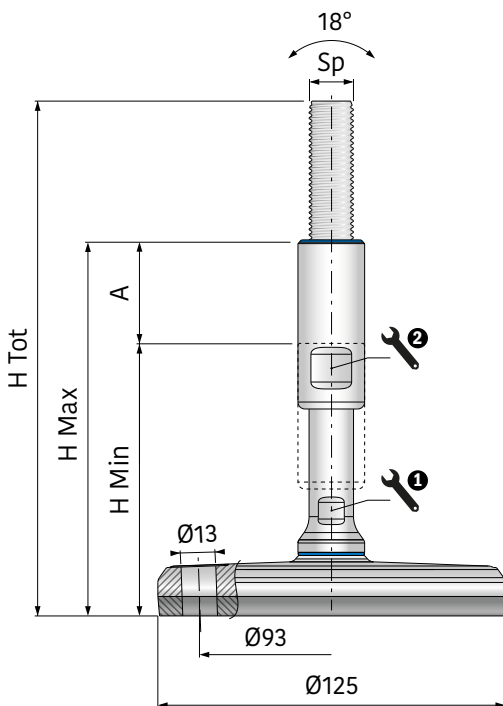
HIGH LOAD



FIXING



ANTI-SLIP



Art-Nr.	Sp	H Tot (mm)	H Min (mm)	H Max (mm)	A (mm)	1 (mm)	2 (mm)	Load (N)
903131	M12	184,5	104,5	149,5	45	10	17	12.000
903132		234,5	134,5	199,5	65	10	17	
903133	M16	184,5	104,5	149,5	45	13	19	30.000
903134		234,5	134,5	199,5	65	13	19	
903135	M20	184,5	104,5	149,5	45	17	24	45.000
903136		234,5	134,5	199,5	65	17	24	
903137	M24	184,5	104,5	149,5	45	19	30	70.000
903138		234,5	134,5	199,5	65	19	30	
903139	M30	184,5	104,5	149,5	45	24	36	100.000
903140		234,5	134,5	199,5	65	24	36	
903141		294,5	194,5	259,5	65	24	36	
903142	M36	184,5	104,5	149,5	45	30	42	130.000
903143		234,5	134,5	199,5	65	30	42	
903144		294,5	194,5	259,5	65	30	42	

The C500-HEAVY series, with full machined baseplate in AISI 304 stainless steel, threaded spindle with cover and hermetic seals is the best choice for industrial environments with critical hygienic level, like dairy, food, chemical and pharmaceutical industries, subjected to daily washing cycles.

The stainless steel baseplate and its particular shape guarantee high load resistance and an excellent cleanability, especially in critical conditions; the stainless steel cover offers 100% thread protection and avoids its exposure to external agents; the three seals (blue silicone detectable with food scanner) placed respectively inside the cover and between the spindle and the baseplate guarantee a hermetic closure, avoiding any external parts infiltration and the NBR rubber guarantees anti-slip proprieties and hermetic closure between the leveler and the floor.

Maximum compressive strength (static load) as in the table, maximum tensile strength (static load) 8.000 N

DIAMETER

150
mm

HIGH LOAD



FIXING



ANTI-SLIP



C500 HEAVY

HYGIENIC AND CERTIFIED
STAINLESS STEEL LEVELER

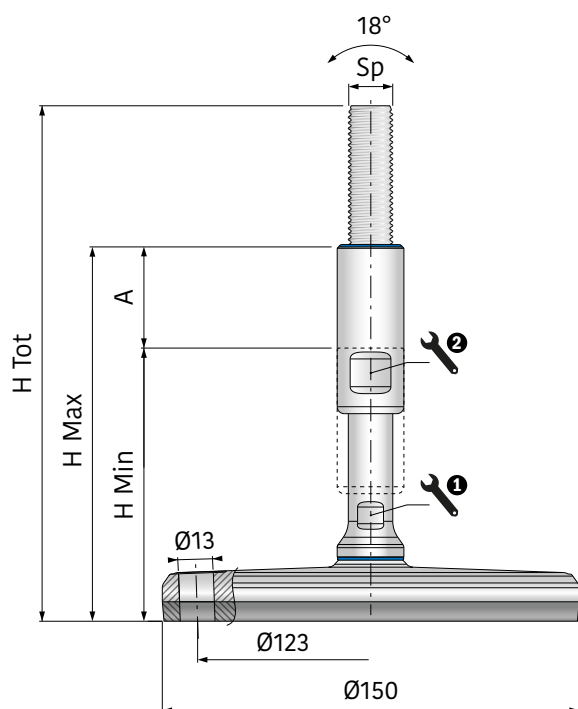
Main features:

- Full machined self-draining baseplate in AISI 304 stainless steel
- Spindle and cover in AISI 304 stainless steel
- Blue seals for hermetic closure
- Vulcanized anti-slip NBR rubber
- Double floor fixation

CERTIFIED PRODUCT

ASK FOR CERTIFICATION:
certificate@movexii.comNut
Hygienic and certified

903238 M12



Art-Nr.	Sp	H Tot (mm)	H Min (mm)	H Max (mm)	A (mm)	1 (mm)	2 (mm)	Load (N)
903145	M12	184,5	104,5	149,5	45	10	17	12.000
903146		234,5	134,5	199,5	65	10	17	
903147	M16	184,5	104,5	149,5	45	13	19	30.000
903148		234,5	134,5	199,5	65	13	19	
903149	M20	184,5	104,5	149,5	45	17	24	45.000
903150		234,5	134,5	199,5	65	17	24	
903151	M24	184,5	104,5	149,5	45	19	30	70.000
903152		234,5	134,5	199,5	65	19	30	
903153	M30	184,5	104,5	149,5	45	24	36	100.000
903154		234,5	134,5	199,5	65	24	36	
903155		294,5	194,5	259,5	65	24	36	
903156	M36	184,5	104,5	149,5	45	30	42	150.000
903157		234,5	134,5	199,5	65	30	42	
903158		294,5	194,5	259,5	65	30	42	

The C500-HEAVY series, with full machined baseplate in AISI 304 stainless steel, threaded spindle with cover and hermetic seals is the best choice for industrial environments with critical hygienic level, like dairy, food, chemical and pharmaceutical industries, subjected to daily washing cycles.

The stainless steel baseplate and its particular shape guarantee high load resistance and an excellent cleanability, especially in critical conditions; the stainless steel cover offers 100% thread protection and avoids its exposure to external agents; the three seals (blue silicone detectable with food scanner) placed respectively inside the cover and between the spindle and the baseplate guarantee a hermetic closure, avoiding any external parts infiltration and the NBR rubber guarantees anti-slip proprieties and hermetic closure between the leveler and the floor.

Maximum compressive strength (static load) as in the table, maximum tensile strength (static load) 8.000 N

C500 HEAVY-SPLIT

HYGIENIC AND CERTIFIED
STAINLESS STEEL LEVELER

Main features:

- Full machined self-draining baseplate in AISI 304 stainless steel
- Spindle and cover in AISI 304 stainless steel
- Blue seals for hermetic closure
- Vulcanized anti-slip NBR rubber
- Separate spindle and baseplate

CERTIFIED PRODUCT



ASK FOR CERTIFICATION:
certificate@movexii.com



DIAMETER

60
mm

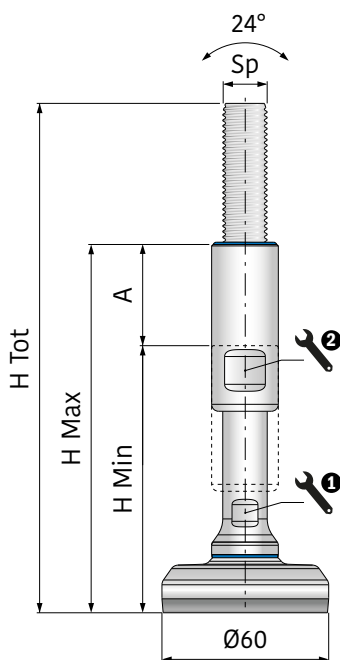
HIGH LOAD



SPLIT VERSION



ANTI-SLIP



Art-Nr.	Sp	H Tot (mm)	H Min (mm)	H Max (mm)	A (mm)	1 (mm)	2 (mm)	Load (N)
903159	M12	182,5	102,5	147,5	45	10	17	12.000
903160		232,5	132,5	197,5	65	10	17	
903161	M16	182,5	102,5	147,5	45	13	19	30.000
903162		232,5	132,5	197,5	65	13	19	
903163	M20	182,5	102,5	147,5	45	17	24	45.000
903164		232,5	132,5	197,5	65	17	24	
903165	M24	182,5	102,5	147,5	45	19	30	60.000
903166		232,5	132,5	197,5	65	19	30	
903167	M30	182,5	102,5	147,5	45	24	36	60.000
903168		232,5	132,5	197,5	65	24	36	
903169		292,5	192,5	257,5	65	24	36	
903170	M36	182,5	102,5	147,5	45	30	42	60.000
903171		232,5	132,5	197,5	65	30	42	
903172		292,5	192,5	257,5	65	30	42	

The C500-HEAVY-SPLIT series, with full machined baseplate in AISI 304 stainless steel, separate threaded spindle with cover and hermetic seals is the best choice for industrial environments with critical hygienic level, like dairy, food, chemical and pharmaceutical industries, subjected to daily washing cycles.

The stainless steel baseplate and its particular shape guarantee high load resistance and an excellent cleanability, especially in critical conditions; the stainless steel cover offers 100% thread protection and avoids its exposure to external agents; the three seals (blue silicone detectable with food scanner) placed respectively inside the cover and between the spindle and the baseplate guarantee a hermetic closure, avoiding any external parts infiltration and the NBR rubber guarantees anti-slip properties and hermetic closure between the leveler and the floor.

Maximum compressive strength (static load) as in the table, maximum tensile strength (static load) not available because the baseplate and the spindle are separate.

DIAMETER

80
mm

HIGH LOAD

Kg

SPLIT VERSION



ANTI-SLIP



C500 HEAVY-SPLIT

HYGIENIC AND CERTIFIED
STAINLESS STEEL LEVELER

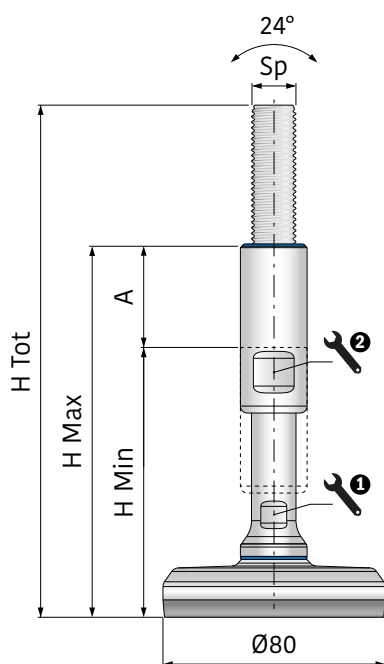
Main features:

- Full machined self-draining baseplate in AISI 304 stainless steel
- Spindle and cover in AISI 304 stainless steel
- Blue seals for hermetic closure
- Vulcanized anti-slip NBR rubber
- Separate spindle and baseplate

CERTIFIED PRODUCT



ASK FOR CERTIFICATION:
certificate@movexii.com



Art-Nr.	Sp	H Tot (mm)	H Min (mm)	H Max (mm)	A (mm)	1 (mm)	2 (mm)	Load (N)
903173	M12	183,5	103,5	148,5	45	10	17	12.000
903174		233,5	133,5	198,5	65	10	17	
903175	M16	183,5	103,5	148,5	45	13	19	30.000
903176		233,5	133,5	198,5	65	13	19	
903177	M20	183,5	103,5	148,5	45	17	24	45.000
903178		233,5	133,5	198,5	65	17	24	
903179	M24	183,5	103,5	148,5	45	19	30	70.000
903180		233,5	133,5	198,5	65	19	30	
903181	M30	183,5	103,5	148,5	45	24	36	80.000
903182		233,5	133,5	198,5	65	24	36	
903183		293,5	193,5	258,5	65	24	36	
903184	M36	183,5	103,5	148,5	45	30	42	80.000
903185		233,5	133,5	198,5	65	30	42	
903186		293,5	193,5	258,5	65	30	42	

The C500-HEAVY-SPLIT series, with full machined baseplate in AISI 304 stainless steel, separate threaded spindle with cover and hermetic seals is the best choice for industrial environments with critical hygienic level, like dairy, food, chemical and pharmaceutical industries, subjected to daily washing cycles.

The stainless steel baseplate and its particular shape guarantee high load resistance and an excellent cleanability, especially in critical conditions; the stainless steel cover offers 100% thread protection and avoids its exposure to external agents; the three seals (blue silicone detectable with food scanner) placed respectively inside the cover and between the spindle and the baseplate guarantee a hermetic closure, avoiding any external parts infiltration and the NBR rubber guarantees anti-slip properties and hermetic closure between the leveler and the floor.

Maximum compressive strength (static load) as in the table, maximum tensile strength (static load) not available because the baseplate and the spindle are separate.

C500 HEAVY-SPLIT

HYGIENIC AND CERTIFIED
STAINLESS STEEL LEVELER

Main features:

- Full machined self-draining baseplate in AISI 304 stainless steel
- Spindle and cover in AISI 304 stainless steel
- Blue seals for hermetic closure
- Vulcanized anti-slip NBR rubber
- Separate spindle and baseplate

CERTIFIED PRODUCT



ASK FOR CERTIFICATION:
certificate@movexii.com



DIAMETER

105
mm

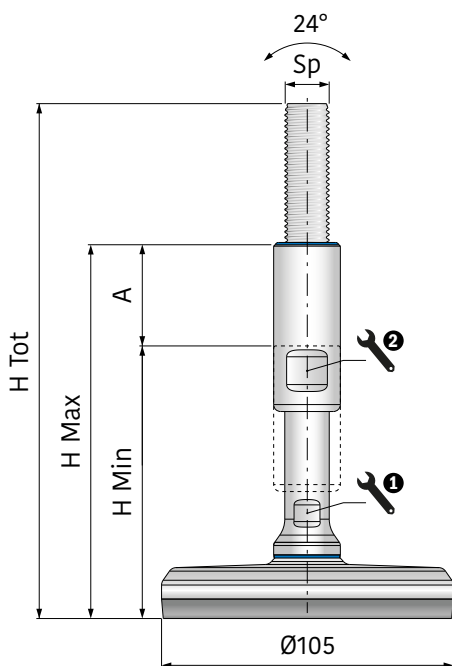
HIGH LOAD



SPLIT VERSION



ANTI-SLIP



Art-Nr.	Sp	H Tot (mm)	H Min (mm)	H Max (mm)	A (mm)	1 (mm)	2 (mm)	Load (N)
903187	M12	184,5	104,5	149,5	45	10	17	12.000
903188		234,5	134,5	199,5	65	10	17	
903189	M16	184,5	104,5	149,5	45	13	19	30.000
903190		234,5	134,5	199,5	65	13	19	
903191	M20	184,5	104,5	149,5	45	17	24	45.000
903192		234,5	134,5	199,5	65	17	24	
903193	M24	184,5	104,5	149,5	45	19	30	70.000
903194		234,5	134,5	199,5	65	19	30	
903195	M30	184,5	104,5	149,5	45	24	36	100.000
903196		234,5	134,5	199,5	65	24	36	
903197		294,5	194,5	259,5	65	24	36	
903198	M36	184,5	104,5	149,5	45	30	42	120.000
903199		234,5	134,5	199,5	65	30	42	
903200		294,5	194,5	259,5	65	30	42	

The C500-HEAVY-SPLIT series, with full machined baseplate in AISI 304 stainless steel, separate threaded spindle with cover and hermetic seals is the best choice for industrial environments with critical hygienic level, like dairy, food, chemical and pharmaceutical industries, subjected to daily washing cycles.

The stainless steel baseplate and its particular shape guarantee high load resistance and an excellent cleanability, especially in critical conditions; the stainless steel cover offers 100% thread protection and avoids its exposure to external agents; the three seals (blue silicone detectable with food scanner) placed respectively inside the cover and between the spindle and the baseplate guarantee a hermetic closure, avoiding any external parts infiltration and the NBR rubber guarantees anti-slip properties and hermetic closure between the leveler and the floor.

Maximum compressive strength (static load) as in the table, maximum tensile strength (static load) not available because the baseplate and the spindle are separate.

DIAMETER

125
mm

HIGH LOAD



SPLIT VERSION



ANTI-SLIP



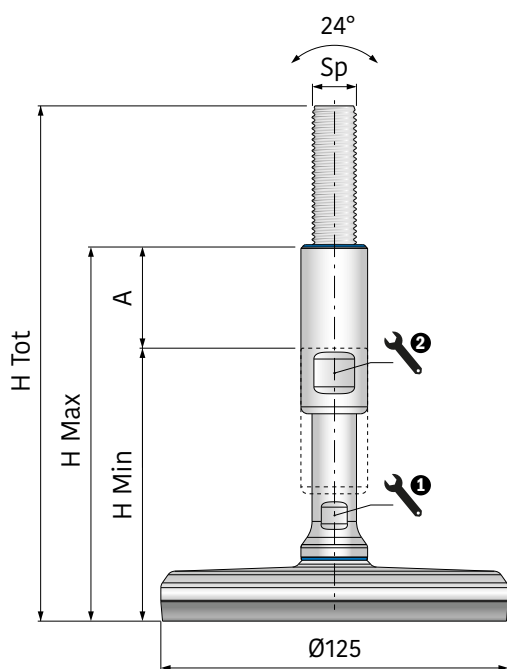
C500 HEAVY-SPLIT

HYGIENIC AND CERTIFIED
STAINLESS STEEL LEVELER

Main features:

- Full machined self-draining baseplate in AISI 304 stainless steel
- Spindle and cover in AISI 304 stainless steel
- Blue seals for hermetic closure
- Vulcanized anti-slip NBR rubber
- Separate spindle and baseplate

CERTIFIED PRODUCT

ASK FOR CERTIFICATION:
certificate@movexii.com

Art-Nr.	Sp	H Tot (mm)	H Min (mm)	H Max (mm)	A (mm)	1 (mm)	2 (mm)	Load (N)
903201	M12	184,5	104,5	149,5	45	10	17	12.000
903202		234,5	134,5	199,5	65	10	17	
903203	M16	184,5	104,5	149,5	45	13	19	30.000
903204		234,5	134,5	199,5	65	13	19	
903205	M20	184,5	104,5	149,5	45	17	24	45.000
903206		234,5	134,5	199,5	65	17	24	
903207	M24	184,5	104,5	149,5	45	19	30	70.000
903208		234,5	134,5	199,5	65	19	30	
903209	M30	184,5	104,5	149,5	45	24	36	100.000
903210		234,5	134,5	199,5	65	24	36	
903211		294,5	194,5	259,5	65	24	36	
903212	M36	184,5	104,5	149,5	45	30	42	130.000
903213		234,5	134,5	199,5	65	30	42	
903214		294,5	194,5	259,5	65	30	42	

The C500-HEAVY-SPLIT series, with full machined baseplate in AISI 304 stainless steel, separate threaded spindle with cover and hermetic seals is the best choice for industrial environments with critical hygienic level, like dairy, food, chemical and pharmaceutical industries, subjected to daily washing cycles.

The stainless steel baseplate and its particular shape guarantee high load resistance and an excellent cleanability, especially in critical conditions; the stainless steel cover offers 100% thread protection and avoids its exposure to external agents; the three seals (blue silicone detectable with food scanner) placed respectively inside the cover and between the spindle and the baseplate guarantee a hermetic closure, avoiding any external parts infiltration and the NBR rubber guarantees anti-slip properties and hermetic closure between the leveler and the floor.

Maximum compressive strength (static load) as in the table, maximum tensile strength (static load) not available because the baseplate and the spindle are separate.

C500 HEAVY-SPLIT

HYGIENIC AND CERTIFIED
STAINLESS STEEL LEVELER

Main features:

- Full machined self-draining baseplate in AISI 304 stainless steel
- Spindle and cover in AISI 304 stainless steel
- Blue seals for hermetic closure
- Vulcanized anti-slip NBR rubber
- Separate spindle and baseplate

CERTIFIED PRODUCT



ASK FOR CERTIFICATION:
certificate@movexii.com



DIAMETER

150
mm

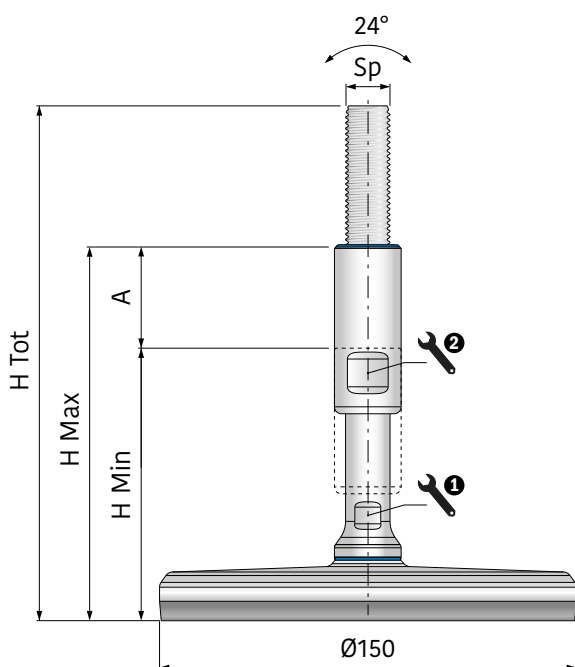
HIGH LOAD



SPLIT VERSION



ANTI-SLIP



Art-Nr.	Sp	H Tot (mm)	H Min (mm)	H Max (mm)	A (mm)	1 (mm)	2 (mm)	Load (N)
903215	M12	184,5	104,5	149,5	45	10	17	12.000
903216		234,5	134,5	199,5	65	10	17	
903217	M16	184,5	104,5	149,5	45	13	19	30.000
903218		234,5	134,5	199,5	65	13	19	
903219	M20	184,5	104,5	149,5	45	17	24	45.000
903220		234,5	134,5	199,5	65	17	24	
903221	M24	184,5	104,5	149,5	45	19	30	70.000
903222		234,5	134,5	199,5	65	19	30	
903223	M30	184,5	104,5	149,5	45	24	36	100.000
903224		234,5	134,5	199,5	65	24	36	
903225		294,5	194,5	259,5	65	24	36	
903226	M36	184,5	104,5	149,5	45	30	42	150.000
903227		234,5	134,5	199,5	65	30	42	
903228		294,5	194,5	259,5	65	30	42	

The C500-HEAVY-SPLIT series, with full machined baseplate in AISI 304 stainless steel, separate threaded spindle with cover and hermetic seals is the best choice for industrial environments with critical hygienic level, like dairy, food, chemical and pharmaceutical industries, subjected to daily washing cycles.

The stainless steel baseplate and its particular shape guarantee high load resistance and an excellent cleanability, especially in critical conditions; the stainless steel cover offers 100% thread protection and avoids its exposure to external agents; the three seals (blue silicone detectable with food scanner) placed respectively inside the cover and between the spindle and the baseplate guarantee a hermetic closure, avoiding any external parts infiltration and the NBR rubber guarantees anti-slip properties and hermetic closure between the leveler and the floor.

Maximum compressive strength (static load) as in the table, maximum tensile strength (static load) not available because the baseplate and the spindle are separate.

C500, C500-HEAVY, C500-SPLIT, C500-HEAVY-SPLIT series are certified 3A and EHEDG, following product details.

FEATURES



Base, spindle and cover material:

- Stainless steel AISI 304 (1.4301) – available also in AISI 316 (1.4401) on request

Anti-slip rubber:

- NBR rubber, color black
- Hardness: 70-75 Shore-A
- Working temperature: $-30^{\circ}\text{C} \div 110^{\circ}\text{C}$
- Compliant to REACH (CE 1907-2006)
- Compliant to ROHS&ROHS 2 (2002/95/EC)

Seals:

- Silicone rubber, color blue
- Hardness: 60 Shore-A
- Working temperature: $-60^{\circ}\text{C} \div 200^{\circ}\text{C}$
- Compliant to FDA normative

Ref. Norms.



The **C500 series** and all its versions (**HEAVY, SPLIT** and **HEAVY-SPLIT**) are the ideal choice for all those environments where hygienic level is constantly monitored (dairy, food, chemical and pharmaceutical industries) subjected to daily washing cycles.

Self-draining surfaces with roughness lower than $0,8 \mu\text{m}$ and the 3 seals (blue silicone detectable with food scanner) placed respectively inside the cover and between the spindle and the baseplate guarantee a hermetic closure, avoiding any external parts infiltration.

Following **3A** normative, levelers are properly installed when they provide a minimum clearance between the lowest part of the equipment and the floor of not less than 4.0 in. (102 mm) when the equipment base outlines an area in which no point is more than 12.5 in. (318 mm) from the nearest edge of the base, or a clearance of at least 6 in. (152 mm) when any point is more than 12.5 in. (318 mm) from the nearest edge.

Following **EHEDG** normative, recommended distance between floor and machined is at least 300 mm.

Levelers with fixation need to be installed always with Movex certified nuts, on the contrary the company will not guarantee certifications requirements (follow installation manual – floor fixation, provided with every delivery).

Movex supplies all certified levelers with seals (unlosable); nevertheless, the end user should always check correct seals position before proceeding with the installation (follow installation manual, provided with every delivery).

C500 levelers have great resistance to the most common industrial detergents, following material specifications, compatibly with producer specifications.

For a correct execution, please always follow provided manual (maintenance and cleaning manual, included in with every delivery).

1. Before installing the levelers be sure that:



Floor inclination is not higher than product specifications (max 9° for standard version and max 12° for SPLIT version).



Support surface doesn't have any imperfection underneath and all around the leveler, if so, eliminate them or seal with industrial sealant compliant to your business requirements.



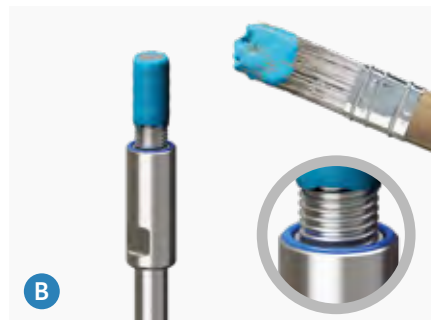
Do not place it close to floor grooves, if unavoidable, seal them with industrial sealant compliant to your business requirements.

Repeat the operations for all the levelers.

2. To install the leveler:



Lift the machine to get an easier access, so clean the bottom surface of the machine to be sure that the seal will close completely the thread part.



Check if the seal is mounted correctly and grease the thread part with food grade grease, removing excesses.



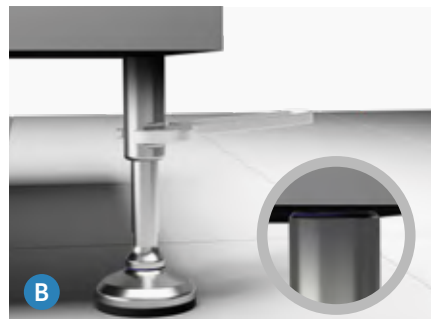
Screw and adjust height with a wrench on the proper groove, being sure not to exceed the max height.

Repeat the operations for all the levelers.

3. Final step:



Lower the machine and eventually correct wrong heights, being sure the load is evenly distributed



Tight the cover with a wrench on the proper groove, being sure the seal is against the machine.



Check that thread part doesn't protrude, if so, please repeat the operation.



Warning: To ensure hygienic requirements, all the various steps must be performed and respected.

1. Before installing the levelers be sure that:



Support surface doesn't have any imperfection underneath and all around the leveler, if so, turn the base till a free part for hole is available.

2. To install the leveler:



Hold the drill at 2-3° of inclination, like the hole, and drill.



If necessary, place the guide against the base, so insert the drill through the holes and drill.

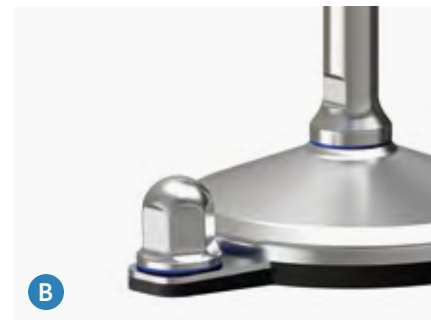


Use an anchoring rod or an expanding anchor; in both cases, be sure to follow instructions from supplier, so wait until anchors are ready to be used.

3. Final step:



Standard version: use washer and nut to fix the leveler to the floor.



Certified version: use always certified nut to guarantee product hygienic performances (different nut types can be ordered directly from our catalogue).

* Max torque 10-12 Nm



Warning: Follow same procedure for the levelers with double floor fixation.

1. Maintenance:



Periodically check **seals**, in case of any damaging, please replace only with Movex parts.



Periodically check anti-slip rubber, in case of damaging, please replace the entire leveler.



If the leveler shows any crack or scratch, it needs to be replaced. If the leveler or the surrounding area show evident dirt, sanitize it by following instructions in the next section.

2. Cleaning:



Rinse with water (max 40°C).



Apply detergent and let it act for at least 10 minutes.



Rinse with hot water (max 100° and 8-12 bar) and keep the high-pressure jet at 45° inclination and 30 cm min. distance.



In case there is still residual dirt, get briefly close with high-pressure jet or use a plastic scratch (do not use steel brushes, they will irreparably damage the leveler; if so, change it).



The product is now sanitized.



Warning: If the leveler wasn't still visibly clean, repeat the cleaning operation a second time.

Accessories



ACCESSORIES

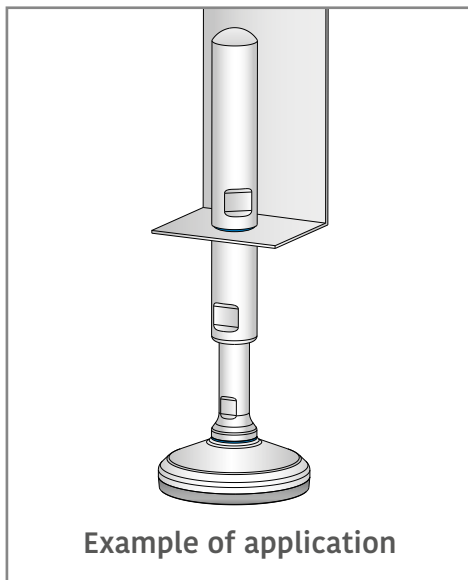
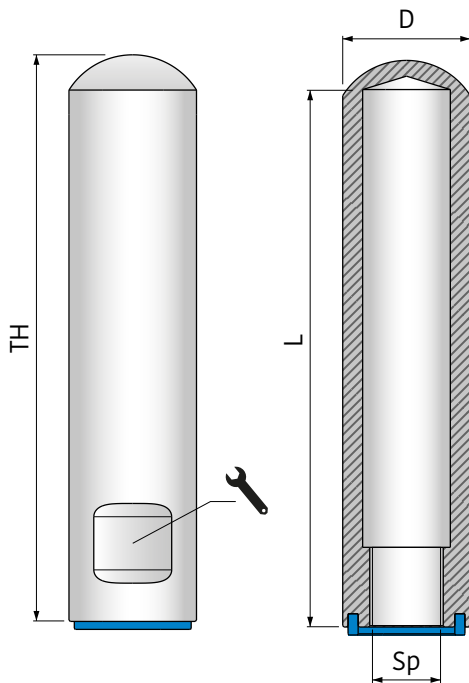
Movex

Top cover

HYGIENIC AND CERTIFIED

Main features:

- Stainless steel structure AISI 304
- Blue seal for hermetic closure
- Perfect to protect the threaded spindle



Art-Nr.	Sp	D (mm)	TH (mm)	L (mm)	Wrench (mm)
903229	M12	Ø20	110	100	17
903230	M16	Ø24	110	100	19
903231	M20	Ø30	110	100	24
903232	M24	Ø34	110	100	30
903233	M30	Ø40	110	100	36
903234	M36	Ø46	110	100	42

Nuts

SIMPLE



Main features:

- Stainless steel structure
- UNI 5588 - ISO 4032 - DIN 934

Art-Nr.	Sp	Material	Box	Art-Nr.	Sp	Material	Box
99801	M10	Stainless steel	50 pcs	99801Z	M10	Zinc plated steel	50 pcs
99802	M12	Stainless steel	50 pcs	99802Z	M12	Zinc plated steel	50 pcs
99804	M16	Stainless steel	10 pcs	99804Z	M16	Zinc plated steel	10 pcs
99805	M20	Stainless steel	10 pcs	99805Z	M20	Zinc plated steel	10 pcs
99806	M24	Stainless steel	5 pcs	99806Z	M24	Zinc plated steel	5 pcs
99807	M30	Stainless steel	5 pcs	99807Z	M30	Zinc plated steel	5 pcs
99808	M36	Stainless steel	5 pcs	99808Z	M36	Zinc plated steel	5 pcs

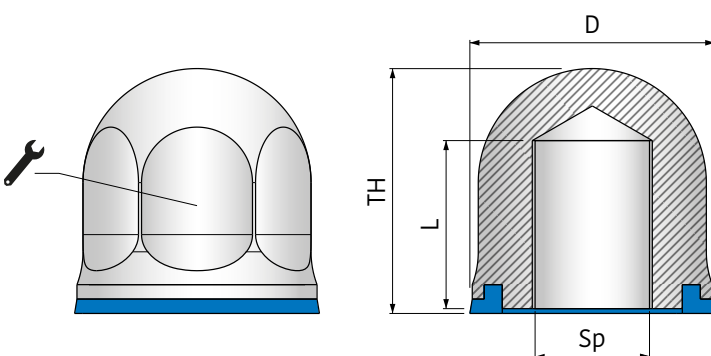
Nuts

HYGIENIC AND CERTIFIED



Main features:

- Stainless steel structure AISI 304
- Blue seal for hermetic closure

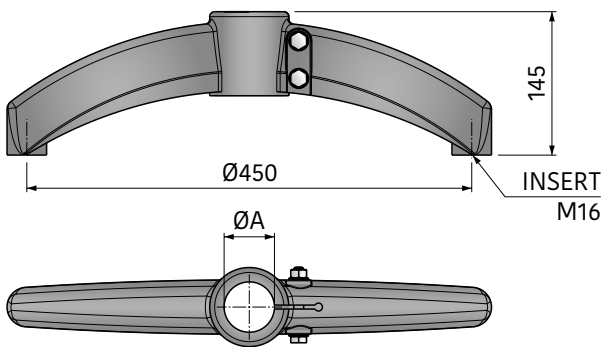


Art-Nr.	Sp	D (mm)	TH (mm)	L (mm)	Wrench (mm)	Box
903235	M6	13	14	10	10	10 pcs
903236	M8	16	17	12	13	10 pcs
903237	M10	20	20,5	15	16	10 pcs
903238	M12	24,5	25	18	18	10 pcs
903239	M16	32	32	23	24	10 pcs
903240	M20	39	38	27	30	10 pcs

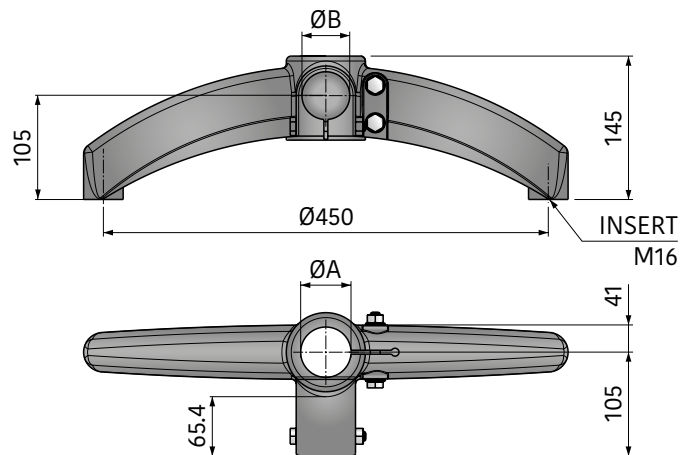
Support base

BOLTS INCLUDED

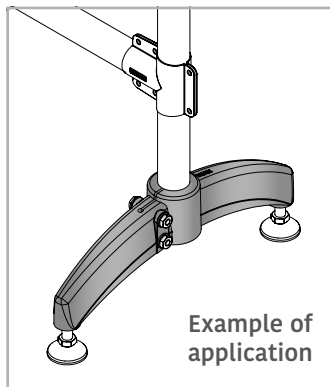
Bipod



Bipod 180° with connector

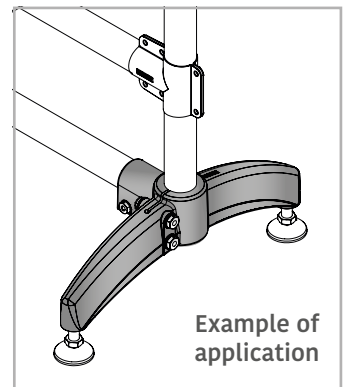


Art-Nr.	ØA
40101	48,3
40105	50,9
40102	60,3

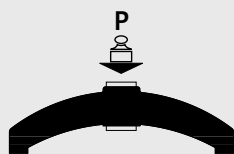


Material: Base: Polyamide
Bolts and washers: Stainless steel
Inserts: Nickel plated brass

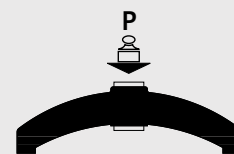
Art-Nr.	ØA	ØB
40201	48,3	48,3
40205	50,9	48,3
40202	60,3	48,3
40203	48,3	42,4
40206	50,9	42,4
40204	60,3	42,4



Material: Base: Polyamide
Bolts and washers: Stainless steel
Inserts: Nickel plated brass



- Tube sliding load resistance P= 8.000 N
- Max applicable load P= 9.600 N
- Bolts tightening torque 25 N.m

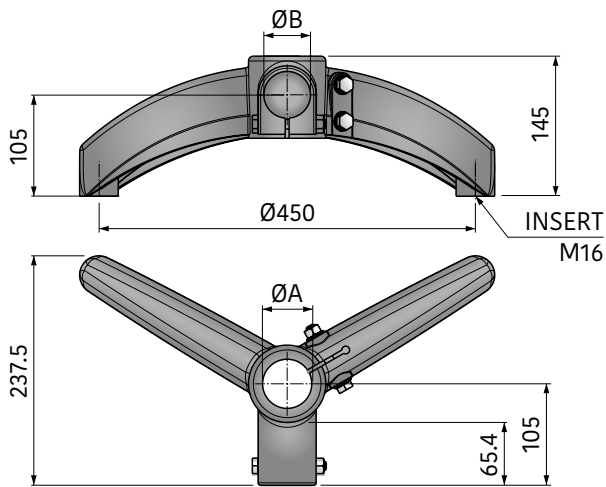


- Tube sliding load resistance P= 8.000 N
- Max applicable load P= 8.000 N
- Bolts tightening torque 25 N.m

Support base

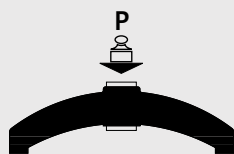
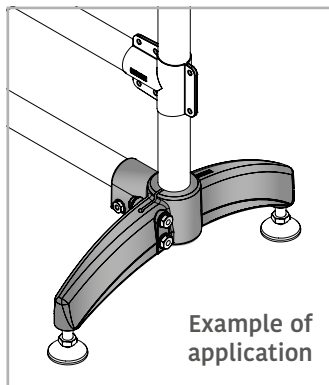
BOLTS INCLUDED

Bipod 120° with connector



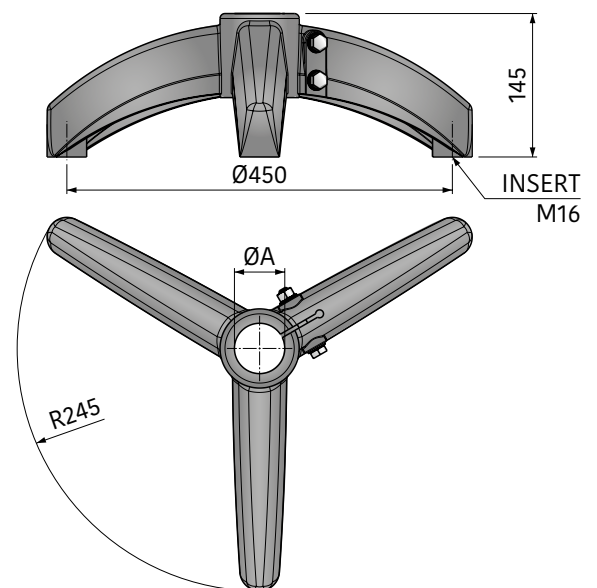
Art-Nr.	ØA	ØB
40301	48,3	48,3
40305	50,9	48,3
40302	60,3	48,3
40303	48,3	42,4
40306	50,9	42,4
40304	60,3	42,4

Material: Base: Polyamide
Bolts and washers: Stainless steel
Inserts: Nickel plated brass



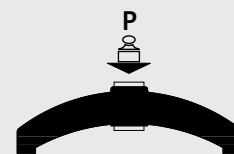
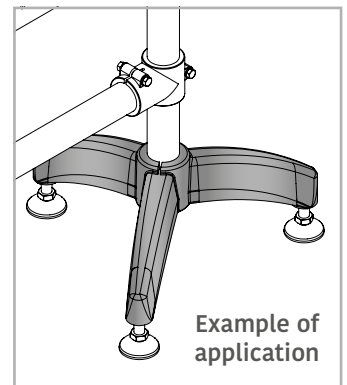
- Tube sliding load resistance $P = 8.000 \text{ N}$
- Max applicable load $P = 8.000 \text{ N}$
- Bolts tightening torque 25 N.m

Tripod



Art-Nr.	ØA
40401	48,3
40405	50,9
40402	60,3

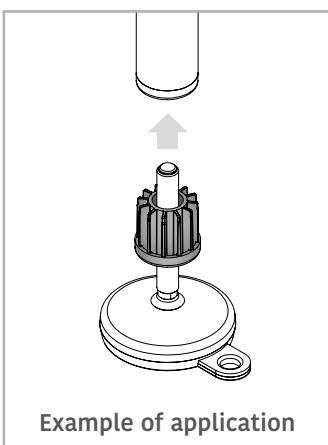
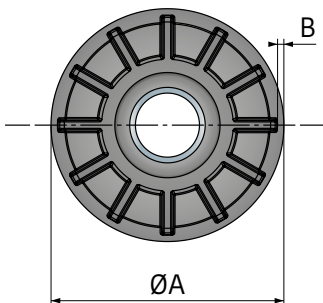
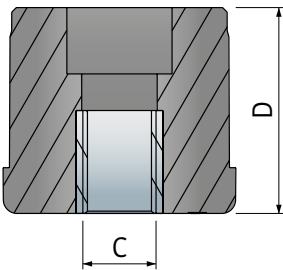
Material: Base: Polyamide
Bolts and washers: Stainless steel
Inserts: Nickel plated brass



- Tube sliding load resistance $P = 8.000 \text{ N}$
- Max applicable load $P = 10.000 \text{ N}$
- Bolts tightening torque 25 N.m

Threaded bushings

FOR ROUND TUBES



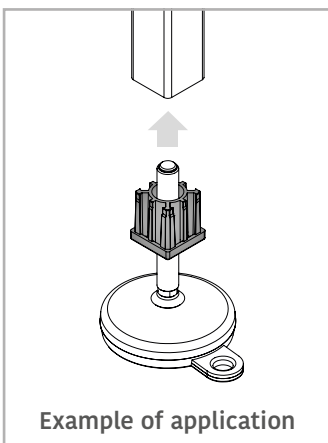
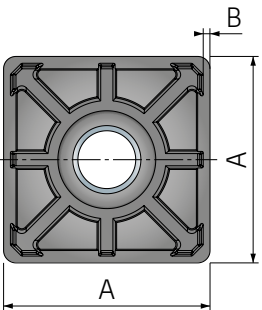
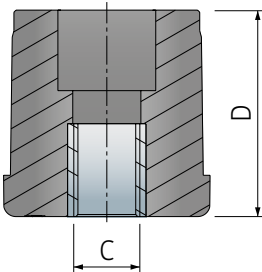
Art-Nr.	ØA	B	C	D
41507	30	1	M10	33
41508			M12	33
41509			M14	33
41510			M16	33
41511	30	1,5	M10	33
41512			M12	33
41513			M14	33
41514			M16	33
41515	30	2	M10	33
41516			M12	33
41517			M14	33
41518			M16	33
41519	30	2,5	M10	33
41520			M12	33
41521			M14	33
41522			M16	33
41523	38	1,5	M10	40
41524			M12	40
41525			M14	40
41526			M16	40
41527	38	2	M10	40
41528			M12	40
41529			M14	40
41530			M16	40
41531	38	2,5	M10	40
41532			M12	40
41533			M14	40
41534			M16	40
41535	42,4	1,5	M10	43
41536			M12	43
41537			M14	43
41538			M16	43
41539			M20	43
41540	42,4	2	M10	43
41541			M12	43
41542			M14	43
41543			M16	43
41544			M20	43
41545	42,4	2,5	M10	43
41546			M12	43
41547			M14	43
41548			M16	43
41549			M20	43
41550	48,3	1,5	M10	48
41551			M12	48
41552			M14	48
41501			M16	48
41502			M20	48

Art-Nr.	ØA	B	C	D
41553	48,3	2	M10	55
41554			M12	55
41555			M14	55
41556			M16	55
41557			M20	55
41558	48,3	2,5	M10	48
41559			M12	48
41560			M14	48
41561			M16	48
41562			M20	48
41563	50	1,5	M10	50
41564			M12	50
41565			M14	50
41503			M16	50
41504			M20	50
41566	50,9	1,5	M10	50
41567			M12	50
41568			M14	50
41569			M16	50
41570			M20	50
41571	50,9	2	M10	50
41572			M12	50
41573			M14	50
41574			M16	50
41575			M20	50
41576	50,9	2,5	M10	50
41577			M12	50
41578			M14	50
41579			M16	50
41580			M20	50
41581	60,3	1,5	M10	55
41582			M12	55
41583			M14	55
41584			M16	55
41585			M20	55
41586	60,3	2	M10	55
41587			M12	55
41588			M14	55
41505			M16	55
41506			M20	55
41589	60,3	2,5	M10	55
41590			M12	55
41591			M14	55
41592			M16	55
41593			M20	55

Material:
 Plug: Polyamide
 Insert: Nickel plated brass

Threaded bushings

FOR SQUARE TUBES



Art-Nr.	A	B	C	D
41601	25	1,5	M10	30
41602			M12	30
41611	30	1,5	M10	33
41603			M12	33
41612			M14	33
41604			M16	33
41613	30	2	M10	33
41614			M12	33
41615			M14	33
41616			M16	33
41617	35	1,5	M10	43
41618			M12	43
41619			M14	43
41620			M16	43
41621			M20	43
41622	35	2	M10	43
41623			M12	43
41624			M14	43
41625			M16	43
41626			M20	43
41681	38,1	1,6	M10	43
41682			M12	43
41683			M14	43
41684			M16	43
41685			M20	43
41686	38,1	3	M10	43
41687			M12	43
41688			M14	43
41689			M16	43
41690			M20	43
41627	40	1,2	M10	43
41628			M12	43
41629			M14	43
41630			M16	43
41631			M20	43
41632	40	1,5	M10	43
41605			M12	43
41633			M14	43
41606			M16	43
41634			M20	43
41635	40	2	M10	43
41636			M12	43
41637			M14	45
41607			M16	45
41608			M20	45
41638	40	2,5	M10	45
41639			M12	45
41640			M14	45
41641			M16	45
41642			M20	45

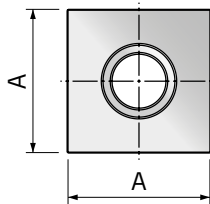
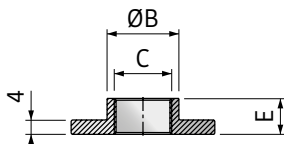
Art-Nr.	A	B	C	D
41643	45	2	M10	50
41644			M12	50
41645			M14	50
41646			M16	50
41647			M20	50
41648	50	1,2	M10	50
41649			M12	50
41650			M14	50
41651			M16	50
41652			M20	50
41653	50	1,5	M10	50
41654			M12	50
41655			M14	50
41656			M16	50
41657			M20	50
41658	50	2	M10	50
41659			M12	50
41660			M14	50
41609			M16	50
41610			M20	50
41661	50	2,5	M10	50
41662			M12	50
41663			M14	50
41664			M16	50
41665			M20	50
41666	50	3	M10	50
41667			M12	50
41668			M14	50
41669			M16	50
41670			M20	50
41671	60	2	M10	55
41672			M12	55
41673			M14	55
41674			M16	55
41675			M20	55
41676	60	3	M10	55
41677			M12	55
41678			M14	55
41679			M16	55
41680			M20	55

Material:
 Plug: Polyamide
 Insert: Nickel plated brass

Threaded bushings

FOR DIFFERENT TYPES OF TUBES

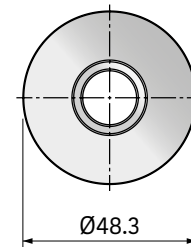
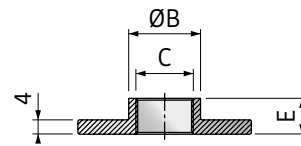
For square tubes



Art-Nr.	A	C	ØB	E
42801	40	M16	20	10
42802	40	M20	23	11,5
42803	45	M16	20	10
42804	45	M20	23	11,5
42805	50	M16	20	10
42806	50	M20	23	11,5
42807	60	M16	20	10
42808	60	M20	23	11,5

Material: Stainless steel AISI 304

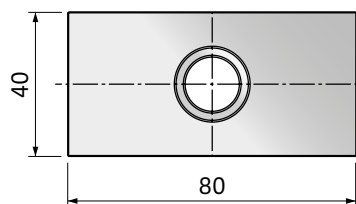
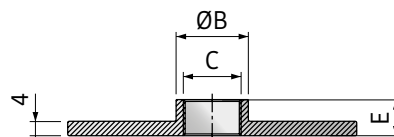
For round tubes



Art-Nr.	C	ØB	E
42901	M16	20	10
42902	M20	23	11,5

Material: Stainless steel AISI 304

For rectangular tubes



Art-Nr.	C	ØB	E
43001	M16	20	10
43002	M20	23	11,5

Material: Stainless steel AISI 304