







CHIARAVALLI GROUP world:  
much more than a collection of perfects mechanical components





# TENSIONERS-CHAIN TENSIONER BELT TENSIONER BRAND CHT<sup>®</sup>

## LINEAR TENSIONERS

|  |        |
|--|--------|
| ASSEMBLY INSTRUCTION TYPE AS - TYPE L          | page 6 |
| LINEAR TENSIONER <b>CHT-L</b>                  | 7      |
| LINEAR TENSIONER <b>CHT-AS</b>                 | 8      |
| LINEAR CHAIN TENSIONER <b>CHT-ASR CHT-ASTN</b> | 9      |
| LINEAR CHAIN TENSIONER <b>CHT-ASFR TN</b>      | 10     |
| LINEAR BELT TENSIONER <b>CHT-ASRU</b>          | 11     |
| LINEAR CHAIN TENSIONER <b>CHT-LP</b>           | 12     |
| LINEAR CHAIN TENSIONER <b>CHT-ASGE</b>         | 13     |
| LINEAR CHAIN TENSIONER <b>CHT-ASGO</b>         | 14     |
| LINEAR CHAIN TENSIONER <b>CHT-ASGA</b>         | 15     |
| LINEAR CHAIN TENSIONER <b>CHT-PAE-PAO</b>      | 16     |

## ROTATING TENSIONERS

|  |    |
|--|----|
| ASSEMBLY INSTRUCTION TYPE T                    | 18 |
| ROTATING TENSIONER <b>CHT-T</b>                | 20 |
| ROTATING CHAIN TENSIONER <b>CHT-TR CHT-TTN</b> | 21 |
| ROTATING CHAIN TENSIONER <b>CHT-TGE</b>        | 22 |
| ROTATING BELT TENSIONER <b>CHT-TRU</b>         | 23 |
| ASSEMBLY INSTRUCTION TYPE E                    | 25 |
| ROTATING TENSIONER <b>CHT-E</b>                | 26 |
| ROTATING TENSIONER <b>CHT-ER</b>               | 27 |
| ROTATING BELT TENSIONER <b>CHT-ERU</b>         | 28 |
| ROTATING CHAIN TENSIONER <b>CHT-EGE</b>        | 29 |

## COMPONENTS

|   |    |
|---|----|
| BELT TENSIONER ROLLER <b>CHT-RU</b>                                 | 30 |
| SLIDING BLOCK TENSIONER <b>CHT-P</b>                                | 31 |
| SLIDING BLOCK CHAIN TENSIONER <b>CHT-GA CHT-GE CHT-GO</b>           | 32 |
| REPLACEMENT SLIDING BLOCK CHAIN TENSIONER <b>ASGA - ASGE - ASGO</b> | 33 |
| CHAIN TENSIONER SPROCKETS <b>CHT-R</b>                              | 34 |
| CHAIN TENSIONER SPROCKETS <b>CHT-TN</b>                             | 35 |

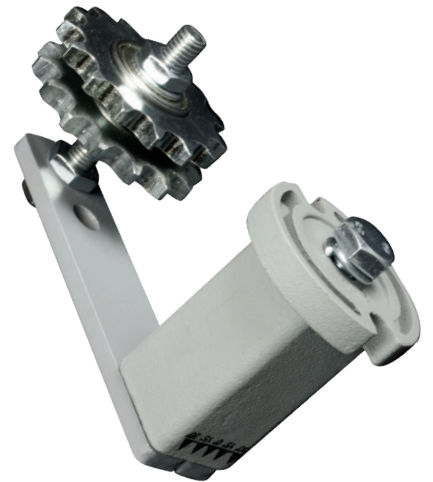
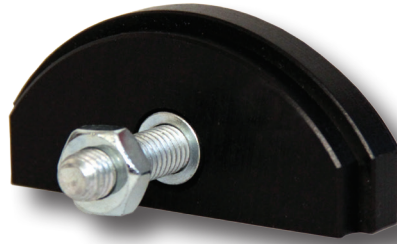
## ROTATING TENSIONERS TYPE E INOX

|  |    |
|--|----|
| ASSEMBLY INSTRUCTION TYPE E INOX             | 37 |
| ROTATING TENSIONER <b>CHT-E INOX</b>         | 38 |
| ROTATING TENSIONER <b>CHT-ER INOX</b>        | 39 |
| ROTATING BELT TENSIONER <b>CHT-ERU INOX</b>  | 40 |
| ROTATING CHAIN TENSIONER <b>CHT-EGE INOX</b> | 41 |
| BELT TENSIONER ROLLER <b>CHT-RU INOX</b>     | 42 |
| CHAIN TENSIONER SPROCKETS <b>CHT-R INOX</b>  | 43 |





TENSIONERS MADE IN ITALY BRAND CHT®







## TECHNICAL CONSTRUCTION

Chiaravalli Group SpA produces all its automatic tensioners in Italy. Our automatic tensioners keep the tension of the chains and the belts constant. Their automatic tension action improves the performances and increases the duration of the chains and the belts, thus reducing the maintenance on them. Furthermore, the tensioners can also be used as pressers, to keep any item in the desired position in movement on the transport band lines.

The incorporated spring mechanism acts as damper, by absorbing the overloaded and reducing the vibrations.

The reliability and noiseless of our tensioners is possible thanks to the self-lubricating bushing in PTFE and T line rotating tensioner thanks to the sintered bronze bushings.

The quote N is calculated thanks to pressure tests performed in a technical laboratory.

Our tensioners underwent a load check with steady compression method. The pertaining results are published in the tensioner section of our website.

The values shown have a tolerance of  $\pm 5\%$ .

The tensioners are available in a wide variety of models and sizes, they are used in several applications such as agricultural machines, conveyors bands, packaging, bottling and printing machines and industrial applications, where chains or belts are involved.

The high quality of the used materials and the accuracy of the items machining process, make our tensioners, higher quality products, with long-life, capable to withstand heavy loads in any environment. All tensioners with aluminum body/base are black painted through the cathaphoresis process.

This process consist of the immersion of the parts with a continue electric current. The deposited film confers to the tensioners aesthetic and anticorrosive characteristics, then prolonging ther life time. The tensioners can be provided as single elements, in linear versions AS and L and rotating T and E, or complete of chain tensioner sprockets, belt tensioner roller or chain tensioner sliding block (in polyethylene UHMW high molecular mass 1.000.000 black).

Different colors are available as option too.

On request, we can provide special tensioners with customized dimensions and loads.





# LINEAR TENSIONERS BRAND CHT®



Special tensioners  
on demand







The automatic tensioners series **CHT-AS** and their relating variants (that you can find in the following pages) keep the tension of the chains or belts constantly tensioned, recovering axially the extension of the same, through multiple compression springs contained inside the basic body.

The structural parts are die-cast high-tensile aluminum body frame painted, by means of the cataphoresis process.

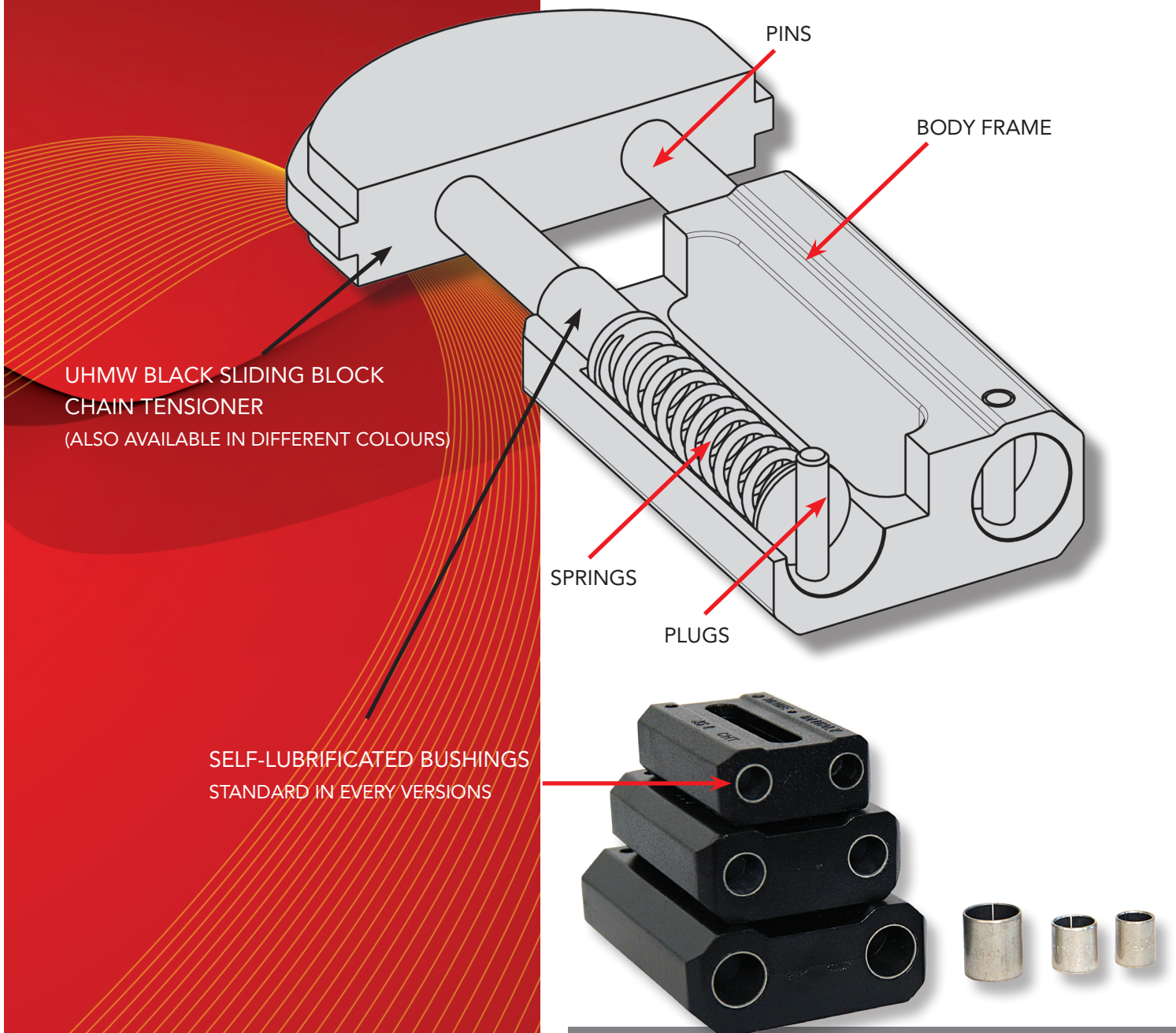
The dry self-lubricating bushings with standard PTFE in all sizes and versions, provide perfect surfaces for the pins sliding, without any wear.

Flexible items and springs elements in steel league, provide a constant tension. The quote N is calculated thanks to pressure tests performed in a technical laboratory.

Our tensioners underwent a load check with steady compression method. The pertaining results are published in the tensioner section of our website.

The values shown have a tolerance of  $\pm 5\%$ .

Simple assembling with the possibility to preload the tensioner through the frontal hole.





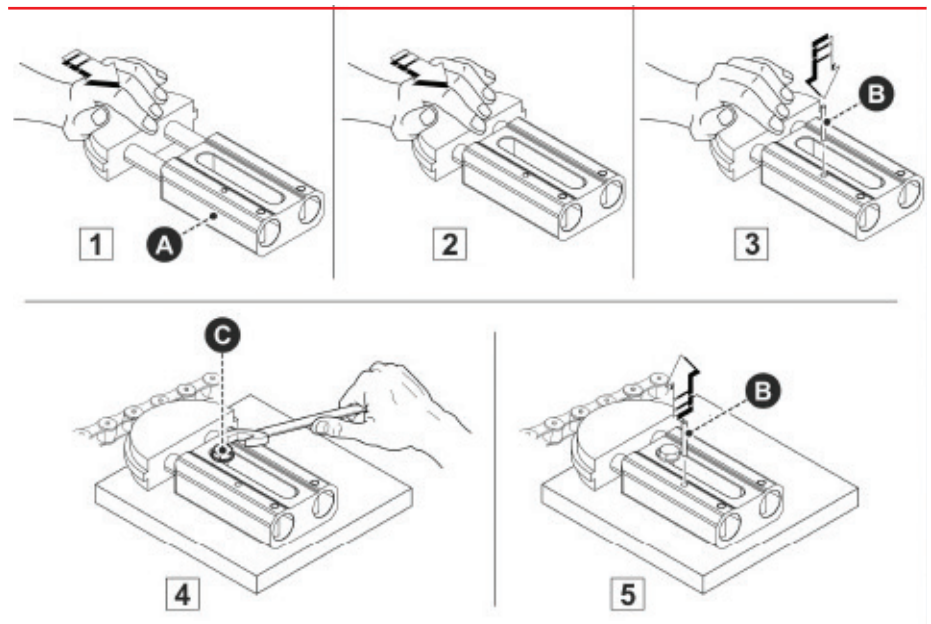


## TYPE AS - TYPE L

- 1) Preload the tensioner "A".
- 2) Compress springs.
- 3) Insert a pin "B" in the frontal hole, present on the basic frame.
- 4) Fix the locking screw "C" in the highest slot point to allow, if necessary, the displacement of the tensioner onwards.
- 5) Pull out the pin "B".

### NOTE

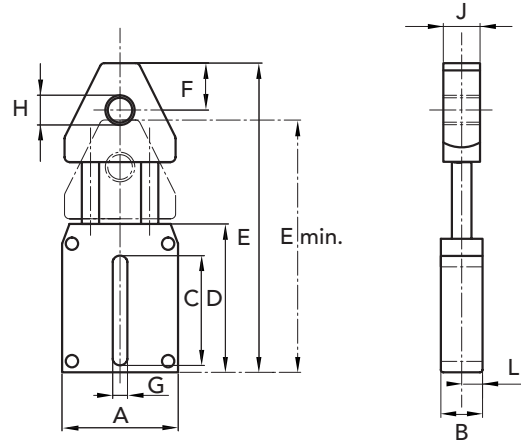
In case of irregular surfaces or heavy applications, it is advisable the use of two security screws, to avoid the tensioner rotation.







- Our tensioner type L is a compact version that allows to get a different tension strength with reduced dimensions. This is possible thanks to the possibility to use the same base changing only the head and the springs.
- It is possible to set up chain tensioner sprockets type R or TN or our belt rollers RU.
- High resistance die-cast aluminium body.
- Self-lubricating dry bushings with standard PTFE.
- Available with stainless steel springs, studs, plugs and washers.
- Supplied with closing caps in the bottom part of the tensioner.



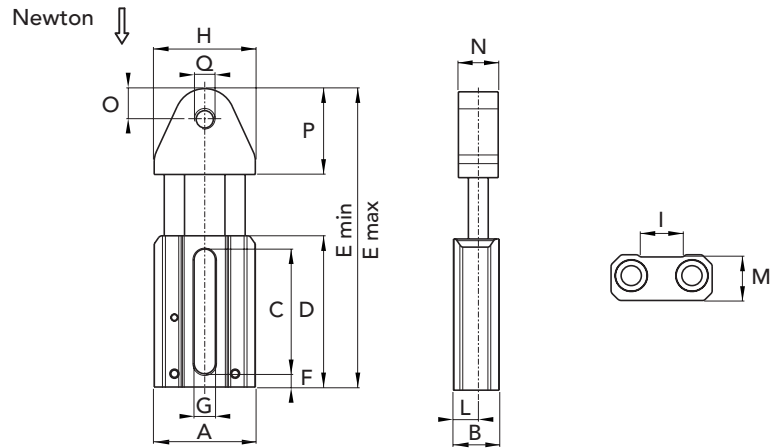
| TYPE | P. NUMBER | Newton | A  | B  | C  | D  | E   | E min. | F  | G    | H    | J  | L    | M  | I  | WEIGHT Kg. |
|------|-----------|--------|----|----|----|----|-----|--------|----|------|------|----|------|----|----|------------|
| L 1  | 94020001  | 230    | 50 | 23 | 61 | 74 | 143 | 121    | 14 | 10,5 | M 12 | 20 | 12,5 | 22 | 20 | 0,26       |
| L 2  | 94020002  | 350    | 50 | 23 | 61 | 74 | 153 | 130    | 14 | 12   | M 12 | 20 | 12,5 | 22 | 20 | 0,28       |
| L 3  | 94020003  | 450    | 50 | 23 | 61 | 74 | 164 | 135    | 14 | 12   | M 12 | 20 | 12,5 | 22 | 20 | 0,32       |







- Tensioner AS with aluminum head to secure accessories
- Dry self-lubricating bushings with standard PTFE
- The quote N is calculated thanks to pressure tests performed in a technical laboratory. The values shown have a tolerance of  $\pm 5\%$
- On request available with stainless steel pin, springs, plugs and washer



| TYPE    | P. NUMBER | Newton | A  | B    | C  | D   | E min | E max | F   | G    | H  | I    | L    | M    | N  | O  | P  | Q   | WEIGHT Kg. |
|---------|-----------|--------|----|------|----|-----|-------|-------|-----|------|----|------|------|------|----|----|----|-----|------------|
| AS1 M8  | 94021008N | 280    | 50 | 23   | 61 | 74  | 119   | 144   | 6,5 | 10,5 | 52 | 20   | 12,5 | 22   | 20 | 14 | 40 | M8  | 0,28       |
| AS1 M10 | 94021010N | 280    | 50 | 23   | 61 | 74  | 119   | 144   | 6,5 | 10,5 | 52 | 20   | 12,5 | 22   | 20 | 14 | 40 | M10 | 0,27       |
| AS1 M12 | 94021012N | 280    | 50 | 23   | 61 | 74  | 119   | 144   | 6,5 | 10,5 | 52 | 20   | 12,5 | 22   | 20 | 14 | 40 | M12 | 0,26       |
| AS1 M16 | 94021016N | 280    | 50 | 23   | 61 | 74  | 119   | 144   | 6,5 | 10,5 | 52 | 20   | 12,5 | 22   | 20 | 14 | 40 | M16 | 0,25       |
| AS2 M12 | 94022012N | 460    | 67 | 28   | 73 | 87  | 144   | 176   | 7   | 12,5 | 67 | 25   | 15   | 25,5 | 25 | 12 | 50 | M12 | 0,52       |
| AS2 M16 | 94022016N | 460    | 67 | 28   | 73 | 87  | 144   | 176   | 7   | 12,5 | 67 | 25   | 15   | 25,5 | 25 | 12 | 50 | M16 | 0,51       |
| AS3 M12 | 94023012N | 690    | 80 | 32,5 | 88 | 104 | 172   | 209   | 8   | 14,5 | 80 | 29,5 | 17,5 | 28,5 | 30 | 14 | 60 | M12 | 0,89       |
| AS3 M14 | 94023014N | 690    | 80 | 32,5 | 88 | 104 | 172   | 209   | 8   | 14,5 | 80 | 29,5 | 17,5 | 28,5 | 30 | 14 | 60 | M14 | 0,88       |
| AS3 M16 | 94023016N | 690    | 80 | 32,5 | 88 | 104 | 172   | 209   | 8   | 14,5 | 80 | 29,5 | 17,5 | 28,5 | 30 | 14 | 60 | M16 | 0,88       |

**ON DEMAND**

special tensioners  
with passing rods


**TRACTION  
OPERATION**

**ON DEMAND**

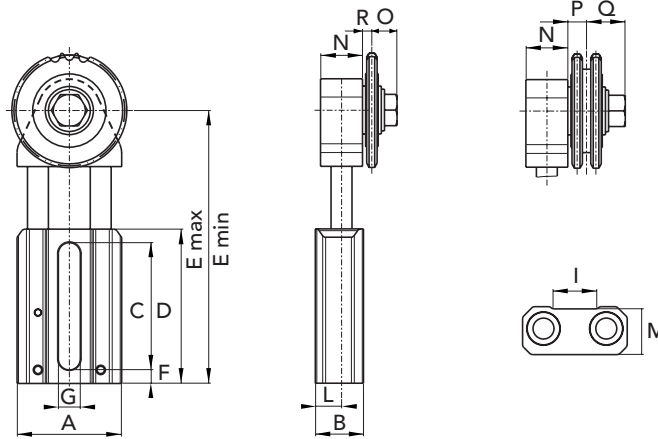
special tensioners  
with traction  
operation







- Tensioner AS with chain tensioner sprockets TN or R
- Dry self-lubricating bushings with standard PTFE
- The quote N is calculated thanks to pressure tests performed in a technical laboratory. The values shown have a tolerance of ± 5%
- On request available with stainless steel pins, springs, plugs and washers



| TYPE         | P. NUMBER SIMPLE | P. NUMBER DOUBLE | Newton | Step chain | TEETH | A  | B    | C  | D   | E min | E max | F   | G    | I    | L    | M    | N  | O    | P    | Q    | R   | WEIGHT Kg. |
|--------------|------------------|------------------|--------|------------|-------|----|------|----|-----|-------|-------|-----|------|------|------|------|----|------|------|------|-----|------------|
| ASR1-3/8"15  | 94021091         | 94021092         | 280    | 3/8x7/32"  | 15    | 50 | 23   | 61 | 74  | 105   | 129   | 6,5 | 10,5 | 20   | 12,5 | 22   | 20 | 11,5 | 11,7 | 16,5 | 6,5 | 0,45       |
| ASR1-1/2"15  | 94021121         | 94021122         | 280    | 1/2"x5/16" | 15    | 50 | 23   | 61 | 74  | 105   | 129   | 6,5 | 10,5 | 20   | 12,5 | 22   | 20 | 12,5 | 14,4 | 19,4 | 7,5 | 0,50       |
| ASR1-5/8"15  | 94021151         | 94021152         | 280    | 5/8"x3/8"  | 15    | 50 | 23   | 61 | 74  | 105   | 129   | 6,5 | 10,5 | 20   | 12,5 | 22   | 20 | 12,5 | 15,8 | 20,8 | 7,5 | 0,70       |
| ASR2-5/8"15  | 94022151         | 94022152         | 460    | 5/8"x3/8"  | 15    | 67 | 28   | 73 | 87  | 133   | 165   | 7   | 12,5 | 25   | 15   | 25,5 | 25 | 12,5 | 15,8 | 20,8 | 7,5 | 0,95       |
| ASR2-3/4"15  | 94022191         | 94022192         | 460    | 3/4"x7/16" | 15    | 67 | 28   | 73 | 87  | 133   | 165   | 7   | 12,5 | 25   | 15   | 25,5 | 25 | 13,5 | 18,2 | 23,2 | 8,5 | 1,15       |
| ASR3-1"12    | 94023251         | 94023252         | 690    | 1"x17 mm   | 12    | 80 | 32,5 | 88 | 104 | 154   | 195   | 8   | 14,5 | 29,5 | 17,5 | 28,5 | 30 | 16,2 | 26,8 | 31,7 | 11  | 1,75       |
| ASTN1-3/8"21 | 940210921        | -                | 280    | 3/8x7/32"  | 21    | 50 | 23   | 61 | 74  | 105   | 129   | 6,5 | 10,5 | 20   | 12,5 | 22   | 20 | 19,7 | -    | -    | 9,2 | 0,47       |
| ASTN1-1/2"16 | 940211216        | -                | 280    | 1/2"x5/16" | 16    | 50 | 23   | 61 | 74  | 105   | 129   | 6,5 | 10,5 | 20   | 12,5 | 22   | 20 | 19,7 | -    | -    | 9,2 | 0,49       |
| ASTN1-5/8"17 | 940211517        | -                | 280    | 5/8"x3/8"  | 17    | 50 | 23   | 61 | 74  | 105   | 129   | 6,5 | 10,5 | 20   | 12,5 | 22   | 20 | 19,7 | -    | -    | 9,2 | 0,68       |
| ASTN2-5/8"17 | 940221517        | -                | 460    | 5/8"x3/8"  | 17    | 67 | 28   | 73 | 87  | 133   | 165   | 7   | 12,5 | 25   | 15   | 25,5 | 25 | 19,7 | -    | -    | 9,2 | 1,04       |

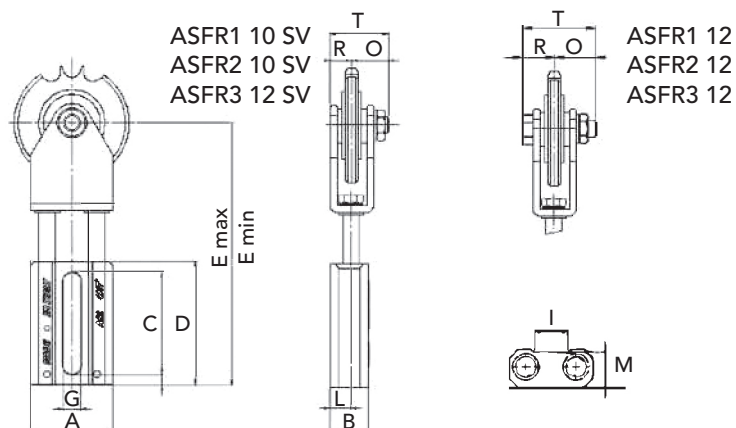


LINEAR CHAIN TENSIONER CHT - ASR CHT - ASTN





- Tensioner type ASFR with chain tensioner sprocket type TN
- Standard PTFE dry self-lubricating bushings
- On request available with stainless steel pins, springs, plugs and washers
- It is supplied with the TN sprocket set up screws and bolts
- Lack of encumbrance on the supporting plane for the type ASFR-SV supplied with screw with flared head



| TYPE        | P. NUMBER SIMPLE | Newton | A  | B    | C  | D   | E min | E max | F   | G    | I    | L    | M    | O    | R    | T  | WEIGHT Kg. |
|-------------|------------------|--------|----|------|----|-----|-------|-------|-----|------|------|------|------|------|------|----|------------|
| ASFR1 10 SV | 94ASFR1SV        | 240    | 50 | 23   | 61 | 74  | 128   | 157   | 6,5 | 10,5 | 20   | 12,5 | 22   | 22   | 13   | 35 | 0,39       |
| ASFR1 12    | 94ASFR112        | 240    | 50 | 23   | 61 | 74  | 128   | 157   | 6,5 | 10,5 | 20   | 12,5 | 22   | 27   | 21   | 48 | 0,39       |
| ASFR2 10 SV | 94ASFR2SV        | 420    | 67 | 28   | 73 | 87  | 157   | 193   | 7   | 12,5 | 25   | 15   | 25,5 | 22   | 13   | 35 | 0,63       |
| ASFR2 12    | 94ASFR212        | 420    | 67 | 28   | 73 | 87  | 157   | 193   | 7   | 12,5 | 25   | 15   | 25,5 | 27   | 21   | 48 | 0,63       |
| ASFR3 12 SV | 94ASFR3SV        | 650    | 80 | 32,5 | 88 | 104 | 181   | 222   | 8   | 14,5 | 29,5 | 17,5 | 28,5 | 28,7 | 16,3 | 45 | 1,07       |
| ASFR3 12    | 94ASFR312        | 650    | 80 | 32,5 | 88 | 104 | 181   | 222   | 8   | 14,5 | 29,5 | 17,5 | 28,5 | 26   | 26   | 52 | 1,07       |

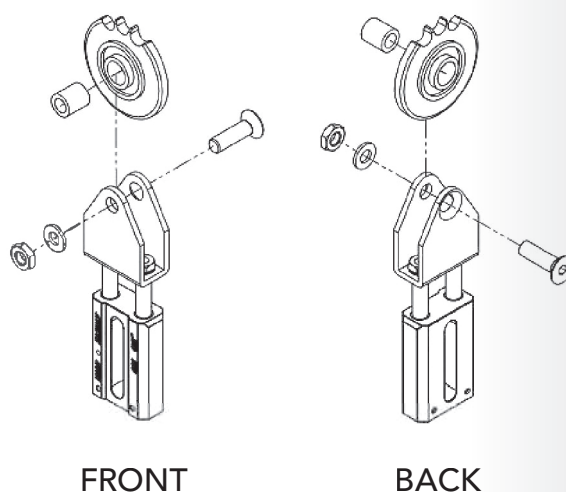
### TN chain tensioner sprockets available:

**ASFR1:** From Z23 chain pitch 8X3 to Z15 chain pitch 5/8" X 3/8" included

**ASFR2:** From Z14 chain pitch 5/8" x 3/8" to Z15 chain pitch 3/4" X 7/16" included

**ASFR3:** Z 12 chain pitch 1" x 17.02

Check TN list pag. 35



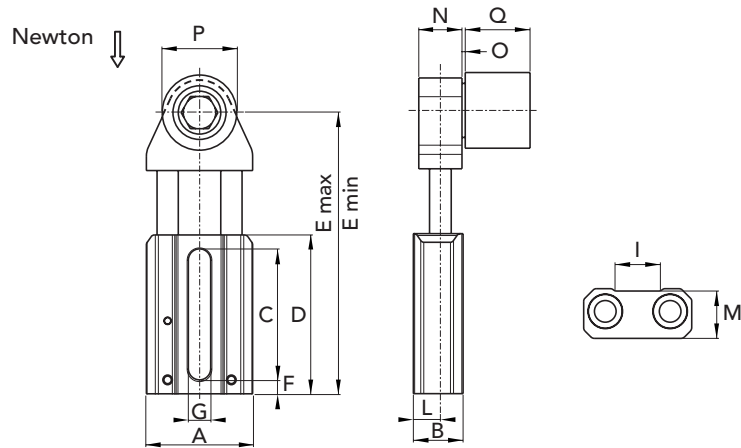
ASFR1 10 SV  
ASFR2 10 SV  
ASFR3 12 SV







- AS tensioner with roller belt-tensioner RU
- Dry self-lubricating bushings in standard PTFE
- The quote N is calculated thanks to pressure tests performed in a technical laboratory. The values shown have a tolerance of ± 5%
- On request available with stainless steel pins, springs, plugs and washers



| TYPE       | P. NUMBER ALUMINUM | P. NUMBER STAINLESS | P. NUMBER POLYAMIDE | Newton | A  | B    | C  | D   | E min | E max | F   | G    | I    | L    | M    | N  | O   | P  | Q  |
|------------|--------------------|---------------------|---------------------|--------|----|------|----|-----|-------|-------|-----|------|------|------|------|----|-----|----|----|
| ASRU1-3035 | 94021035           | 94021235            | 94021135            | 280    | 50 | 23   | 61 | 74  | 105   | 129   | 6,5 | 10,5 | 20   | 12,5 | 22   | 20 | 2,5 | 30 | 35 |
| ASRU1-4045 | 94021045           | 94021245            | 94021145            | 280    | 50 | 23   | 61 | 74  | 105   | 129   | 6,5 | 10,5 | 20   | 12,5 | 22   | 20 | 2,5 | 40 | 45 |
| ASRU1-5050 | 94021050           | 94021250            | 94021150            | 280    | 50 | 23   | 61 | 74  | 105   | 129   | 6,5 | 10,5 | 20   | 12,5 | 22   | 20 | 2,5 | 50 | 50 |
| ASRU2-5050 | 94022050           | 94022250            | 94022150            | 460    | 67 | 28   | 73 | 87  | 133   | 165   | 7   | 12,5 | 25   | 15   | 25,5 | 25 | 2,5 | 50 | 50 |
| ASRU3-5050 | 94023050           | 94023250            | 94023150            | 690    | 80 | 32,5 | 88 | 104 | 154   | 195   | 8   | 14,5 | 29,5 | 17,5 | 28,5 | 30 | 2,5 | 50 | 50 |
| ASRU3-6060 | 94023060           | 94023260            | 94023160            | 690    | 80 | 32,5 | 88 | 104 | 154   | 195   | 8   | 14,5 | 29,5 | 17,5 | 28,5 | 30 | 2,5 | 60 | 60 |

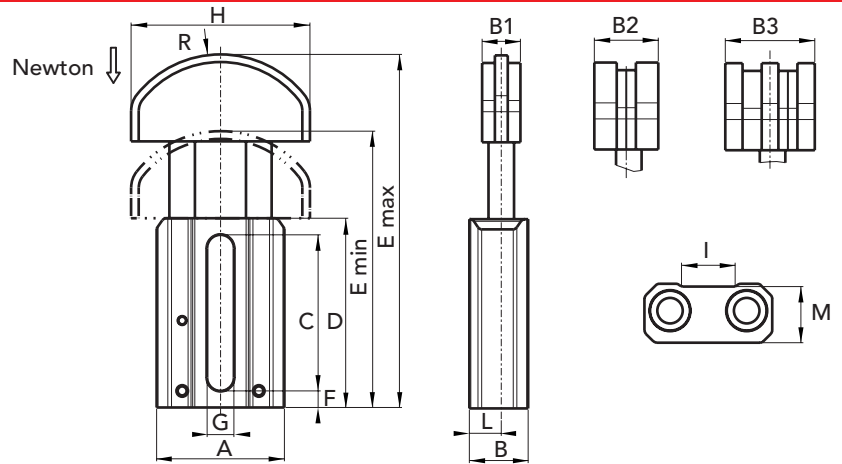
| TYPE       | WEIGHT kg. ALUMINUM | WEIGHT kg. STAINLESS | WEIGHT kg. POLYAMIDE |
|------------|---------------------|----------------------|----------------------|
| ASRU1-3035 | 0,35                | 0,40                 | 0,32                 |
| ASRU1-4045 | 0,46                | 0,59                 | 0,43                 |
| ASRU1-5050 | 0,55                | 0,86                 | 0,50                 |
| ASRU2-5050 | 0,81                | 1,13                 | 0,76                 |
| ASRU3-5050 | 1,18                | 1,48                 | 1,11                 |
| ASRU3-6060 | 1,34                | 1,95                 | 1,22                 |



ROLLER MATERIAL: POLYAMIDE (PA)  
ALUMINUM (AL)  
GALVANIZED STEEL (GS)



- Our tensioner type LP is a compact version that allows to use the same base for chain up to 24B3 changing only the springs and the sliding blocks.
- High molecular weight Polyethylene UHMW sliding blocks(1.000.000) Available on demand in other colours.
- Ellipse profile for a chain larger contact surface.
- Self-lubricating dry bushes with standard PTFE.
- Available with stainless steel springs, studs, plugs and washers.
- High resistance die-cast aluminium body.
- Supplied with closing caps in the bottom part of the tensioner.



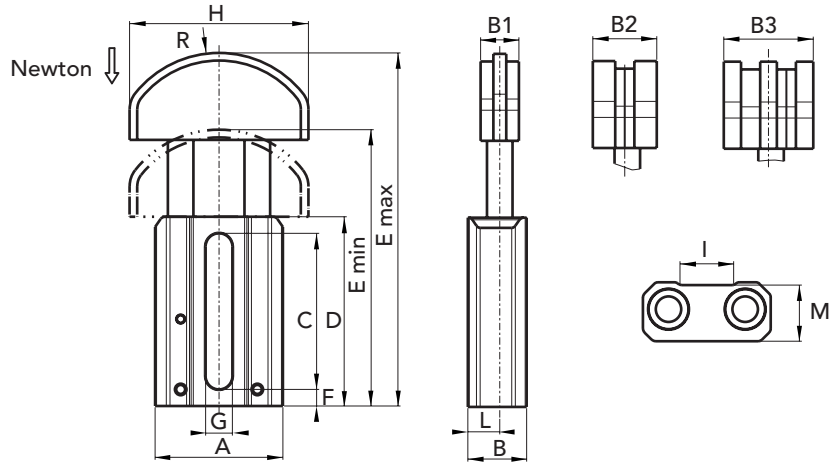
| TYPE       | P. NUMBER<br>SIMPLE | P. NUMBER<br>DOUBLE | P. NUMBER<br>TRIPLE | Newton | A  | B  | B1 | B2 | B3  | C  | D  | E   |     | F   | G    | H   | I           | L  | M    | R  | WEIGHT<br>Kg. |      |
|------------|---------------------|---------------------|---------------------|--------|----|----|----|----|-----|----|----|-----|-----|-----|------|-----|-------------|----|------|----|---------------|------|
|            |                     |                     |                     |        |    |    |    |    |     |    |    | min | max |     |      |     |             |    |      |    |               |      |
| LP 1 3/8"  | 94010901            | 94010902            | 94010903            | 240    | 50 | 23 | 20 | 20 | 25  | 61 | 74 | 114 | 138 | 6,5 | 10,5 | 68  | $^{0}_{-2}$ | 20 | 12,5 | 22 | 42            | 0,24 |
| LP 1 1/2"  | 94011201            | 94011202            | 94011203            | 240    | 50 | 23 | 20 | 20 | 35  | 61 | 74 | 114 | 138 | 6,5 | 10,5 | 68  | $^{0}_{+2}$ | 20 | 12,5 | 22 | 42            | 0,24 |
| LP 2 5/8"  | 94011501            | 94011502            | 94011503            | 350    | 50 | 23 | 20 | 25 | 40  | 61 | 74 | 120 | 142 | 6,5 | 12   | 85  | $^{0}_{+2}$ | 20 | 12,5 | 22 | 50            | 0,25 |
| LP 2 3/4"  | 94011901            | 94011902            | 94011903            | 350    | 50 | 23 | 20 | 30 | 49  | 61 | 74 | 120 | 142 | 6,5 | 12   | 85  | $^{0}_{+2}$ | 20 | 12,5 | 22 | 50            | 0,25 |
| LP 3 1"    | 94012501            | 94012502            | 94012503            | 450    | 50 | 23 | 20 | 45 | 78  | 61 | 74 | 118 | 148 | 6,5 | 12   | 100 | $^{0}_{+2}$ | 20 | 12,5 | 22 | 58            | 0,27 |
| LP 3 1"1/4 | 94013101            | 94013102            | 94013103            | 450    | 50 | 23 | 20 | 54 | 90  | 61 | 74 | 118 | 148 | 6,5 | 12   | 100 | $^{0}_{+2}$ | 20 | 12,5 | 22 | 58            | 0,27 |
| LP 3 1"1/2 | 94013801            | 94013802            | 94013803            | 450    | 50 | 23 | 20 | 70 | 119 | 61 | 74 | 118 | 148 | 6,5 | 12   | 100 | $^{0}_{+2}$ | 20 | 12,5 | 22 | 58            | 0,27 |







- Tensioner AS with sliding block chain tensioner in polyethylene UHMW high molecular mass (1.000.000) material
- Available on request in other colors
- Elliptical profile to increase contact surface
- Dry self-lubricating bushings in standard PTFE
- The quote N is calculated thanks to pressure tests performed in a technical laboratory. The values shown have a tolerance of ± 5%
- On request available with stainless steel pins, springs, plugs and washers



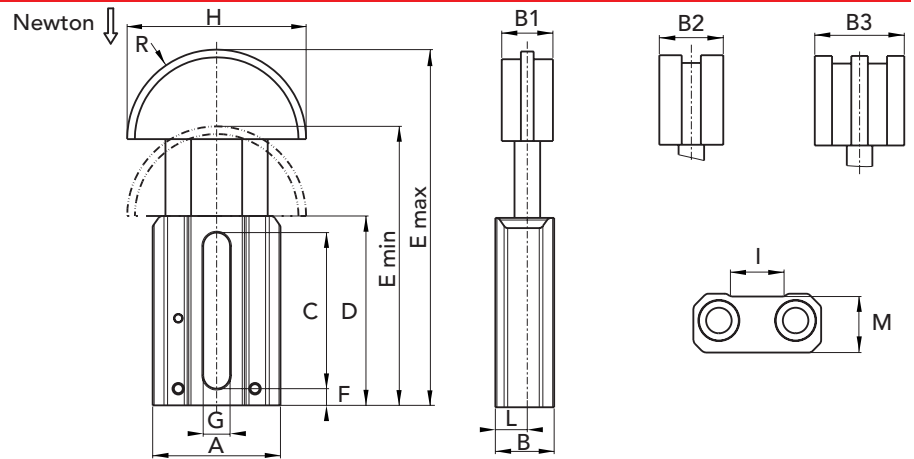
LINEAR CHAIN TENSIONER CHT - ASGE

| TYPE          | P. NUMBER<br>SIMPLE | P. NUMBER<br>DOUBLE | P. NUMBER<br>TRIPLE | Newton | Step<br>Chain | A  | B    | B1 | B2 | B3  | C  | D   | E   |     | G   | H    | I                               | L    | M    | R    | WEIGHT<br>Kg. |      |
|---------------|---------------------|---------------------|---------------------|--------|---------------|----|------|----|----|-----|----|-----|-----|-----|-----|------|---------------------------------|------|------|------|---------------|------|
|               |                     |                     |                     |        |               |    |      |    |    |     |    |     | min | max |     |      |                                 |      |      |      |               |      |
| ASGE1 - 3/8"  | 94000901N           | 94000902N           | 94000903N           | 280    | 3/8"x7/32"    | 50 | 23   | 20 | 20 | 25  | 61 | 74  | 114 | 138 | 6,5 | 10,5 | 68 <sup>+0</sup> <sub>-2</sub>  | 20   | 12,5 | 22   | 42            | 0,24 |
| ASGE1 - 1/2"  | 94001201N           | 94001202N           | 94001203N           | 280    | 1/2"x5/16"    | 50 | 23   | 20 | 20 | 35  | 61 | 74  | 114 | 138 | 6,5 | 10,5 | 68 <sup>+0</sup> <sub>-2</sub>  | 20   | 12,5 | 22   | 42            | 0,24 |
| ASGE1 - 5/8"  | 94001501N           | 94001502N           | 94001503N           | 280    | 5/8"x3/8"     | 50 | 23   | 20 | 25 | 40  | 61 | 74  | 114 | 138 | 6,5 | 10,5 | 68 <sup>+0</sup> <sub>-2</sub>  | 20   | 12,5 | 22   | 42            | 0,24 |
| ASGE2 - 5/8"  | 94001511N           | 94001512N           | 94001513N           | 460    | 5/8"x3/8"     | 67 | 28   | 20 | 25 | 40  | 73 | 87  | 138 | 170 | 7   | 12,5 | 88 <sup>+0</sup> <sub>-2</sub>  | 25   | 15   | 25,5 | 54            | 0,44 |
| ASGE2 - 3/4"  | 94001911N           | 94001912N           | 94001913N           | 460    | 3/4"x7/16"    | 67 | 28   | 20 | 30 | 49  | 73 | 87  | 138 | 170 | 7   | 12,5 | 88 <sup>+0</sup> <sub>-2</sub>  | 25   | 15   | 25,5 | 54            | 0,45 |
| ASGE2 - 1"    | 94002501N           | 94002502N           | -                   | 460    | 1"x17 mm      | 67 | 28   | 25 | 45 | -   | 73 | 87  | 138 | 170 | 7   | 12,5 | 88 <sup>+0</sup> <sub>-2</sub>  | 25   | 15   | 25,5 | 54            | 0,46 |
| ASGE3 - 1"    | 94002511N           | 94002512N           | 94002513N           | 690    | 1"x17 mm      | 80 | 32,5 | 25 | 45 | 78  | 88 | 104 | 166 | 202 | 8   | 14,5 | 108 <sup>+0</sup> <sub>-2</sub> | 29,5 | 17,5 | 28,5 | 66            | 0,75 |
| ASGE3 - 1"1/4 | 94003101N           | 94003102N           | 94003103N           | 690    | 1"1/4x3/4"    | 80 | 32,5 | 25 | 54 | 90  | 88 | 104 | 166 | 202 | 8   | 14,5 | 108 <sup>+0</sup> <sub>-2</sub> | 29,5 | 17,5 | 28,5 | 66            | 0,75 |
| ASGE3 - 1"1/2 | 94003801N           | 94003802N           | 94003803N           | 690    | 1"1/2x1"      | 80 | 32,5 | 25 | 71 | 119 | 88 | 104 | 166 | 202 | 8   | 14,5 | 108 <sup>+0</sup> <sub>-2</sub> | 29,5 | 17,5 | 28,5 | 66            | 0,75 |
| ASGE3 - 1"3/4 | 94004401N           | -                   | -                   | 690    | 1"3/4x1"1/4   | 80 | 32,5 | 30 | -  | -   | 88 | 104 | 166 | 202 | 8   | 14,5 | 108 <sup>+0</sup> <sub>-2</sub> | 29,5 | 17,5 | 28,5 | 66            | 0,80 |
| ASGE3 - 2"    | 94005001N           | -                   | -                   | 690    | 2"x1"1/4      | 80 | 32,5 | 30 | -  | -   | 88 | 104 | 166 | 202 | 8   | 14,5 | 108 <sup>+0</sup> <sub>-2</sub> | 29,5 | 17,5 | 28,5 | 66            | 0,80 |





- Tensioner AS with sliding block chain tensioner polyethylene UHMW high molecular mass (1.000.000) material
- Available on request in other colors
- Sliding block with semicircle profile
- Dry self-lubricating bushings with standard PTFE
- The quote N is calculated thanks to pressure tests performed in a technical laboratory. The values shown have a tolerance of  $\pm 5\%$
- On request available with stainless steel pin, springs, plugs and washer



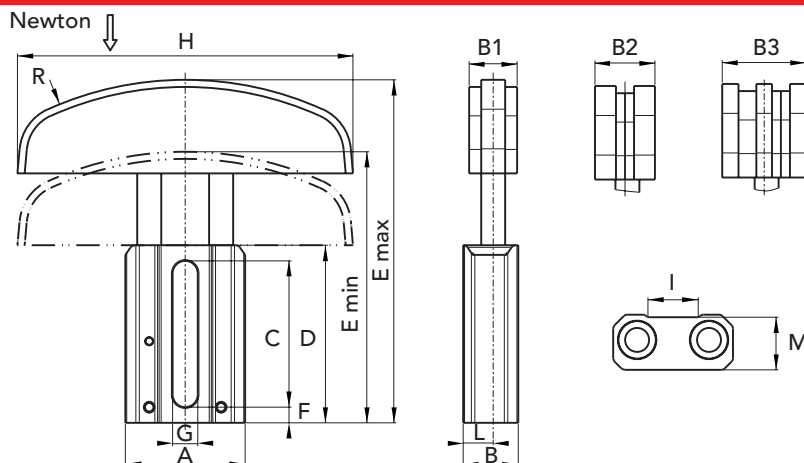
| TYPE          | P. NUMBER<br>SIMPLE | P. NUMBER<br>DOUBLE | P. NUMBER<br>TRIPLI | Newton | Step<br>Chain | A  | B    | B1 | B2 | B3  | C  | D   | E<br>min | E<br>max | F   | G    | H   | I    | L    | M    | R  | WEIGHT<br>Kg. |
|---------------|---------------------|---------------------|---------------------|--------|---------------|----|------|----|----|-----|----|-----|----------|----------|-----|------|-----|------|------|------|----|---------------|
| ASGO1 - 3/8"  | 94100901N           | 94100902N           | 94100903N           | 280    | 3/8x7/32"     | 50 | 23   | 20 | 20 | 25  | 61 | 74  | 114      | 138      | 6,5 | 10,5 | 70  | 20   | 12,5 | 22   | 35 | 0,24          |
| ASGO1 - 1/2"  | 94101201N           | 94101202N           | 94101203N           | 280    | 1/2"x5/16"    | 50 | 23   | 20 | 20 | 35  | 61 | 74  | 114      | 138      | 6,5 | 10,5 | 70  | 20   | 12,5 | 22   | 35 | 0,24          |
| ASGO1 - 5/8"  | 94101501N           | 94101502N           | 94101503N           | 280    | 5/8"x3/8"     | 50 | 23   | 20 | 25 | 40  | 61 | 74  | 114      | 138      | 6,5 | 10,5 | 70  | 20   | 12,5 | 22   | 35 | 0,24          |
| ASGO2 - 5/8"  | 94101511N           | 94101512N           | 94101513N           | 460    | 5/8"x3/8"     | 67 | 28   | 20 | 25 | 40  | 73 | 87  | 138      | 170      | 7   | 12,5 | 90  | 25   | 15   | 25,5 | 45 | 0,42          |
| ASGO2 - 3/4"  | 94101901N           | 94101902N           | 94101903N           | 460    | 3/4"x7/16"    | 67 | 28   | 20 | 30 | 49  | 73 | 87  | 138      | 170      | 7   | 12,5 | 90  | 25   | 15   | 25,5 | 45 | 0,42          |
| ASGO2 - 1"    | 94102501N           | 94102502N           | 94102503N           | 460    | 1"x17 mm      | 67 | 28   | 25 | 45 | -   | 73 | 87  | 138      | 170      | 7   | 12,5 | 90  | 25   | 15   | 25,5 | 45 | 0,42          |
| ASGO3 - 1"    | 94102511N           | 94102512N           | 94102513N           | 690    | 1"x17 mm      | 80 | 32,5 | 25 | 45 | 78  | 88 | 104 | 168      | 202      | 8   | 14,5 | 110 | 29,5 | 17,5 | 28,5 | 55 | 0,74          |
| ASGO3 - 1"1/4 | 94103101N           | 94103102N           | 94103103N           | 690    | 1"1/4x3/4"    | 80 | 32,5 | 25 | 54 | 90  | 88 | 104 | 168      | 202      | 8   | 14,5 | 110 | 29,5 | 17,5 | 28,5 | 55 | 0,74          |
| ASGO3 - 1"1/2 | 94103801N           | 94103802N           | 94103803N           | 690    | 1"1/2x1"      | 80 | 32,5 | 25 | 71 | 119 | 88 | 104 | 168      | 202      | 8   | 14,5 | 110 | 29,5 | 17,5 | 28,5 | 55 | 0,74          |
| ASGO3 - 1"3/4 | 94104401N           | -                   | -                   | 690    | 1"3/4x1"1/4   | 80 | 32,5 | 30 | -  | -   | 88 | 104 | 168      | 202      | 8   | 14,5 | 110 | 29,5 | 17,5 | 28,5 | 55 | 0,79          |
| ASGO3 - 2"    | 94105001N           | -                   | -                   | 690    | 2"x1"1/4      | 80 | 32,5 | 30 | -  | -   | 88 | 104 | 168      | 202      | 8   | 14,5 | 110 | 29,5 | 17,5 | 28,5 | 55 | 0,79          |







- Tensioner T with sliding block chain tensioner polyethylene UHMW high molecular mass (1.000.000) material Available in other colors
- Arch profile for long chain sections
- Dry self-lubricating bushings with standard PTFE
- The quote N is calculated thanks to pressure tests performed in a technical laboratory. The values shown have a tolerance of ± 5%
- On request available with stainless steel pins, springs, plugs and washers



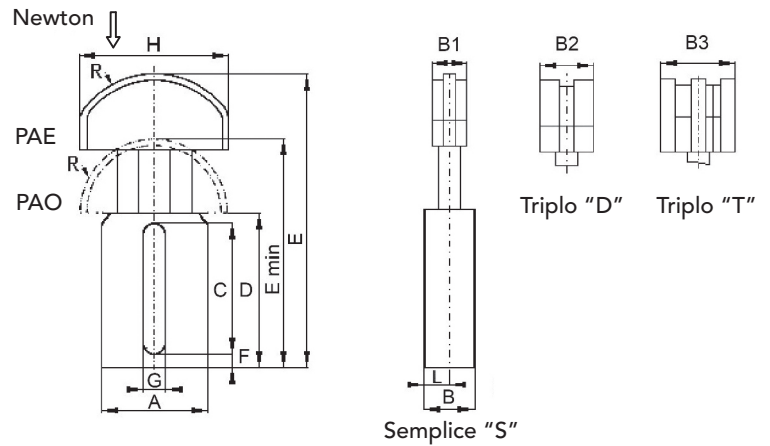
LINEAR CHAIN TENSIONER CHT - ASGA

| TYPE          | P. NUMBER SIMPLE | P. NUMBER DOUBLE | P. NUMBER TRIPLE | Newton | Step Chain  | A  | B    | B1 | B2 | B3  | C  | D   | E   |     | F   | G    | H   | I    | L    | M    | R   | WEIGHT Kg. |
|---------------|------------------|------------------|------------------|--------|-------------|----|------|----|----|-----|----|-----|-----|-----|-----|------|-----|------|------|------|-----|------------|
|               |                  |                  |                  |        |             |    |      |    |    |     |    |     | min | max |     |      |     |      |      |      |     |            |
| ASGA1 - 3/8"  | 94200901N        | 94200902N        | 94200903N        | 280    | 3/8x7/32"   | 50 | 23   | 20 | 20 | 25  | 61 | 74  | 119 | 143 | 6,5 | 10,5 | 140 | 20   | 12,5 | 22   | 120 | 0,26       |
| ASGA1 - 1/2"  | 94201201N        | 94201202N        | 94201203N        | 280    | 1/2"x5/16"  | 50 | 23   | 20 | 20 | 35  | 61 | 74  | 119 | 143 | 6,5 | 10,5 | 140 | 20   | 12,5 | 22   | 120 | 0,26       |
| ASGA1 - 5/8"  | 94201501N        | 94201502N        | 94201503N        | 280    | 5/8"x3/8"   | 50 | 23   | 20 | 25 | 40  | 61 | 74  | 119 | 143 | 6,5 | 10,5 | 140 | 20   | 12,5 | 22   | 120 | 0,26       |
| ASGA2 - 5/8"  | 94201511N        | 94201512N        | 94201513N        | 460    | 5/8"x3/8"   | 67 | 28   | 20 | 25 | 40  | 73 | 87  | 132 | 164 | 7   | 12,5 | 140 | 25   | 15   | 25,5 | 140 | 0,48       |
| ASGA2 - 3/4"  | 94201901N        | 94201902N        | 94201903N        | 460    | 3/4"xx7/16" | 67 | 28   | 20 | 30 | 49  | 73 | 87  | 132 | 164 | 7   | 12,5 | 140 | 25   | 15   | 25,5 | 140 | 0,50       |
| ASGA3 - 1"    | 94202511N        | 94202512N        | 94202513N        | 690    | 1"x17 mm    | 80 | 32,5 | 25 | 45 | 78  | 88 | 104 | 152 | 187 | 8   | 14,5 | 140 | 29,5 | 17,5 | 28,5 | 160 | 0,74       |
| ASGA3 - 1"1/4 | 94203101N        | 94203102N        | 94203103N        | 690    | 1"1/4x3/4"  | 80 | 32,5 | 25 | 54 | 90  | 88 | 104 | 152 | 187 | 8   | 14,5 | 140 | 29,5 | 17,5 | 28,5 | 160 | 0,74       |
| ASGA3 - 1"1/2 | 94203801N        | 94203802N        | 94203803N        | 690    | 1"1/2x1"    | 80 | 32,5 | 25 | 71 | 119 | 88 | 104 | 152 | 187 | 8   | 14,5 | 140 | 29,5 | 17,5 | 28,5 | 160 | 0,74       |
| ASGA3 - 1"3/4 | 94204401N        | -                | -                | 690    | 1"3/4x1"1/4 | 80 | 32,5 | 30 | -  | -   | 88 | 104 | 152 | 187 | 8   | 14,5 | 140 | 29,5 | 17,5 | 28,5 | 160 | 0,79       |
| ASGA3 - 2"    | 94205001N        | -                | -                | 690    | 2"x1"1/4    | 80 | 32,5 | 30 | -  | -   | 88 | 104 | 152 | 187 | 8   | 14,5 | 140 | 29,5 | 17,5 | 28,5 | 160 | 0,79       |





- Tensioner element CHT-PA with high molecular mass polyethylene sliding block set up on the body pins
- Sliding block available in other colours
- Material of the body polyamide 66 FV 50
- Available on demand with stainless steel pins, springs, plugs and washers (PA1 SS).



| TYPE  | P. NUMBER SIMPLE | P. NUMBER DOUBLE | P. NUMBER TRIPLE | Step chain | Newton | A  | B  | C  | D  | E   | E min | F | G   | H  | L    | B1 | B2 | B3   | R  | Weight Kg. |
|-------|------------------|------------------|------------------|------------|--------|----|----|----|----|-----|-------|---|-----|----|------|----|----|------|----|------------|
| PAE 1 | 94PAE138S        | 94PAE138D        | 94PAE138T        | 3/8"       | 210    | 60 | 25 | 56 | 76 | 140 | 110   | 4 | 8,5 | 70 | 12,5 | 20 | 20 | 25   | 42 | 0,21       |
| PAO 1 | 94PAO138S        | 94PAO138D        | 94PAO138T        | 3/8"       | 210    | 60 | 25 | 56 | 76 | 140 | 110   | 4 | 8,5 | 70 | 12,5 | 20 | 20 | 26   | 35 | 0,21       |
| PAE 1 | 94PAE112S        | 94PAE112D        | 94PAE112T        | 1/2"       | 210    | 60 | 25 | 56 | 76 | 140 | 110   | 4 | 8,5 | 70 | 12,5 | 20 | 20 | 35   | 42 | 0,21       |
| PAO 1 | 94PAO112S        | 94PAO112D        | 94PAO112T        | 1/2"       | 210    | 60 | 25 | 56 | 76 | 140 | 110   | 4 | 8,5 | 70 | 12,5 | 20 | 20 | 34,5 | 35 | 0,21       |
| PAE 1 | 94PAE158S        | 94PAE158D        | 94PAE158T        | 5/8"       | 210    | 60 | 25 | 56 | 76 | 140 | 110   | 4 | 8,5 | 70 | 12,5 | 20 | 25 | 40   | 50 | 0,21       |
| PAO 1 | 94PAO158S        | 94PAO158D        | 94PAO158T        | 5/8"       | 210    | 60 | 25 | 56 | 76 | 140 | 110   | 4 | 8,5 | 70 | 12,5 | 20 | 25 | 41,5 | 35 | 0,21       |







# ROTATING TENSIONER BRAND CHT®



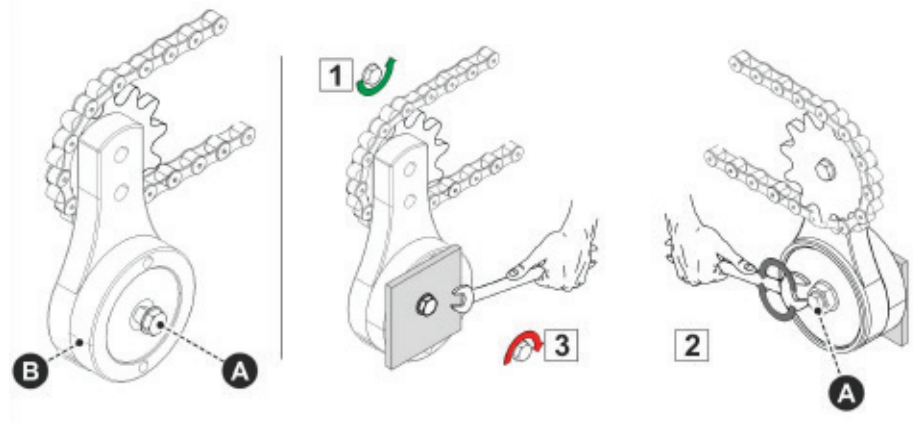


## TYPE T

- 1) Loosen slightly fixing screw "A", that can be fixed on both sides.
- 2) Rotate the tensioner "B" in the desired direction with a spanner of 24 mm, situated on the central hexagon.
- 3) Stop the screw "A".

### NOTE

In case of irregular surfaces or heavy applications, it is advisable to use an any rotation pin, to be inserted in one of the two hollows present on the back side of the tensioner base.







The automatic tensioners series **CHT-T** and their relating variants (that you can find in the following pages) keep constant tension of the chains or belts constantly tensioned.

The two structural body parts are die-cast high-tensile aluminum beads pointed of black, by means of the cataphoresis process.

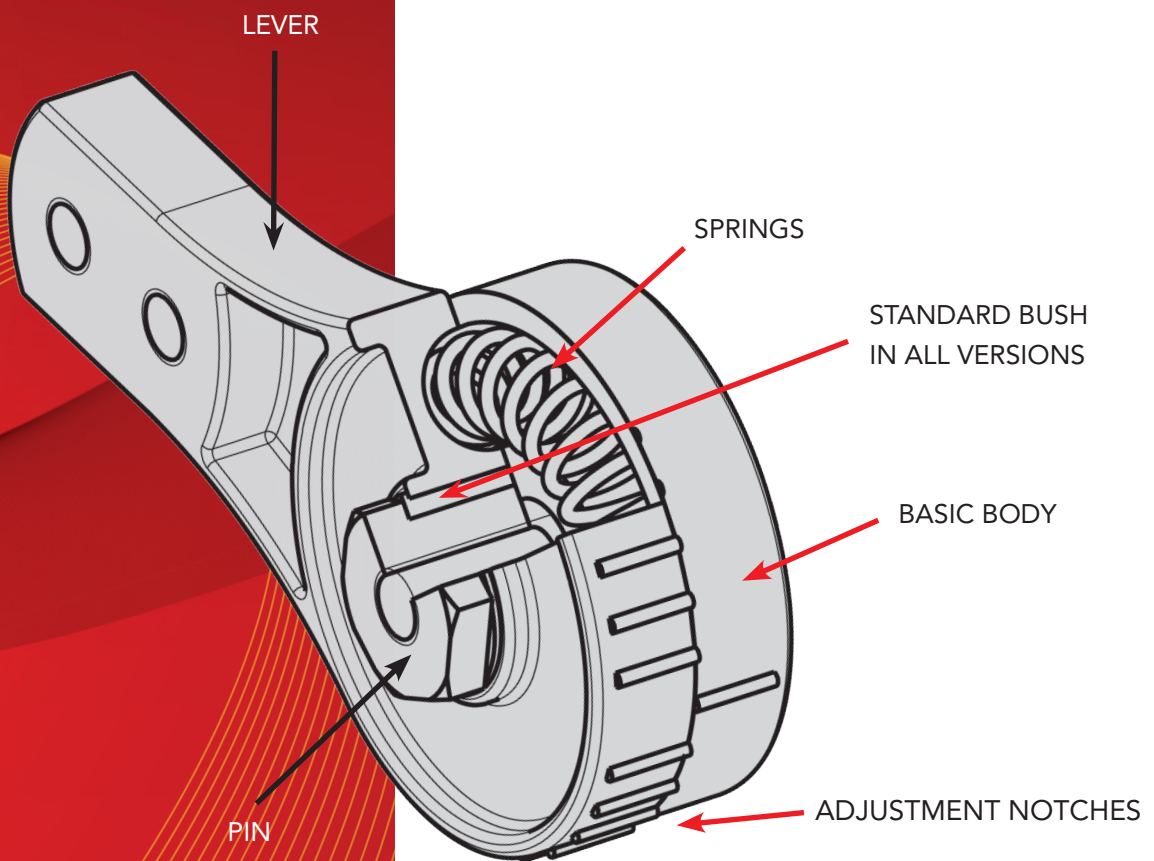
The bronze self-lubricating bushings, standard sintered, on all sizes versions, provide perfect surfaces for the lever movement around the pin, without wear points.

Flexible items and springs elements in steel league provide a constant tension. The springs are lubricated with grease to assure duration and silent operations.

Simple assembling through a single screw, that can be assembled on both sides.

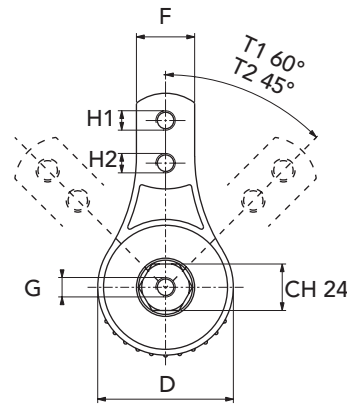
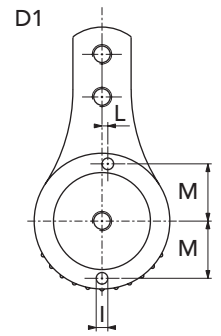
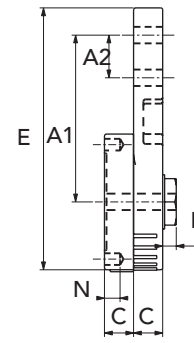
Frame adjustment provided for an easy and fast tension adjustment, by means of holes.

The body frame is provided with arm and two adjustments holes for a wide tension.

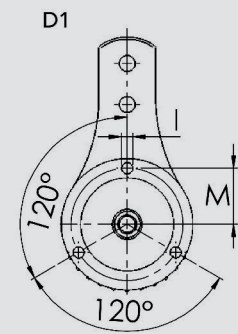
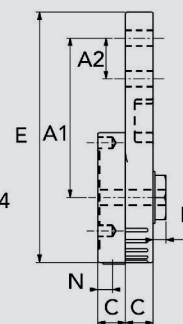
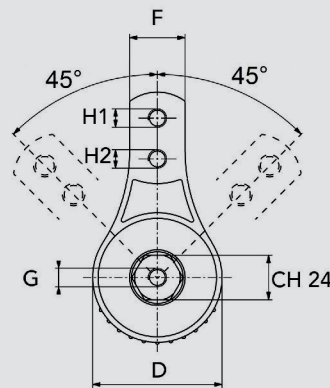




- Tensioner mod. T with two holes for the accessories fixing
- Bronze self-lubricating sintered bushings
- On request available with stainless steel pin and springs


**VERSION T1**


| TYPE    | P. NUMBER | Newton<br>H1 | Newton<br>H2 | A1  | A2 | B | C  | D  | E   | F  | G   | H1   | H2   | I | L | M    | N  | WEIGHT<br>Kg. |
|---------|-----------|--------------|--------------|-----|----|---|----|----|-----|----|-----|------|------|---|---|------|----|---------------|
| T1 8.5  | 94030108N | 180          | 250          | 86  | 22 | 7 | 15 | 70 | 135 | 30 | M10 | 8,5  | 8,5  | 6 | 3 | 29,5 | 8  | 0,36          |
| T1 10   | 94030110N | 180          | 250          | 86  | 22 | 7 | 15 | 70 | 135 | 30 | M10 | M10  | M10  | 6 | 3 | 29,5 | 8  | 0,36          |
| T1 10.5 | 94030111N | 180          | 250          | 86  | 22 | 7 | 15 | 70 | 135 | 30 | M10 | 10,5 | 10,5 | 6 | 3 | 29,5 | 8  | 0,36          |
| T1 12   | 94030112N | 180          | 250          | 86  | 22 | 7 | 15 | 70 | 135 | 30 | M10 | M12  | M12  | 6 | 3 | 29,5 | 8  | 0,34          |
| T1 16   | 94030116N | 180          | 250          | 86  | 22 | 7 | 15 | 70 | 135 | 30 | M10 | M16  | M16  | 6 | 3 | 29,5 | 8  | 0,30          |
| T2 8.5  | 94030208N | 340          | 440          | 100 | 22 | 7 | 18 | 90 | 160 | 35 | M12 | 8,5  | 8,5  | 8 | - | 37,5 | 10 | 0,62          |
| T2 10.5 | 94030211N | 340          | 440          | 100 | 22 | 7 | 18 | 90 | 160 | 35 | M12 | 10,5 | 10,5 | 8 | - | 37,5 | 10 | 0,62          |
| T2 12   | 94030212N | 340          | 440          | 100 | 22 | 7 | 18 | 90 | 160 | 35 | M12 | M12  | M12  | 8 | - | 37,5 | 10 | 0,62          |
| T2 16   | 94030216N | 340          | 440          | 100 | 22 | 7 | 18 | 90 | 160 | 35 | M12 | M16  | M16  | 8 | - | 37,5 | 10 | 0,60          |
| T2 20   | 94030220N | 340          | 440          | 100 | 22 | 7 | 18 | 90 | 160 | 35 | M12 | M20  | M20  | 8 | - | 37,5 | 10 | 0,58          |

**VERSION T2**




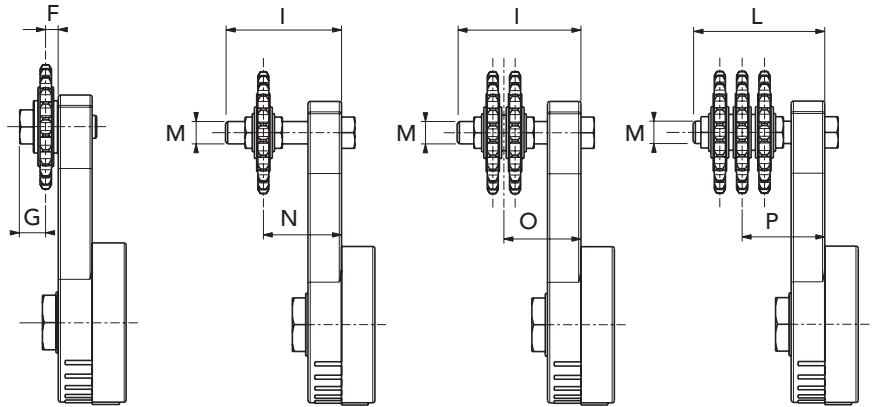


**Chain Tensioner CHT - TTN**

- Tensioner mod. T with sprocket chain tensioner TN (simple)
- Bronze self-lubricating sintered bushings
- On request version with stainless steel pin and springs

**Chain Tensioner CHT - TR**

- Tensioner T with sprocket chain tensioner R (simple, duplex, triplex)
- Standard sintered bronze self-lubricating bushings
- On request available with stainless steel pin and springs



CHT - TTN

CHT - TR Simple

CHT - TR Double B2

CHT - TR Triple B3

**CHT - TTN**

| TYPE     | P. NUMBER | STEP CHAIN  | Z<br>TEETH | F   | G    | M   | WEIGHT<br>Kg. |
|----------|-----------|-------------|------------|-----|------|-----|---------------|
| TTN1-3/8 | 94030921  | 3/8"X 7/32" | 21         | 9,2 | 19,2 | M12 | 0,55          |
| TTN1-1/2 | 94031216  | 1/2"X5/16"  | 16         | 9,2 | 19,2 | M12 | 0,57          |
| TTN1-5/8 | 94031517  | 5/8"X3/8"   | 17         | 9,2 | 19,2 | M12 | 0,76          |
| TTN2-5/8 | 94031518  | 5/8"X3/8"   | 17         | 9,2 | 19,2 | M12 | 1,04          |
| TTN2-3/4 | 94031915  | 3/4"X7/16"  | 15         | 9,2 | 19,2 | M12 | 1,15          |
| TTN2-1   | 94032512  | 1"X17mm     | 12         | 8,9 | 19   | M12 | 1,45          |

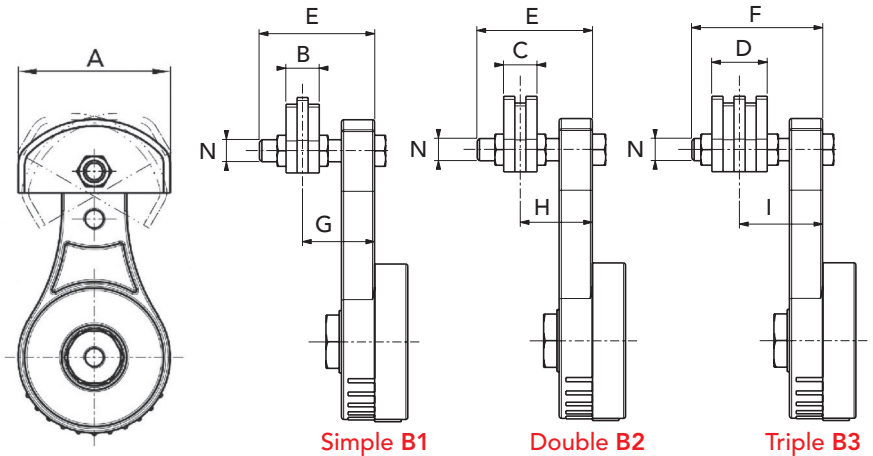
**CHT - TR**

| TYPE    | P. NUMBER<br>SIMPLE | P. NUMBER<br>DOUBLE | P. NUMBER<br>TRIPLE | STEP<br>CHAIN | Z<br>TEETH | I   | L   | M   | N     | O     | P     | WEIGHT<br>Kg. |
|---------|---------------------|---------------------|---------------------|---------------|------------|-----|-----|-----|-------|-------|-------|---------------|
| TR1-3/8 | 94030901            | 94030902            | 94030903            | 3/8"X 7/32"   | 15         | 60  | 80  | M10 | 40-63 | 48-57 | 53-72 | 0,50          |
| TR1-1/2 | 94031201            | 94031202            | 94031203            | 1/2"X5/16"    | 15         | 60  | 80  | M12 | 40-63 | 50-55 | 57-68 | 0,55          |
| TR1-5/8 | 94031501            | 94031502            | 94031503            | 5/8"X3/8"     | 15         | 80  | 80  | M12 | 40-80 | 54-71 | 60-65 | 0,70          |
| TR2-5/8 | 94031511            | 94031512            | 94031513            | 5/8"X3/8"     | 15         | 80  | 80  | M12 | 46-84 | 59-82 | 68-84 | 0,97          |
| TR2-3/4 | 94031901            | 94031902            | 94031903            | 3/4"X7/16"    | 15         | 80  | 100 | M12 | 46-84 | 59-82 | 68-84 | 1,25          |
| TR2-1   | 94032501            | 94032502            | -                   | 1"X17mm       | 12         | 100 | -   | M12 | 51-98 | 65-98 | -     | 1,55          |




**Chain Tensioner CHT - TGE**

- Tensioner mod. T with sliding block chain tensioner in polyethylene UHMW high molecular mass (1.000.000) material Available in other colors
- Provided with bushing kit that allow the free movement of the sliding block
- Standard sintered bronze self-lubricating bushings
- On request available with stainless steel pin and springs



Simple B1

Double B2

Triple B3

| TYPE     | P. NUMBER<br>SIMPLE | P. NUMBER<br>DOUBLE | P. NUMBER<br>TRIPLE | STEP<br>CHAIN | A                                 | B  | C  | D  | E   | F   | G      | H     | I     | N   | WEIGHT<br>Kg. |
|----------|---------------------|---------------------|---------------------|---------------|-----------------------------------|----|----|----|-----|-----|--------|-------|-------|-----|---------------|
| TGE1-3/8 | 94030901P           | 94030902P           | 94030903P           | 3/8"x 7/32"   | 68 <sup>-0</sup> / <sub>+2</sub>  | 20 | 20 | 25 | 60  | 80  | 40-58  | 40-58 | 43-75 | M12 | 0,47          |
| TGE1-1/2 | 94031201P           | 94031202P           | 94031203P           | 1/2"x5/16"    | 68 <sup>-0</sup> / <sub>+2</sub>  | 20 | 20 | 35 | 60  | 80  | 40-58  | 40-58 | 48-70 | M12 | 0,47          |
| TGE1-5/8 | 94031501P           | 94031502P           | 94031503P           | 5/8"x3/8"     | 88 <sup>-0</sup> / <sub>+2</sub>  | 20 | 25 | 40 | 80  | 80  | 40-78  | 43-75 | 50-68 | M12 | 0,47          |
| TGE2-5/8 | 94031511P           | 94031512P           | 94031513P           | 5/8"x3/8"     | 88 <sup>-0</sup> / <sub>+2</sub>  | 20 | 25 | 40 | 80  | 80  | 46-81  | 49-78 | 57-90 | M12 | 0,76          |
| TGE2-3/4 | 94031901P           | 94031902P           | 94031903P           | 3/4"x7/16"    | 108 <sup>-0</sup> / <sub>+2</sub> | 20 | 30 | 49 | 80  | 100 | 46-81  | 51-76 | 61-86 | M12 | 0,76          |
| TGE2-1   | 94032501P           | 94032502P           | 94032503P           | 1"x17mm       | 108 <sup>-0</sup> / <sub>+2</sub> | 25 | 45 | -  | 100 | -   | 46-100 | 59-88 | -     | M12 | 0,76          |

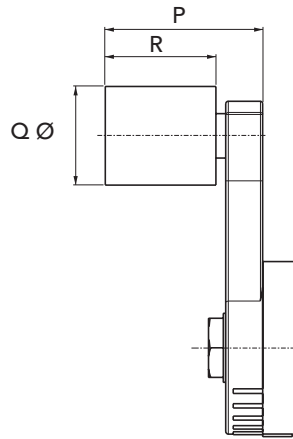
See sliding block on page 32





### Rotating Belt Tensioner CHT-TRU

- Tensioner mod. T with chain tensioner roller RU
- Bronze self-lubricating sintered bushings
- On request available with stainless steel pin and springs



ROTATING BELT TENSIONER CHT-TRU

| TYPE        | P. NUMBER<br>STAINLESS | P. NUMBER<br>ALUMINUM | P. NUMBER<br>POLYAMIDE | P  | Q Ø | R  | WEIGHT Kg.<br>STAINLESS | WEIGHT Kg.<br>AL. | WEIGHT Kg.<br>PA |
|-------------|------------------------|-----------------------|------------------------|----|-----|----|-------------------------|-------------------|------------------|
| TRU1 - 3035 | 94031235               | 94031035              | 94031135               | 53 | 30  | 35 | 0,51                    | 0,45              | 0,43             |
| TRU1 - 4045 | 94031245               | 94031045              | 94031145               | 66 | 40  | 45 | 0,70                    | 0,57              | 0,53             |
| TRU1 - 5050 | 94031250               | 94031050              | 94031150               | 67 | 50  | 50 | 0,97                    | 0,65              | 0,59             |
| TRU2 - 5050 | 94032250               | 94032050              | 94032150               | 70 | 50  | 50 | 1,22                    | 0,90              | 0,84             |
| TRU2 - 6060 | 94032260               | 94032060              | 94032160               | 80 | 60  | 60 | 1,69                    | 1,06              | 0,94             |







# ROTATING TENSIONER BRAND CHT®



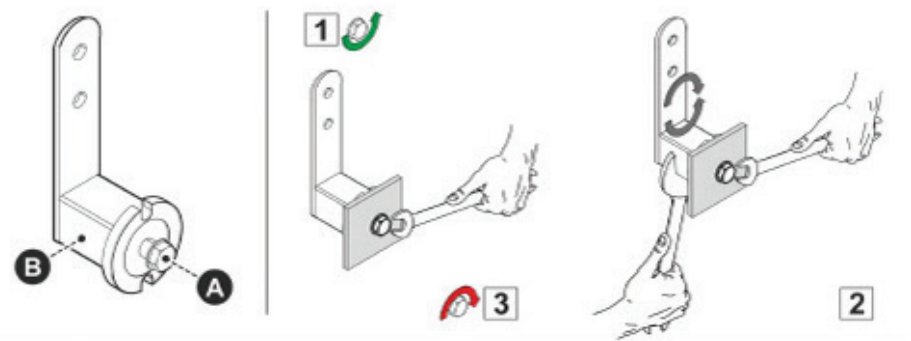


## TYPE E

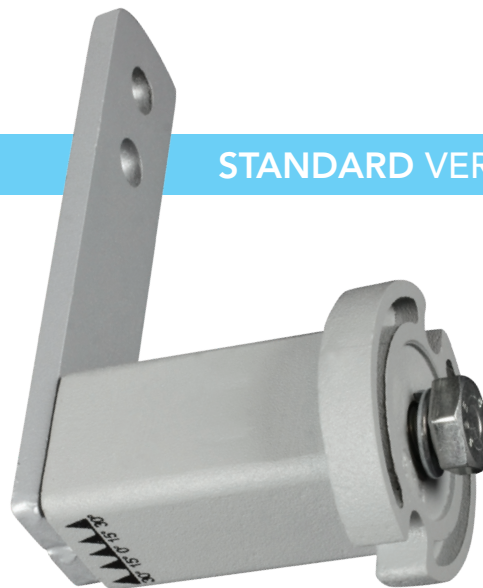
- 1) Loosen the fixing screw "A" slightly with the first spanner.
- 2) Rotate the tensioner "B" in the desired direction with a second spanner, placed on basic body square
- 3) Tighten the screw "A".

### NOTE

In case of irregular surfaces or heavy applications, it is advisable to use two securing screws, to avoid the tensioner rotation.



## STANDARD VERSION



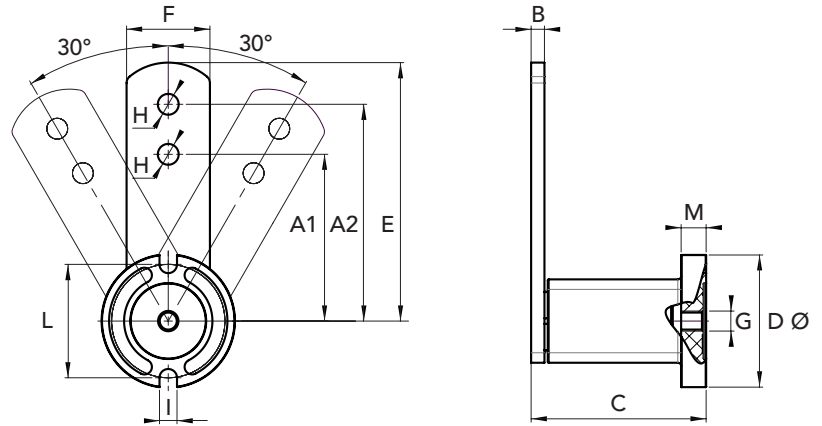
**ON DEMAND**  
AVAILABLE WITH FRONT SET UP



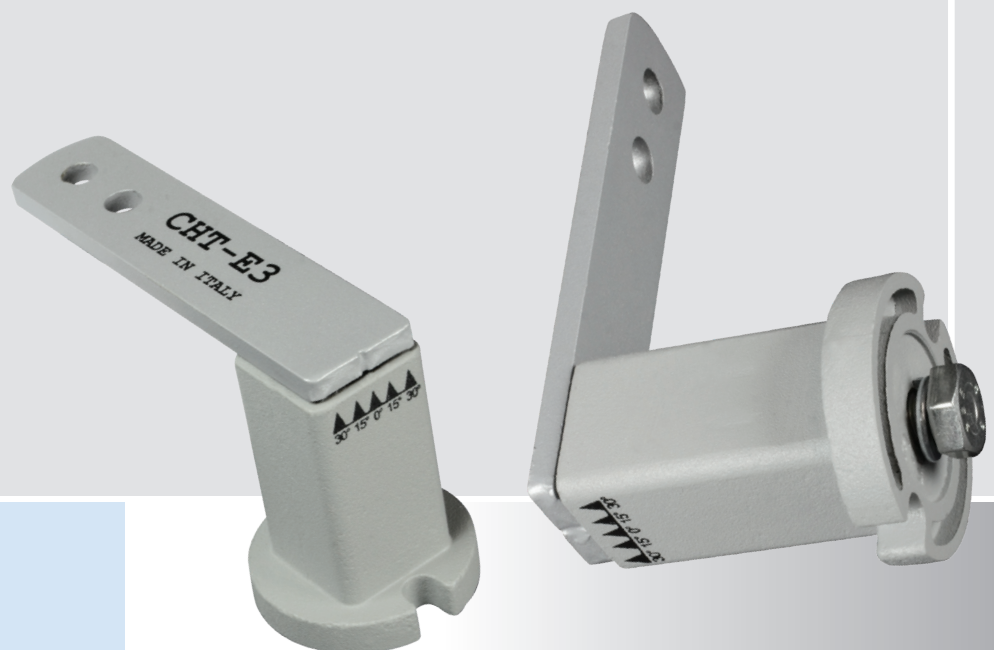


- Tensioner E with two holes for fixing accessories
- Flexible rubber items
- Supplied with set up bolts

**\* ON DEMAND  
AVAILABLE WITH FRONT SET UP**



| TYPE | P. NUMBER  | Newton A2 | Newton A1 | A1  | A2  | B  | C   | D Ø | E     | F  | G   | H    | I  | L   | M  | WEIGHT Kg. |
|------|------------|-----------|-----------|-----|-----|----|-----|-----|-------|----|-----|------|----|-----|----|------------|
| E 1  | 94070001   | 0 - 90    | 0 - 110   | 60  | 80  | 5  | 50  | 35  | 90    | 20 | M6  | 8,5  | 7  | 31  | 6  | 0,18       |
| E 2  | 94070002   | 0 - 130   | 0 - 160   | 80  | 100 | 5  | 63  | 45  | 112,5 | 30 | M8  | 10,5 | 9  | 41  | 8  | 0,35       |
| E 3  | 94070003   | 0 - 330   | 0 - 410   | 80  | 100 | 6  | 77  | 59  | 115   | 35 | M10 | 10,5 | 9  | 48  | 10 | 0,60       |
| E 4  | 94070004   | 0 - 800   | 0 - 1000  | 100 | 130 | 8  | 107 | 79  | 155   | 50 | M12 | 12,5 | 11 | 63  | 15 | 1,90       |
| E 5  | 94070005   | 0 - 1500  | 0 - 1850  | 140 | 175 | 10 | 139 | 98  | 205   | 60 | M16 | 20,5 | 13 | 84  | 15 | 3,80       |
| E 6  | 94070006   | 0 - 2500  | 0 - 3100  | 180 | 225 | 12 | 199 | 118 | 260   | 70 | M20 | 20,5 | 13 | 100 | 18 | 6,50       |
| E 7  | 94070007   | 0 - 3800  | 0 - 4800  | 200 | 250 | 20 | 210 | 128 | 290   | 80 | M24 | 20,5 | 17 | 107 | 20 | 9,00       |
| E 1  | 94070001MF | 0 - 90    | 0 - 110   | 60  | 80  | 5  | 50  | 35  | 90    | 20 | M6  | 8,5  | 7  | 31  | 6  | 0,18       |
| E 2  | 94070002MF | 0 - 130   | 0 - 160   | 80  | 100 | 5  | 63  | 45  | 112,5 | 30 | M8  | 10,5 | 9  | 41  | 8  | 0,35       |
| E 3  | 94070003MF | 0 - 330   | 0 - 410   | 80  | 100 | 6  | 77  | 59  | 115   | 35 | M10 | 10,5 | 9  | 48  | 10 | 0,60       |
| E 4  | 94070004MF | 0 - 800   | 0 - 1000  | 100 | 130 | 8  | 107 | 79  | 155   | 50 | M12 | 12,5 | 11 | 63  | 15 | 1,90       |
| E 5  | 94070005MF | 0 - 1500  | 0 - 1850  | 140 | 175 | 10 | 139 | 98  | 205   | 60 | M16 | 20,5 | 13 | 84  | 15 | 3,80       |
| E 6  | 94070006MF | 0 - 2500  | 0 - 3100  | 180 | 225 | 12 | 199 | 118 | 260   | 70 | M20 | 20,5 | 13 | 100 | 18 | 6,50       |
| E 7  | 94070007MF | 0 - 3800  | 0 - 4800  | 200 | 250 | 20 | 210 | 128 | 290   | 80 | M24 | 20,5 | 17 | 107 | 20 | 9,00       |

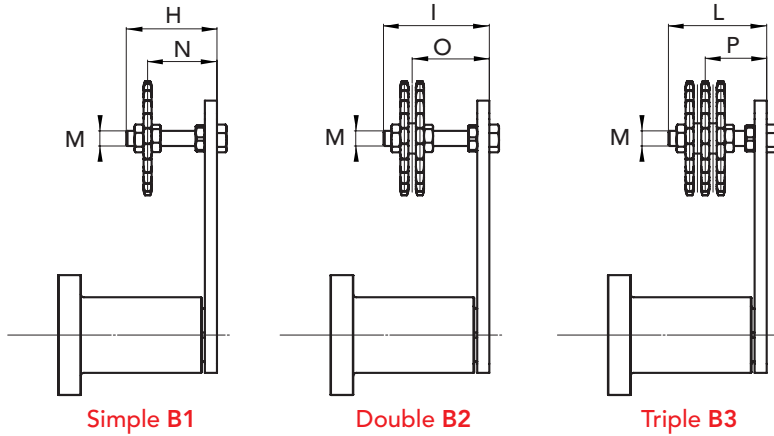






- Tensioner E with chain tensioner sprocket R (simple, double, triple)
- Flexible rubber items
- Supplied with set up bolts

**\* ON DEMAND  
AVAILABLE WITH FRONT SET UP**



Simple B1

Double B2

Triple B3

| TYPE         | P. NUMBER<br>SIMPLE | P. NUMBER<br>DOUBLE | P. NUMBER<br>TRIPLE | Step<br>Chain | H   | I   | L   | M   | N      | O      | P      | WEIGHT<br>Kg. |
|--------------|---------------------|---------------------|---------------------|---------------|-----|-----|-----|-----|--------|--------|--------|---------------|
| ER 2 - 3/8   | 94070921            | 94070922            | -                   | 3/8x7/32"     | 55  | 55  | -   | M10 | 22-43  | 27-39  | -      | 0,48          |
| ER 3 - 3/8   | 94070931            | 94070932            | 94070933            | 3/8x7/32"     | 55  | 60  | 70  | M10 | 23-43  | 28-39  | 33-48  | 0,73          |
| ER 3 - 1/2   | 94071231            | 94071232            | -                   | 1/2"x5/16"    | 55  | 60  | -   | M10 | 23-44  | 30-37  | -      | 0,81          |
| ER 4 - 1/2   | -                   | -                   | 94071243            | 1/2"x5/16"    | -   | -   | 80  | M12 | -      | -      | 41-51  | 2,50          |
| ER 4 - 5/8   | 94071541            | 94071542            | 94071543            | 5/8"x3/8"     | 80  | 80  | 80  | M12 | 27-65  | 36-57  | 43-50  | 2,28          |
| ER 4 - 3/4   | 94071941            | 94071942            | -                   | 3/4"x7/16"    | 80  | 80  | -   | M12 | 27-65  | 37-56  | -      | 2,46          |
| ER 5 - 5/8   | -                   | -                   | 94071553            | 5/8"x3/8"     | -   | -   | 120 | M20 | -      | -      | 56-84  | 5,00          |
| ER 5 - 3/4   | 94071951            | 94071952            | 94071953            | 3/4"x7/16"    | 100 | 120 | 120 | M20 | 40-80  | 50-90  | 59-80  | 4,61          |
| ER 5 - 1     | 94072551            | 94072552            | -                   | 1"x17 mm      | 100 | 120 | -   | M20 | 40-80  | 55-84  | -      | 5,43          |
| ER 6 - 1     | -                   | -                   | 94072563            | 1"x17 mm      | -   | -   | 160 | M20 | -      | -      | 74-108 | 9,50          |
| ER 6 - 1 1/4 | 94073161            | 94073162            | 94073163            | 1"1/4x3/4"    | 100 | 140 | 160 | M20 | 40-80  | 60-120 | 78-105 | 9,28          |
| ER 6 - 1 1/2 | 94073861            | 94073862            | 94073863            | 1"1/2x1"      | 140 | 140 | 180 | M20 | 40-120 | 65-97  | 90-111 | 9,33          |
| ER 2 - 3/8   | 94070921MF          | 94070922MF          | -                   | 3/8x7/32"     | 55  | 55  | -   | M10 | 22-43  | 27-39  | -      | 0,48          |
| ER 3 - 3/8   | 94070931MF          | 94070932MF          | 94070933MF          | 3/8x7/32"     | 55  | 60  | 70  | M10 | 23-43  | 28-39  | 33-48  | 0,73          |
| ER 3 - 1/2   | 94071231MF          | 94071232MF          | -                   | 1/2"x5/16"    | 55  | 60  | -   | M10 | 23-44  | 30-37  | -      | 0,81          |
| ER 4 - 1/2   | -                   | -                   | 94071243MF          | 1/2"x5/16"    | -   | -   | 80  | M12 | -      | -      | 41-51  | 2,50          |
| ER 4 - 5/8   | 94071541MF          | 94071542MF          | 94071543MF          | 5/8"x3/8"     | 80  | 80  | 80  | M12 | 27-65  | 36-57  | 43-50  | 2,28          |
| ER 4 - 3/4   | 94071941MF          | 94071942MF          | -                   | 3/4"x7/16"    | 80  | 80  | -   | M12 | 27-65  | 37-56  | -      | 2,46          |
| ER 5 - 5/8   | -                   | -                   | 94071553MF          | 5/8"x3/8"     | -   | -   | 120 | M20 | -      | -      | 56-84  | 5,00          |
| ER 5 - 3/4   | 94071951MF          | 94071952MF          | 94071953MF          | 3/4"x7/16"    | 100 | 120 | 120 | M20 | 40-80  | 50-90  | 59-80  | 4,61          |
| ER 5 - 1     | 94072551MF          | 94072552MF          | -                   | 1"x17 mm      | 100 | 120 | -   | M20 | 40-80  | 55-84  | -      | 5,43          |
| ER 6 - 1     | -                   | -                   | 94072563MF          | 1"x17 mm      | -   | -   | 160 | M20 | -      | -      | 74-108 | 9,50          |
| ER 6 - 1 1/4 | 94073161MF          | 94073162MF          | 94073163MF          | 1"1/4x3/4"    | 100 | 140 | 160 | M20 | 40-80  | 60-120 | 78-105 | 9,28          |
| ER 6 - 1 1/2 | 94073861MF          | 94073862MF          | 94073863MF          | 1"1/2x1"      | 140 | 140 | 180 | M20 | 40-120 | 65-97  | 90-111 | 9,33          |

ROTATION TENSIONER CHT - ER

FRONT SET UP



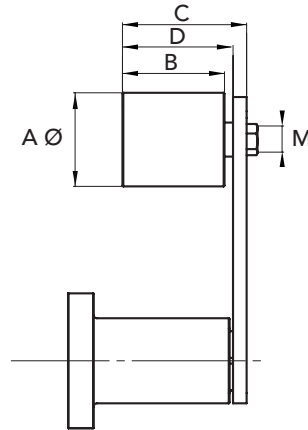
CAD drawings available on our site  
[www.chiaravalli.com](http://www.chiaravalli.com)

Quantity, availability  
and prices on B2B Chiaravalli



- Tensioner E with belt tensioner roller RU
- Flexible rubber items
- Supplied with set up bolts

**\* ON DEMAND  
AVAILABLE WITH FRONT SET UP**



| TYPE          | P. NUMBER<br>ALUMINUM | P. NUMBER<br>STEEL | P. NUMBER<br>POLYAMIDE | A Ø | B   | C   | D   | M   | WEIGHT Kg.<br>ALUMINUM | WEIGHT Kg.<br>STEEL | WEIGHT Kg.<br>PA |
|---------------|-----------------------|--------------------|------------------------|-----|-----|-----|-----|-----|------------------------|---------------------|------------------|
| ERU 1 - 3035  | 94073501              | 94073521           | 94073511               | 30  | 35  | 51  | 43  | M8  | 0,27                   | 0,33                | 0,25             |
| ERU 2 - 4045  | 94074502              | 94074522           | 94074512               | 40  | 45  | 67  | 56  | M10 | 0,57                   | 0,68                | 0,53             |
| ERU 2 - 5050  | 94075002              | 94075022           | 94075012               | 50  | 50  | 69  | 58  | M12 | 0,64                   | 0,95                | 0,58             |
| ERU 3 - 4045  | 94074503              | 94074523           | 94074513               | 40  | 45  | 67  | 57  | M10 | 0,82                   | 0,93                | 0,78             |
| ERU 3 - 5050  | 94075003              | 94075023           | 94075013               | 50  | 50  | 69  | 59  | M12 | 0,89                   | 1,20                | 0,83             |
| ERU 4 - 6060  | 94076004              | 94076024           | 94076014               | 60  | 60  | 89  | 76  | M12 | 2,35                   | 2,98                | 2,24             |
| ERU 5 - 8090  | 94078005              | 94078025           | 94078015               | 80  | 90  | 127 | 109 | M20 | 4,90                   | 6,50                | 4,40             |
| ERU 6 - 90135 | -                     | -                  | 94079016               | 90  | 135 | 169 | 154 | M20 | -                      | -                   | 7,60             |
| ERU 1 - 3035  | 94073501MF            | 94073521MF         | 94073511MF             | 30  | 35  | 51  | 43  | M8  | 0,27                   | 0,33                | 0,25             |
| ERU 2 - 4045  | 94074502MF            | 94074522MF         | 94074512MF             | 40  | 45  | 67  | 56  | M10 | 0,57                   | 0,68                | 0,53             |
| ERU 2 - 5050  | 94075002MF            | 94075022MF         | 94075012MF             | 50  | 50  | 69  | 58  | M12 | 0,64                   | 0,95                | 0,58             |
| ERU 3 - 4045  | 94074503MF            | 94074523MF         | 94074513MF             | 40  | 45  | 67  | 57  | M10 | 0,82                   | 0,93                | 0,78             |
| ERU 3 - 5050  | 94075003MF            | 94075023MF         | 94075013MF             | 50  | 50  | 69  | 59  | M12 | 0,89                   | 1,20                | 0,83             |
| ERU 4 - 6060  | 94076004MF            | 94076024MF         | 94076014MF             | 60  | 60  | 89  | 76  | M12 | 2,35                   | 2,98                | 2,24             |
| ERU 5 - 8090  | 94078005MF            | 94078025MF         | 94078015MF             | 80  | 90  | 127 | 109 | M20 | 4,90                   | 6,50                | 4,40             |
| ERU 6 - 90135 | -                     | -                  | 94079016MF             | 90  | 135 | 169 | 154 | M20 | -                      | -                   | 7,60             |



ROLLER MATERIAL: POLYAMIDE (PA)  
ALUMINUM (AL)  
GALVANIZED STEEL (GS)

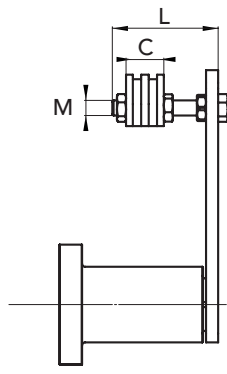
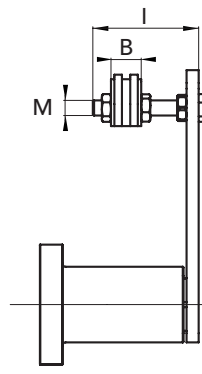
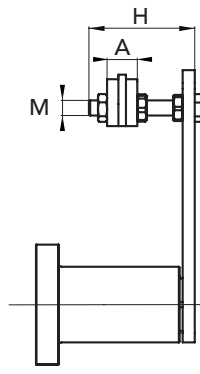
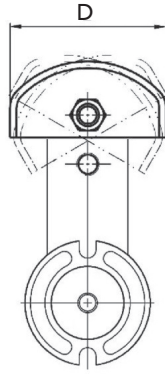
CAD drawings available on our site  
[www.chiaravalli.com](http://www.chiaravalli.com)

Quantity, availability  
and prices on B2B Chiaravalli



- Tensioner E with sliding block chain tensioner in polyethylene UHMW high molecular mass (1.000.000) material
- Available in other colors
- Provided with bushing kit allowing the free movement of the sliding block
- Flexible rubber items
- Available with sliding blocks type GA and GO. For sizes see page 32
- Supplied with set up bolts

**\* ON DEMAND  
AVAILABLE WITH FRONT SET UP**



Simple B1

Double B2

Triple B3

| TYPE          | P. NUMBER<br>SIMPLE | P. NUMBER<br>DOUBLE | P. NUMBER<br>TRIPLE | Step<br>Chain | A  | B  | C   | D                    | H   | I   | L   | M   | WEIGHT<br>Kg. |
|---------------|---------------------|---------------------|---------------------|---------------|----|----|-----|----------------------|-----|-----|-----|-----|---------------|
| EGE 1 - 3/8   | 94070901            | 94070902            | -                   | 3/8 X 7/32"   | 20 | 20 | -   | 68 <sup>-0/+2</sup>  | 45  | 45  | -   | M8  | 0,30          |
| EGE 2 - 3/8   | -                   | -                   | 94070903            | 3/8 X 7/32"   | -  | -  | 25  | 68 <sup>-0/+2</sup>  | -   | -   | 45  | M10 | 0,50          |
| EGE 2 - 1/2   | 94071201            | 94071202            | -                   | 1/2" X 5/16"  | 20 | 20 | -   | 68 <sup>-0/+2</sup>  | 55  | 55  | -   | M10 | 0,50          |
| EGE 3 - 1/2   | 94071211            | 94071212            | 94071213            | 1/2" X 5/16"  | 20 | 20 | 35  | 68 <sup>-0/+2</sup>  | 55  | 60  | 70  | M10 | 0,75          |
| EGE 3 - 5/8   | 94071501            | 94071502            | -                   | 5/8" X 3/8"   | 20 | 25 | -   | 88 <sup>-0/+2</sup>  | 55  | 70  | -   | M10 | 0,78          |
| EGE 3 - 3/4   | 94071901            | 94071902            | -                   | 3/4" X 7/16"  | 20 | 30 | -   | 88 <sup>-0/+2</sup>  | 60  | 70  | -   | M10 | 0,80          |
| EGE 4 - 5/8   | -                   | -                   | 94071503            | 5/8" X 3/8"   | -  | -  | 40  | 88 <sup>-0/+2</sup>  | -   | -   | 100 | M12 | 2,10          |
| EGE 4 - 3/4   | 94071911            | 94071912            | 94071913            | 3/4" X 7/16"  | 20 | 30 | 49  | 88 <sup>-0/+2</sup>  | 80  | 80  | 100 | M12 | 2,10          |
| EGE 4 - 1     | 94072501            | 94072502            | 94072503            | 1" X 17 mm    | 20 | 45 | 78  | 108 <sup>-0/+2</sup> | 80  | 90  | 100 | M12 | 2,20          |
| EGE 5 - 1     | -                   | 94072512            | 94072513            | 1" X 17 mm    | -  | 45 | 78  | 108 <sup>-0/+2</sup> | -   | 100 | 120 | M20 | 4,00          |
| EGE 5 - 1 1/4 | 94073101            | 94073102            | 94073103            | 1"1/4 x 3/4"  | 20 | 54 | 90  | 108 <sup>-0/+2</sup> | 100 | 120 | 130 | M20 | 4,20          |
| EGE 5 - 1 1/2 | 94073801            | 94073802            | 94073803            | 1"1/2 x 1"    | 20 | 71 | 119 | 108 <sup>-0/+2</sup> | 100 | 120 | 130 | M20 | 4,20          |
| EGE 1 - 3/8   | 94070901MF          | 94070902MF          | -                   | 3/8 X 7/32"   | 20 | 20 | -   | 68 <sup>-0/+2</sup>  | 45  | 45  | -   | M8  | 0,30          |
| EGE 2 - 3/8   | -                   | -                   | 94070903            | 3/8 X 7/32"   | -  | -  | 25  | 68 <sup>-0/+2</sup>  | -   | -   | 45  | M10 | 0,50          |
| EGE 2 - 1/2   | 94071201MF          | 94071202            | -                   | 1/2" X 5/16"  | 20 | 20 | -   | 68 <sup>-0/+2</sup>  | 55  | 55  | -   | M10 | 0,50          |
| EGE 3 - 1/2   | 94071211MF          | 94071212            | 94071213            | 1/2" X 5/16"  | 20 | 20 | 35  | 68 <sup>-0/+2</sup>  | 55  | 60  | 70  | M10 | 0,75          |
| EGE 3 - 5/8   | 94071501MF          | 94071502            | -                   | 5/8" X 3/8"   | 20 | 25 | -   | 88 <sup>-0/+2</sup>  | 55  | 70  | -   | M10 | 0,78          |
| EGE 3 - 3/4   | 94071901MF          | 94071902            | -                   | 3/4" X 7/16"  | 20 | 30 | -   | 88 <sup>-0/+2</sup>  | 60  | 70  | -   | M10 | 0,80          |
| EGE 4 - 5/8   | -                   | -                   | 94071503            | 5/8" X 3/8"   | -  | -  | 40  | 88 <sup>-0/+2</sup>  | -   | -   | 100 | M12 | 2,10          |
| EGE 4 - 3/4   | 94071911MF          | 94071912            | 94071913            | 3/4" X 7/16"  | 20 | 30 | 49  | 88 <sup>-0/+2</sup>  | 80  | 80  | 100 | M12 | 2,10          |
| EGE 4 - 1     | 94072501MF          | 94072502            | 94072503            | 1" X 17 mm    | 20 | 45 | 78  | 108 <sup>-0/+2</sup> | 80  | 90  | 100 | M12 | 2,20          |
| EGE 5 - 1     | -                   | 94072512            | 94072513            | 1" X 17 mm    | -  | 45 | 78  | 108 <sup>-0/+2</sup> | -   | 100 | 120 | M20 | 4,00          |
| EGE 5 - 1 1/4 | 94073101MF          | 94073102            | 94073103            | 1"1/4 x 3/4"  | 20 | 54 | 90  | 108 <sup>-0/+2</sup> | 100 | 120 | 130 | M20 | 4,20          |
| EGE 5 - 1 1/2 | 94073801MF          | 94073802            | 94073803            | 1"1/2 x 1"    | 20 | 71 | 119 | 108 <sup>-0/+2</sup> | 100 | 120 | 130 | M20 | 4,20          |

ROTATION CHAIN TENSIONER CHT - EGE

FRONT SET UP



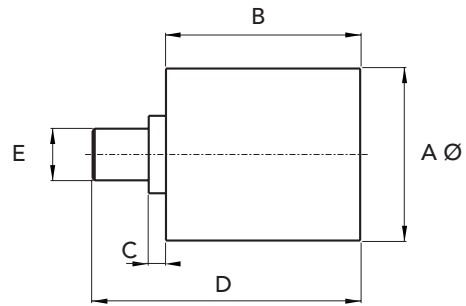
CAD drawings available on our site  
[www.chiaravalli.com](http://www.chiaravalli.com)

Quantity, availability  
and prices on B2B Chiaravalli

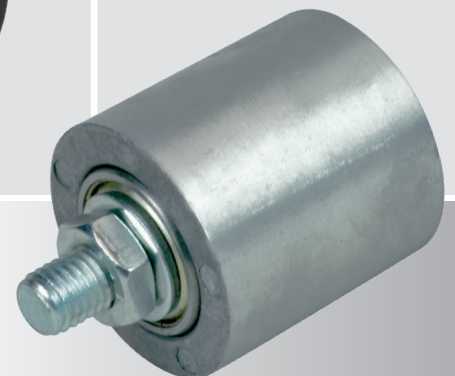




- Belt tensioner roller complete of screws and bearings
- Made of aluminum, galvanized steel or in plastic material



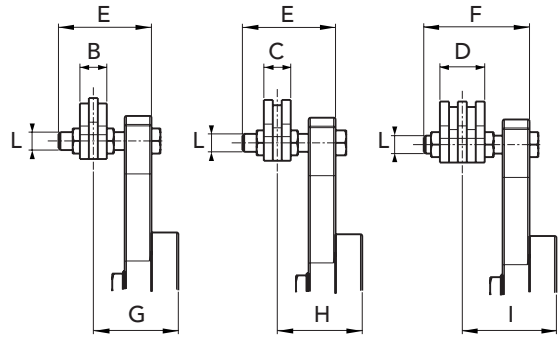
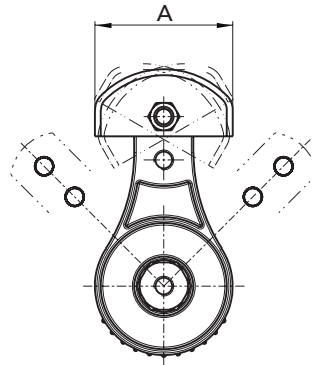
| TYPE     | P. NUMBER STEEL | P. NUMBER ALUMINUM | P. NUMBER POLYAMIDE | A Ø | B   | C   | D   | E   | WEIGHT Kg. STEEL | WEIGHT Kg. ALUMINUM | WEIGHT Kg. PA |
|----------|-----------------|--------------------|---------------------|-----|-----|-----|-----|-----|------------------|---------------------|---------------|
| RU 3035  | 94040235        | 94040035           | 94040135            | 30  | 35  | 2   | 51  | M8  | 0,15             | 0,09                | 0,07          |
| RU 4045  | 94040245        | 94040045           | 94040145            | 40  | 45  | 6   | 67  | M10 | 0,33             | 0,22                | 0,18          |
| RU 5050  | 94040250        | 94040050           | 94040150            | 50  | 50  | 2,5 | 70  | M12 | 0,60             | 0,29                | 0,23          |
| RU 6060  | 94040260        | 94040060           | -                   | 60  | 60  | 2,5 | 80  | M12 | 1,08             | 0,45                | -             |
| RU 6060  | -               | -                  | 94040160            | 60  | 60  | 8   | 85  | M12 | -                | -                   | 0,34          |
| RU 8080  | 94040280        | 94040080           | 94040180            | 80  | 80  | 2,5 | 100 | M12 | 2,70             | 1,10                | 0,60          |
| RU 8090  | 94040290        | 94040090           | 94040190            | 80  | 90  | 8,5 | 125 | M20 | -                | -                   | 1,10          |
| RU 90135 | 940402135       | 940400135          | 94040135            | 90  | 135 | 8,5 | 170 | M20 | -                | -                   | 1,70          |





- Tensioner accessory CHT-P with free sliding block of polyethylene high molecular mass material.  
Available in other colors

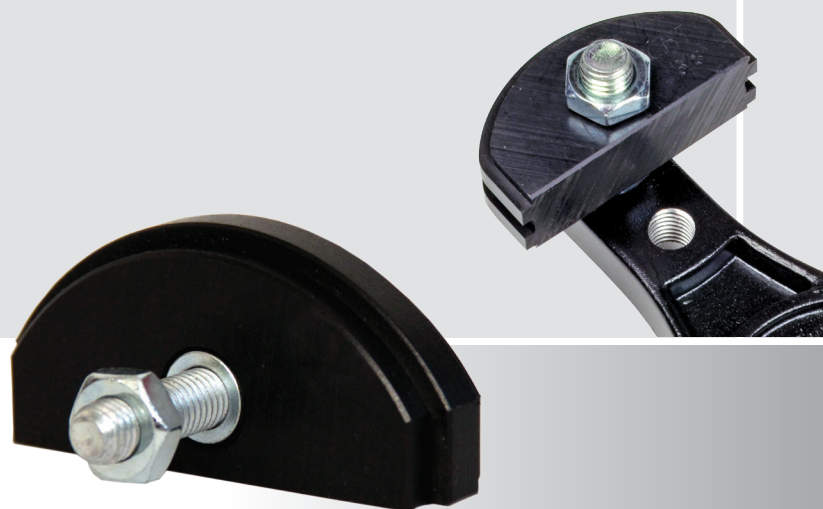
Application example of sliding block CHT - P with rotating tensioner TYPE CHT - T



Application example with holder TYPE CHT - T

TENSIONER SLIDING BLOCK CHT - P

| TYPE      | P. NUMBER SIMPLE | P. NUMBER DOUBLE | P. NUMBER TRIPLE | Step Chain | A                    | B  | C  | D  | E   | F   | G      | H     | I     | L   | WEIGHT Kg. |
|-----------|------------------|------------------|------------------|------------|----------------------|----|----|----|-----|-----|--------|-------|-------|-----|------------|
| GE-P3/8"S | 94050901         | -                | -                | 3/8"       | 68 <sup>-0/+2</sup>  | 20 | -  | -  | 60  | -   | 40-58  | -     | -     | M12 | 0,10       |
| GE-P1/2"S | 94051201         | -                | -                | 1/2"       | 68 <sup>-0/+2</sup>  | 20 | -  | -  | 60  | -   | 40-58  | -     | -     | M12 | 0,11       |
| GE-P5/8"S | 94051501         | -                | -                | 5/8"       | 88 <sup>-0/+2</sup>  | 20 | -  | -  | 80  | -   | 40-78  | -     | -     | M12 | 0,17       |
| GE-P3/4"S | 94051901         | -                | -                | 3/4"       | 88 <sup>-0/+2</sup>  | 20 | -  | -  | 80  | -   | 46-81  | -     | -     | M12 | 0,19       |
| GE-P1"S   | 94052501         | -                | -                | 1"         | 108 <sup>-0/+2</sup> | 20 | -  | -  | 100 | -   | 46-100 | -     | -     | M12 | 0,28       |
| GE-P3/8"D | -                | 94050902         | -                | 3/8"       | 68 <sup>-0/+2</sup>  | -  | 20 | -  | 60  | -   | -      | 40-58 | -     | M12 | 0,11       |
| GE-P1/2"D | -                | 94051202         | -                | 1/2"       | 68 <sup>-0/+2</sup>  | -  | 20 | -  | 60  | -   | -      | 40-58 | -     | M12 | 0,11       |
| GE-P5/8"D | -                | 94051502         | -                | 5/8"       | 88 <sup>-0/+2</sup>  | -  | 25 | -  | 80  | -   | -      | 43-75 | -     | M12 | 0,17       |
| GE-P3/4"D | -                | 94051902         | -                | 3/4"       | 88 <sup>-0/+2</sup>  | -  | 30 | -  | 80  | -   | -      | 51-76 | -     | M12 | 0,21       |
| GE-P1"D   | -                | 94052502         | -                | 1"         | 108 <sup>-0/+2</sup> | -  | 45 | -  | 100 | -   | -      | 59-88 | -     | M12 | 0,32       |
| GE-P3/8"T | -                | -                | 94050903         | 3/8"       | 68 <sup>-0/+2</sup>  | -  | -  | 25 | -   | 80  | -      | -     | 43-75 | M12 | 0,15       |
| GE-P1/2"T | -                | -                | 94051203         | 1/2"       | 68 <sup>-0/+2</sup>  | -  | -  | 35 | -   | 80  | -      | -     | 48-70 | M12 | 0,18       |
| GE-P5/8"T | -                | -                | 94051503         | 5/8"       | 88 <sup>-0/+2</sup>  | -  | -  | 40 | -   | 80  | -      | -     | 50-68 | M12 | 0,26       |
| GE-P3/4"T | -                | -                | 94051903         | 3/4"       | 88 <sup>-0/+2</sup>  | -  | -  | 49 | -   | 100 | -      | -     | 61-86 | M12 | 0,35       |
| GE-P1"T   | -                | -                | 94052003         | 1"         | 108 <sup>-0/+2</sup> | -  | -  | 78 | -   | 130 | -      | -     | 64-84 | M12 | 0,45       |

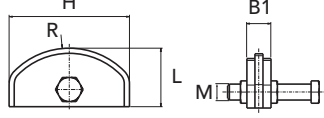




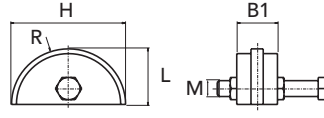
- Chain tensioner sliding block of polyethylene UHMW high molecular mass (1.000.000) material
- Complete with a bushing kit, allow any free movement only for type GE
- Available on request in other colors

GE

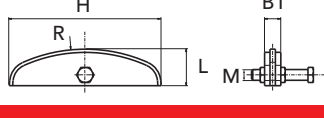
Simple B1



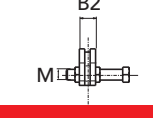
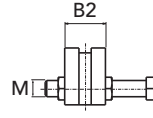
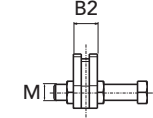
GO



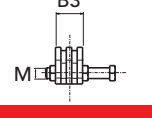
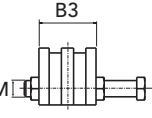
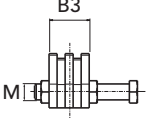
GA



Double B2



Triple B3



|            | TYPE       | P. NUMBER SIMPLE | P. NUMBER DOUBLE | P. NUMBER TRIPLE | Step Chain   | B1 | B2  | B3  | L   | M                    | H                    | R    | WEIGHT Kg. |
|------------|------------|------------------|------------------|------------------|--------------|----|-----|-----|-----|----------------------|----------------------|------|------------|
| GE         | GE - 3/8"  | 94090901         | 94090902         | -                | 3/8 x 7/32"  | 20 | 20  | -   | 34  | M8                   | 68 <sup>-0/+2</sup>  | 42   | 0,10       |
|            | GE - 3/8"  | -                | -                | 94090903         | 3/8 x 7/32"  | -  | -   | 25  | 34  | M10                  | 68 <sup>-0/+2</sup>  | 42   | 0,10       |
|            | GE - 1/2"  | 94091201         | 94091202         | 94091203         | 1/2" x 5/16" | 20 | 20  | 35  | 34  | M10                  | 68 <sup>-0/+2</sup>  | 42   | 0,11       |
|            | GE - 5/8"  | 94091501         | 94091502         | -                | 5/8" x 3/8"  | 20 | 25  | -   | 44  | M10                  | 88 <sup>-0/+2</sup>  | 54   | 0,17       |
|            | GE - 5/8"  | -                | -                | 94091503         | 5/8" x 3/8"  | -  | -   | 40  | 44  | M12                  | 88 <sup>-0/+2</sup>  | 54   | 0,17       |
|            | GE - 3/4"  | 94093401         | 94093402         | -                | 3/4" x 7/16" | 20 | 30  | -   | 44  | M10                  | 88 <sup>-0/+2</sup>  | 54   | 0,19       |
|            | GE - 3/4"  | 94091901         | 94091902         | 94091903         | 3/4" x 7/16" | 20 | 30  | 49  | 44  | M12                  | 88 <sup>-0/+2</sup>  | 54   | 0,19       |
|            | GE - 1"    | 94092501         | 94092502         | 94092503         | 1" x 17 mm   | 25 | 45  | 78  | 54  | M12                  | 108 <sup>-0/+2</sup> | 66   | 0,28       |
|            | GE - 1"    | -                | 94092602         | 94092603         | 1" x 17 mm   | -  | 45  | 78  | 54  | M20                  | 108 <sup>-0/+2</sup> | 66   | 0,28       |
|            | GE - 1"1/4 | 94093101         | 94093102         | 94093103         | 1"1/4 x 3/4" | 25 | 54  | 90  | 54  | M20                  | 108 <sup>-0/+2</sup> | 66   | 0,28       |
| GE - 1"1/2 | 94093801   | 94093802         | 94093803*        | 1"1/2 x 1"       | 25           | 71 | 119 | 54  | M20 | 108 <sup>-0/+2</sup> | 66                   | 0,28 |            |
| GO         | GO - 3/8"  | 94110901         | 94110902         | 94110903         | 3/8 x 7/32"  | 20 | 20  | 25  | 34  | M8                   | 70                   | 35   | 0,10       |
|            | GO - 1/2"  | 94111201         | 94111202         | 94111203         | 1/2" x 5/16" | 20 | 20  | 35  | 34  | M10                  | 70                   | 35   | 0,11       |
|            | GO - 5/8"  | 94111501         | 94111502         | 94111503         | 5/8" x 3/8"  | 20 | 25  | 40  | 44  | M10                  | 90                   | 45   | 0,17       |
|            | GO - 3/4"  | 94111901         | 94111902         | 94111903         | 3/4" x 7/16" | 20 | 30  | 49  | 44  | M12                  | 90                   | 45   | 0,19       |
|            | GO - 1"    | 94112501         | 94112502         | 94112503         | 1" xs 17 mm  | 25 | 45  | 78  | 54  | M12                  | 110                  | 55   | 0,28       |
|            | GO - 1"1/4 | 94113101         | 94113102         | 94113103         | 1"1/4 x 3/4" | 25 | 54  | 90  | 54  | M20                  | 110                  | 55   | 0,28       |
|            | GO - 1"1/2 | 94113801         | 94113802         | 94113803*        | 1"1/2 x 1"   | 25 | 71  | 119 | 54  | M20                  | 110                  | 55   | 0,28       |
| GA         | GA - 3/8"  | 94080901         | 94080902         | 94080903         | 3/8 x 7/32"  | 20 | 20  | 25  | 39  | M8                   | 140                  | 120  | 0,16       |
|            | GA - 1/2"  | 94081201         | 94081202         | 94081203         | 1/2" x 5/16" | 20 | 20  | 35  | 39  | M10                  | 140                  | 120  | 0,16       |
|            | GA - 5/8"  | 94081501         | 94081502         | 94081503         | 5/8" x 3/8"  | 20 | 25  | 40  | 39  | M10                  | 140                  | 140  | 0,23       |
|            | GA - 3/4"  | 94081901         | 94081902         | 94081903         | 3/4" x 7/16" | 20 | 30  | 49  | 39  | M12                  | 140                  | 140  | 0,23       |
|            | GA - 1"    | 94082501         | 94082502         | 94082503         | 1" x 17 mm   | 25 | 45  | 78  | 39  | M12                  | 140                  | 160  | 0,30       |



GE



GO



GA

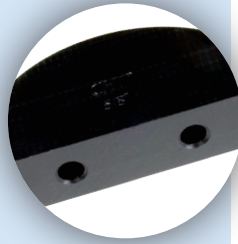
CAD drawings available on our site [www.chiaravalli.com](http://www.chiaravalli.com)

Quantity, availability and prices on B2B Chiaravalli

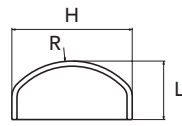




- Chain tensioner sliding block of polyethylene UHMW high molecular mass (1.000.000) material
- Available on request in other colors



REPLACEMENT FOR TYPE  
**ASGE**



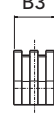
Simple B1



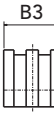
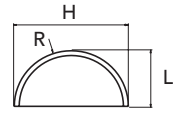
Double B2



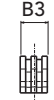
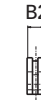
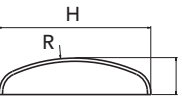
Triple B3



REPLACEMENT FOR TYPE  
**ASGO**



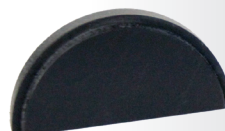
REPLACEMENT FOR TYPE  
**ASGA**



| REPLACEMENT FOR TYPE | P. NUMBER SIMPLE | P. NUMBER DOUBLE | P. NUMBER TRIPLE | Step Chain    | B1 | B2 | B3  | L    | H                    | R   | WEIGHT Kg. |
|----------------------|------------------|------------------|------------------|---------------|----|----|-----|------|----------------------|-----|------------|
| ASGE - 3/8"          | 94ASGE138SR      | 94ASGE138DR      | -                | 3/8 x 7/32"   | 20 | 20 | -   | 34   | 68 <sup>-0/+2</sup>  | 42  | 0,10       |
| ASGE - 3/8"          | -                | -                | 94ASGE138TR      | 3/8 x 7/32"   | -  | -  | 25  | 34   | 68 <sup>-0/+2</sup>  | 42  | 0,10       |
| ASGE - 1/2"          | 94ASGE112SR      | 94ASGE112DR      | 94ASGE112TR      | 1/2" x 5/16"  | 20 | 20 | 35  | 34   | 68 <sup>-0/+2</sup>  | 42  | 0,11       |
| ASGE - 5/8"          | 94ASGE158SR      | 94ASGE158DR      | -                | 5/8" x 3/8"   | 20 | 25 | -   | 44   | 88 <sup>-0/+2</sup>  | 54  | 0,17       |
| ASGE - 5/8"          | -                | -                | 94ASGE158TR      | 5/8" x 3/8"   | -  | -  | 40  | 44   | 88 <sup>-0/+2</sup>  | 54  | 0,17       |
| ASGE - 5/8"          | 94ASGE258SR      | 94ASGE258DR      | 94ASGE258TR      | 5/8" x 3/8"   | -  | -  | 40  | 44   | 88 <sup>-0/+2</sup>  | 54  | 0,17       |
| ASGE - 3/4"          | 94ASGE234SR      | 94ASGE234DR      | 94ASGE234TR      | 3/4" x 7/16"  | 20 | 30 | 49  | 44   | 88 <sup>-0/+2</sup>  | 54  | 0,19       |
| ASGE - 1"            | 94ASGE21SR       | 94ASGE21DR       | -                | 1" x 17 mm    | 25 | 45 | 78  | 54   | 108 <sup>-0/+2</sup> | 66  | 0,28       |
| ASGE - 1"            | 94ASGE31SR       | 94ASGE31DR       | 94ASGE31TR       | 1" x 17 mm    | -  | 45 | 78  | 54   | 108 <sup>-0/+2</sup> | 66  | 0,28       |
| ASGE - 1"1/4         | 94ASGE3114SR     | 94ASGE3114DR     | 94ASGE3114TR     | 1"1/4 x 3/4"  | 25 | 54 | 90  | 54   | 108 <sup>-0/+2</sup> | 66  | 0,28       |
| ASGE - 1"1/2         | 94ASGE3112SR     | 94ASGE3112DR     | 94ASGE3112TR     | 1"1/2 x 1"    | 25 | 71 | 119 | 54   | 108 <sup>-0/+2</sup> | 66  | 0,28       |
| ASGE - 1"3/4         | 94ASGE3134SR     | -                | -                | 1"3/4 x 1"1/4 | 25 | -  | -   | 54   | 108 <sup>-0/+2</sup> | 66  | 0,28       |
| ASGE - 2"            | 94ASGE32SR       | -                | -                | 2" x 1"1/4    | 30 | -  | -   | 54   | 108 <sup>-0/+2</sup> | 66  | 0,28       |
| ASGO - 3/8"          | 94ASGO138SR      | 94ASGO138DR      | 94ASGO138TR      | 3/8 x 7/32"   | 20 | 20 | 25  | 34   | 70                   | 35  | 0,10       |
| ASGO - 1/2"          | 94ASGO112SR      | 94ASGO112DR      | 94ASGO112TR      | 1/2" x 5/16"  | 20 | 20 | 35  | 34   | 70                   | 35  | 0,11       |
| ASGO - 5/8"          | 94ASGO158SR      | 94ASGO158DR      | 94ASGO158TR      | 5/8" x 3/8"   | 20 | 25 | 40  | 44   | 90                   | 45  | 0,17       |
| ASGO - 5/8"          | 94ASGO258SR      | 94ASGO258DR      | 94ASGO258TR      | 5/8" x 3/8"   | 20 | 25 | 40  | 44   | 90                   | 45  | 0,17       |
| ASGO - 3/4"          | 94ASGO234SR      | 94ASGO234DR      | 94ASGO234TR      | 3/4" x 7/16"  | 20 | 30 | 49  | 44   | 90                   | 45  | 0,19       |
| ASGO - 1"            | 94ASGO21SR       | 94ASGO21DR       | -                | 1" x 17 mm    | 25 | 45 | 78  | 54   | 110                  | 55  | 0,28       |
| ASGO - 1"            | 94ASGO31SR       | 94ASGO31DR       | 94ASGO31TR       | 1" x 17 mm    | 25 | 45 | 78  | 54   | 110                  | 55  | 0,28       |
| ASGO - 1"1/4         | 94ASGO3114SR     | 94ASGO3114DR     | 94ASGO3114TR     | 1"1/4 x 3/4"  | 25 | 54 | 90  | 54   | 110                  | 55  | 0,28       |
| ASGO - 1"1/2         | 94ASGO3112SR     | 94ASGO3112DR     | 94ASGO3112TR     | 1"1/2 x 1"    | 25 | 71 | 119 | 54   | 110                  | 55  | 0,28       |
| ASGO - 1"3/4         | 94ASGO3134SR     | -                | -                | 1"3/4 x 1"1/4 | 20 | -  | -   | 44   | 90                   | 45  | 0,19       |
| ASGO - 2"            | 94ASGO32SR       | -                | -                | 2" x 1"1/4    | 30 | -  | -   | 15   | 88                   | 54  | 0,19       |
| ASGA - 3/8"          | 94ASGA138SR      | 94ASGA138DR      | 94ASGA138TR      | 3/8 x 7/32"   | 20 | 20 | 25  | 39   | 140                  | 120 | 0,16       |
| ASGA - 1/2"          | 94ASGA112SR      | 94ASGA112DR      | 94ASGA112TR      | 1/2" x 5/16"  | 20 | 20 | 35  | 39   | 140                  | 120 | 0,16       |
| ASGA - 5/8"          | 94ASGA158SR      | 94ASGA158DR      | 94ASGA158TR      | 5/8" x 3/8"   | 20 | 25 | 40  | 39   | 140                  | 140 | 0,23       |
| ASGA - 5/8"          | 94ASGA258SR      | 94ASGA258DR      | 94ASGA258TR      | 5/8" x 3/8"   | 20 | 25 | 40  | 39   | 140                  | 140 | 0,23       |
| ASGA - 3/4"          | 94ASGA234SR      | 94ASGA234DR      | 94ASGA234TR      | 3/4" x 7/16"  | 20 | 30 | 49  | 39   | 140                  | 140 | 0,23       |
| ASGA - 1"            | 94ASGA31SR       | 94ASGA31DR       | 94ASGA31TR       | 1" x 17 mm    | 25 | 45 | 78  | 39   | 140                  | 160 | 0,30       |
| ASGA - 1"1/4         | 94ASGA3114SR     | 94ASGA3114DR     | 94ASGA3114TR     | 1"1/4 x 3/4"  | 25 | 54 | 90  | 17,5 | 108                  | 66  | 0,28       |
| ASGA - 1"1/2         | 94ASGA3112SR     | 94ASGA3112DR     | 94ASGA3112TR     | 1"1/2 x 1"    | 25 | 71 | 119 | 17,5 | 108                  | 66  | 0,28       |
| ASGA - 2"            | 94ASGA32SR       | -                | -                | 2" x 1"1/4    | 30 | -  | -   | 44   | 90                   | 45  | 0,19       |



ASGE



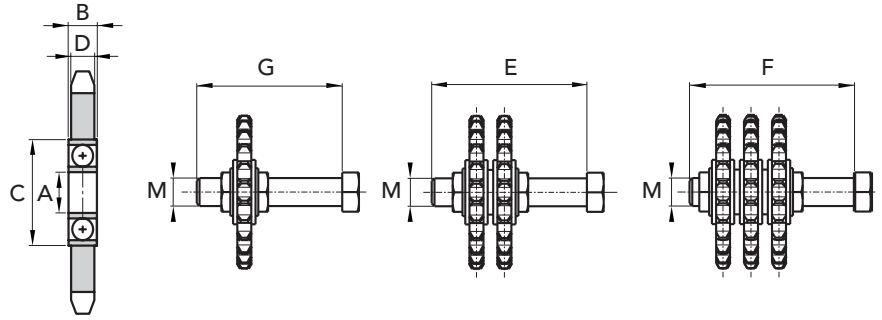
ASGO



ASGA



- Zinc-coated chain tensioner sprockets complete with self-lubricating ball-bearings 2Z and accessories for the assembling on tensioners CHT-L, CHT-T, CHT-AS and CHT-E.



| TYPE | P. NUMBER SIMPLE | P. NUMBER DOUBLE | P. NUMBER TRIPLE | Step Chain | Z Teeth | A  | B  | C  | D h14 | M   | G   | E   | F   |
|------|------------------|------------------|------------------|------------|---------|----|----|----|-------|-----|-----|-----|-----|
| R    | 94060911         | 94060912         | -                | 3/8"       | 15      | 10 | 8  | 26 | 5,3   | M10 | 55  | 55  | -   |
| R    | 94060901         | 94060902         | 94060903         | 3/8"       | 15      | 12 | 8  | 28 | 5,3   | M12 | 60  | 60  | 80  |
| R    | 94061201         | 94061202         | 94061203         | 1/2"       | 15      | 12 | 10 | 32 | 7,2   | M12 | 60  | 60  | 80  |
| R    | 94061211         | 94061212         | -                | 1/2"       | 15      | 10 | 9  | 30 | 7,2   | M10 | 55  | 60  | -   |
| R    | 94061501         | 94061502         | 94061503         | 5/8"       | 15      | 12 | 10 | 32 | 9,1   | M12 | 80  | 80  | 80  |
| R    | -                | -                | 94061523         | 5/8"       | 15      | 20 | 12 | 42 | 9,1   | M20 | -   | -   | 120 |
| R    | 94061901         | 94061902         | 94061903         | 3/4"       | 15      | 12 | 12 | 37 | 11,1  | M12 | 80  | 80  | 100 |
| R    | 94061921         | 94061922         | 94061923         | 3/4"       | 15      | 20 | 14 | 47 | 11,1  | M20 | 100 | 120 | 120 |
| R    | 94062501         | 94062502         | -                | 1"         | 12      | 12 | 12 | 37 | 16,2  | M12 | 100 | 100 | -   |
| R    | 94062521         | 94062522         | 94062523         | 1"         | 12      | 20 | 15 | 47 | 16,2  | M20 | 100 | 120 | 160 |
| R    | 94063121         | 94063122         | 94063123         | 1" 1/4     | 13      | 20 | 15 | 52 | 18,5  | M20 | 100 | 140 | 160 |
| R    | 94063821         | 94063822         | 94063823         | 1" 1/2     | 11      | 20 | 15 | 52 | 24,1  | M20 | 140 | 140 | 180 |

| TYPE | P. NUMBER SIMPLE | WEIGHT Kg. SIMPLE | P. NUMBER DOUBLE | WEIGHT Kg. DOUBLE | P. NUMBER TRIPLE | WEIGHT Kg. TRIPLE |
|------|------------------|-------------------|------------------|-------------------|------------------|-------------------|
| R    | 94060911         | 0,15              | 94060912         | 0,23              | -                | -                 |
| R    | 94060901         | 0,13              | 94060902         | 0,21              | 94060903         | 0,26              |
| R    | 94061201         | 0,18              | 94061202         | 0,35              | 94061203         | 0,50              |
| R    | 94061211         | 0,20              | 94061212         | 0,37              | -                | -                 |
| R    | 94061501         | 0,35              | 94061502         | 0,60              | 94061503         | 0,95              |
| R    | -                | -                 | -                | -                 | 94061523         | 1,30              |
| R    | 94061901         | 0,55              | 94061902         | 1,00              | 94061903         | 1,40              |
| R    | 94061921         | 0,85              | 94061922         | 1,35              | 94061923         | 1,60              |
| R    | 94062501         | 0,90              | 94062502         | 1,70              | -                | 2,50              |
| R    | 94062521         | 1,00              | 94062522         | 1,90              | 94062523         | 2,70              |
| R    | 94063121         | 2,00              | 94063122         | 3,60              | 94063123         | 5,20              |
| R    | 94063821         | 2,35              | 94063822         | 4,00              | 94063823         | 5,80              |



CAD drawings available on our site  
[www.chiaravalli.com](http://www.chiaravalli.com)

Quantity, availability  
and prices on B2B Chiaravalli

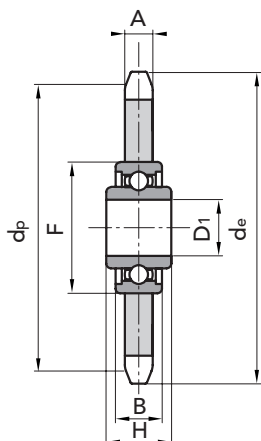


## With NATIONAL BEARINGS

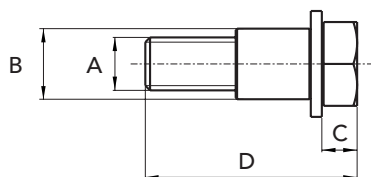
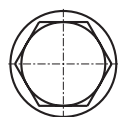
Our chain tensioner are complete of bearings, ready to be assembled in particular tension positions.

The accurate machining and the particular assembly obtained by a ball bearing with a double protection screen, allow an application with greater load and more wear resistance.

The central bearing with "widen" ring, allows an easy assembly on special machines of all kinds of machinery.



| Z  | STEP         | d <sub>e</sub> | d <sub>p</sub> | P. NUMBER | A    | D1            | F  | B  | H    | kg.  |
|----|--------------|----------------|----------------|-----------|------|---------------|----|----|------|------|
| 23 | 8 x 3        | 62,15          | 58,75          | 30008023  | 2,8  | 16 $\pm 0,03$ | 40 | 12 | 18,3 | 0,13 |
| 21 | 3/8" x 7/32" | 68,00          | 63,90          | 30009021  | 5,3  | 16 $\pm 0,03$ | 40 | 12 | 18,3 | 0,15 |
| 22 | 3/8" x 7/32" | 71,00          | 66,93          | 30009022  | 5,3  | 16 $\pm 0,03$ | 40 | 12 | 18,3 | 0,16 |
| 18 | 1/2" x 1/8"  | 78,90          | 73,14          | 30010018  | 3,0  | 16 $\pm 0,03$ | 40 | 12 | 18,3 | 0,18 |
| 15 | 1/2" x 3/16" | 66,80          | 61,09          | 30011015  | 4,5  | 16 $\pm 0,03$ | 40 | 12 | 18,3 | 0,16 |
| 16 | 1/2" x 3/16" | 70,90          | 65,10          | 30011016  | 4,5  | 16 $\pm 0,03$ | 40 | 12 | 18,3 | 0,17 |
| 18 | 1/2" x 3/16" | 78,90          | 73,13          | 30011018  | 4,5  | 16 $\pm 0,03$ | 40 | 12 | 18,3 | 0,20 |
| 14 | 1/2" x 5/16" | 61,80          | 57,07          | 30012014  | 7,2  | 16 $\pm 0,03$ | 40 | 12 | 18,3 | 0,13 |
| 16 | 1/2" x 5/16" | 69,50          | 65,10          | 30012016  | 7,2  | 16 $\pm 0,03$ | 40 | 12 | 18,3 | 0,17 |
| 18 | 1/2" x 5/16" | 77,80          | 73,14          | 30012018  | 7,2  | 16 $\pm 0,03$ | 40 | 12 | 18,3 | 0,22 |
| 14 | 5/8" x 3/8"  | 78,00          | 71,34          | 30015014  | 9,1  | 16 $\pm 0,03$ | 40 | 12 | 18,3 | 0,23 |
| 15 | 5/8" x 3/8"  | 83,00          | 76,36          | 30015015  | 9,1  | 16 $\pm 0,03$ | 40 | 12 | 18,3 | 0,27 |
| 17 | 5/8" x 3/8"  | 93,00          | 86,39          | 30015017  | 9,1  | 16 $\pm 0,03$ | 40 | 12 | 18,3 | 0,36 |
| 13 | 3/4" x 7/16" | 87,50          | 79,59          | 30019013  | 11,1 | 16 $\pm 0,03$ | 40 | 12 | 18,3 | 0,34 |
| 15 | 3/4" x 7/16" | 99,80          | 91,63          | 30019015  | 11,1 | 16 $\pm 0,03$ | 40 | 12 | 18,3 | 0,47 |
| 12 | 1" x 17.02   | 109,00         | 98,14          | 30025012  | 16,2 | 20 $\pm 0,1$  | 47 | 14 | 17,7 | 0,72 |
| 13 | 1"1/4 x 3/4" | 147,80         | 132,65         | 30031013  | 18,5 | 25 $\pm 0,1$  | 52 | 15 | 21,0 | 1,64 |



## ASSEMBLY KIT FOR OUR CHAIN TENSIONER SPROCKET CHT-TN MUST BE ORDERED SEPARATELY

|           | P. NUMBER | A   | B  | C  | D  | Kg.  |
|-----------|-----------|-----|----|----|----|------|
| KIT TN 16 | KTN16     | M12 | 16 | 8  | 48 | 0,06 |
| KIT TN 20 | KTN20     | M12 | 20 | 8  | 53 | 0,07 |
| KIT TN 25 | KTN25     | M16 | 25 | 10 | 50 | 0,10 |

The securing kit Series TN provides an easy assembly of the chain tensioner TN with our automatic tensioners Series T, AS, L.

The kit is composed of hexagonal head screw, washer and bushing.

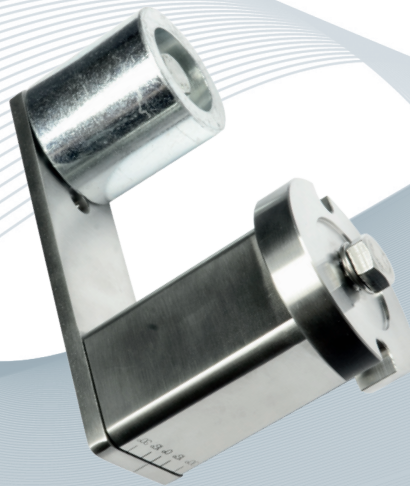
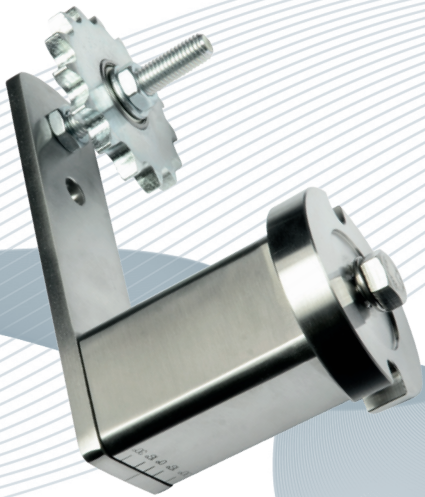




ROTATING TENSIONER BRAND CHT®

ROTATING TENSIONER BRAND CHT® INOX

INOX



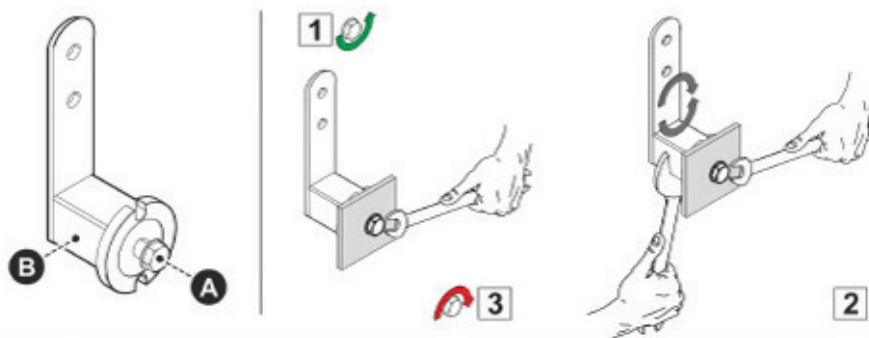


## TYPE E INOX

- 1) Loosen the fixing screw "A" slightly with the first spanner.
- 2) Rotate the tensioner "B" in the desired direction with a second spanner, placed on basic body square
- 3) Tighten the screw "A".

### NOTE

In case of irregular surfaces or heavy applications, it is advisable to use two securing screws, to avoid the tensioner rotation.



## STANDARD VERSION INOX



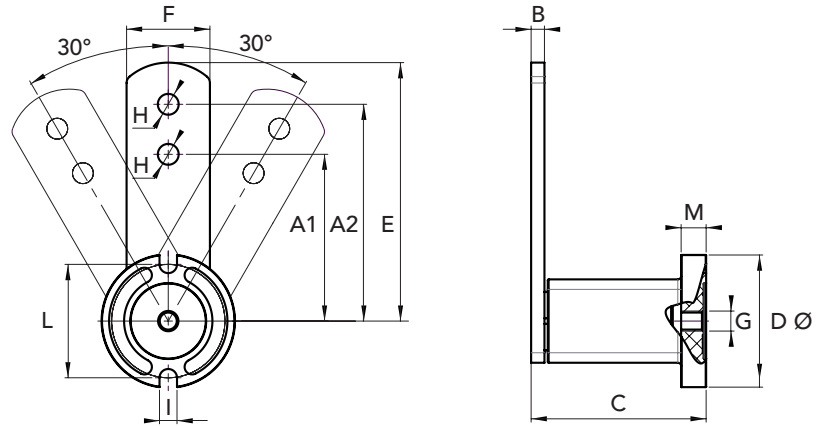
**ON DEMAND**  
AVAILABLE WITH FRONT SET UP



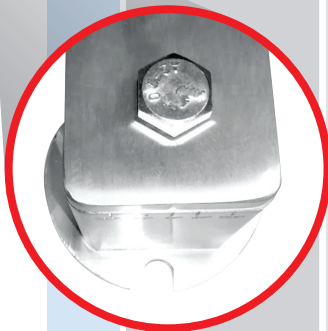


- Stainless steel AISI 304 Tensioner E with two holes for fixing accessories
- Flexible rubber items
- Supplied with set up bolts made of stainless steel AISI 304

**\* ON DEMAND  
AVAILABLE WITH FRONT SET UP**



| TYPE | P. NUMBER    | Newton A2 | Newton A1 | A1  | A2  | B  | C   | D Ø | E     | F  | G   | H    | I  | L   | M  | WEIGHT<br>Kg. |
|------|--------------|-----------|-----------|-----|-----|----|-----|-----|-------|----|-----|------|----|-----|----|---------------|
| E 1  | 94070001SS   | 0 - 90    | 0 - 110   | 60  | 80  | 5  | 50  | 35  | 90    | 20 | M6  | 8,5  | 7  | 31  | 6  | 0,18          |
| E 2  | 94070002SS   | 0 - 130   | 0 - 160   | 80  | 100 | 5  | 63  | 45  | 112,5 | 30 | M8  | 10,5 | 9  | 41  | 8  | 0,35          |
| E 3  | 94070003SS   | 0 - 330   | 0 - 410   | 80  | 100 | 6  | 77  | 59  | 115   | 35 | M10 | 10,5 | 9  | 48  | 10 | 0,60          |
| E 4  | 94070004SS   | 0 - 800   | 0 - 1000  | 100 | 130 | 8  | 107 | 79  | 155   | 50 | M12 | 12,5 | 11 | 63  | 15 | 1,90          |
| E 5  | 94070005SS   | 0 - 1500  | 0 - 1850  | 140 | 175 | 10 | 139 | 98  | 205   | 60 | M16 | 20,5 | 13 | 84  | 15 | 3,80          |
| E 6  | 94070006SS   | 0 - 2500  | 0 - 3100  | 180 | 225 | 12 | 199 | 118 | 260   | 70 | M20 | 20,5 | 13 | 100 | 18 | 6,50          |
| E 7  | 94070007SS   | 0 - 3800  | 0 - 4800  | 200 | 250 | 20 | 210 | 128 | 290   | 80 | M24 | 20,5 | 17 | 107 | 20 | 9,00          |
| E 1  | 94070001MFSS | 0 - 90    | 0 - 110   | 60  | 80  | 5  | 50  | 35  | 90    | 20 | M6  | 8,5  | 7  | 31  | 6  | 0,18          |
| E 2  | 94070002MFSS | 0 - 130   | 0 - 160   | 80  | 100 | 5  | 63  | 45  | 112,5 | 30 | M8  | 10,5 | 9  | 41  | 8  | 0,35          |
| E 3  | 94070003MFSS | 0 - 330   | 0 - 410   | 80  | 100 | 6  | 77  | 59  | 115   | 35 | M10 | 10,5 | 9  | 48  | 10 | 0,60          |
| E 4  | 94070004MFSS | 0 - 800   | 0 - 1000  | 100 | 130 | 8  | 107 | 79  | 155   | 50 | M12 | 12,5 | 11 | 63  | 15 | 1,90          |
| E 5  | 94070005MFSS | 0 - 1500  | 0 - 1850  | 140 | 175 | 10 | 139 | 98  | 205   | 60 | M16 | 20,5 | 13 | 84  | 15 | 3,80          |
| E 6  | 94070006MFSS | 0 - 2500  | 0 - 3100  | 180 | 225 | 12 | 199 | 118 | 260   | 70 | M20 | 20,5 | 13 | 100 | 18 | 6,50          |
| E 7  | 94070007MFSS | 0 - 3800  | 0 - 4800  | 200 | 250 | 20 | 210 | 128 | 290   | 80 | M24 | 20,5 | 17 | 107 | 20 | 9,00          |



**ON DEMAND AVAILABLE  
IN STAINLESS STEEL AISI 316**

CAD drawings available on our site  
[www.chiaravalli.com](http://www.chiaravalli.com)

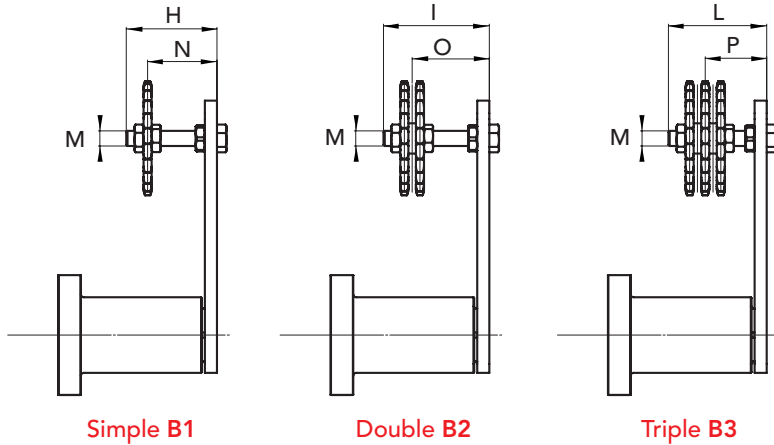
Quantity, availability  
and prices on B2B Chiaravalli





- Stainless steel AISI 304 Tensioner E with chain tensioner sprocket (simple, double, triple) also made of stainless steel AISI 304
- Flexible rubber items
- Supplied with set up bolts made of stainless steel AISI 304

**\* ON DEMAND  
AVAILABLE WITH FRONT SET UP**



Simple B1

Double B2

Triple B3

ROTATING TENSIONER CHT - ER

| TYPE         | P. NUMBER SIMPLE | P. NUMBER DOUBLE | P. NUMBER TRIPLE | Step Chain | H   | I   | L   | M   | N      | O      | P      | WEIGHT Kg. |
|--------------|------------------|------------------|------------------|------------|-----|-----|-----|-----|--------|--------|--------|------------|
| ER 2 - 3/8   | 94070921SS       | 94070922SS       | -                | 3/8x7/32"  | 55  | 55  | -   | M10 | 22-43  | 27-39  | -      | 0,48       |
| ER 3 - 3/8   | 94070931SS       | 94070932SS       | 94070933SS       | 3/8x7/32"  | 55  | 60  | 70  | M10 | 23-43  | 28-39  | 33-48  | 0,73       |
| ER 3 - 1/2   | 94071231SS       | 94071232SS       | -                | 1/2"x5/16" | 55  | 60  | -   | M10 | 23-44  | 30-37  | -      | 0,81       |
| ER 4 - 1/2   | -                | -                | 94071243SS       | 1/2"x5/16" | -   | -   | 80  | M12 | -      | -      | 41-51  | 2,50       |
| ER 4 - 5/8   | 94071541SS       | 94071542SS       | 94071543SS       | 5/8"x3/8"  | 80  | 80  | 80  | M12 | 27-65  | 36-57  | 43-50  | 2,28       |
| ER 4 - 3/4   | 94071941SS       | 94071942SS       | -                | 3/4"x7/16" | 80  | 80  | -   | M12 | 27-65  | 37-56  | -      | 2,46       |
| ER 5 - 5/8   | -                | -                | 94071553SS       | 5/8"x3/8"  | -   | -   | 120 | M20 | -      | -      | 56-84  | 5,00       |
| ER 5 - 3/4   | 94071951SS       | 94071952SS       | 94071953SS       | 3/4"x7/16" | 100 | 120 | 120 | M20 | 40-80  | 50-90  | 59-80  | 4,61       |
| ER 5 - 1     | 94072551SS       | 94072552SS       | -                | 1"x17 mm   | 100 | 120 | -   | M20 | 40-80  | 55-84  | -      | 5,43       |
| ER 6 - 1     | -                | -                | 94072563SS       | 1"x17 mm   | -   | -   | 160 | M20 | -      | -      | 74-108 | 9,50       |
| ER 6 - 1 1/4 | 94073161SS       | 94073162SS       | 94073163SS       | 1"1/4x3/4" | 100 | 140 | 160 | M20 | 40-80  | 60-120 | 78-105 | 9,28       |
| ER 6 - 1 1/2 | 94073861SS       | 94073862SS       | 94073863SS       | 1"1/2x1"   | 140 | 140 | 180 | M20 | 40-120 | 65-97  | 90-111 | 9,33       |
| ER 2 - 3/8   | 94070921MFSS     | 94070922MFSS     | -                | 3/8x7/32"  | 55  | 55  | -   | M10 | 22-43  | 27-39  | -      | 0,48       |
| ER 3 - 3/8   | 94070931MFSS     | 94070932MFSS     | 94070933MFSS     | 3/8x7/32"  | 55  | 60  | 70  | M10 | 23-43  | 28-39  | 33-48  | 0,73       |
| ER 3 - 1/2   | 94071231MFSS     | 94071232MFSS     | -                | 1/2"x5/16" | 55  | 60  | -   | M10 | 23-44  | 30-37  | -      | 0,81       |
| ER 4 - 1/2   | -                | -                | 94071243MFSS     | 1/2"x5/16" | -   | -   | 80  | M12 | -      | -      | 41-51  | 2,50       |
| ER 4 - 5/8   | 94071541MFSS     | 94071542MFSS     | 94071543MFSS     | 5/8"x3/8"  | 80  | 80  | 80  | M12 | 27-65  | 36-57  | 43-50  | 2,28       |
| ER 4 - 3/4   | 94071941MFSS     | 94071942MFSS     | -                | 3/4"x7/16" | 80  | 80  | -   | M12 | 27-65  | 37-56  | -      | 2,46       |
| ER 5 - 5/8   | -                | -                | 94071553MFSS     | 5/8"x3/8"  | -   | -   | 120 | M20 | -      | -      | 56-84  | 5,00       |
| ER 5 - 3/4   | 94071951MFSS     | 94071952MFSS     | 94071953MFSS     | 3/4"x7/16" | 100 | 120 | 120 | M20 | 40-80  | 50-90  | 59-80  | 4,61       |
| ER 5 - 1     | 94072551MFSS     | 94072552MFSS     | -                | 1"x17 mm   | 100 | 120 | -   | M20 | 40-80  | 55-84  | -      | 5,43       |
| ER 6 - 1     | -                | -                | 94072563MFSS     | 1"x17 mm   | -   | -   | 160 | M20 | -      | -      | 74-108 | 9,50       |
| ER 6 - 1 1/4 | 94073161MFSS     | 94073162MFSS     | 94073163MFSS     | 1"1/4x3/4" | 100 | 140 | 160 | M20 | 40-80  | 60-120 | 78-105 | 9,28       |
| ER 6 - 1 1/2 | 94073861MFSS     | 94073862MFSS     | 94073863MFSS     | 1"1/2x1"   | 140 | 140 | 180 | M20 | 40-120 | 65-97  | 90-111 | 9,33       |

FRONT SET UP



**ON DEMAND AVAILABLE  
IN STAINLESS STEEL AISI 316**

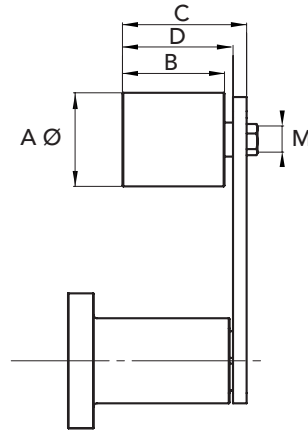
CAD drawings available on our site  
[www.chiaravalli.com](http://www.chiaravalli.com)

**Quantity, availability  
and prices on B2B Chiaravalli**



- Stainless steel AISI 304 Tensioner E with stainless steel AISI 304 belt tensioner roller RU
- Flexible rubber items
- Supplied with set up bolts made of stainless steel AISI 304

**\* ON DEMAND  
AVAILABLE WITH FRONT SET UP**



| TYPE          | P. NUMBER<br>STAINLESS | P. NUMBER<br>POLYAMIDE | A Ø | B   | C   | D   | M   | WEIGHT Kg.<br>STEEL | WEIGHT Kg.<br>PA |
|---------------|------------------------|------------------------|-----|-----|-----|-----|-----|---------------------|------------------|
| ERU 1 - 3035  | 94073521SS             | 94073511SS             | 30  | 35  | 51  | 43  | M8  | 0,33                | 0,25             |
| ERU 2 - 4045  | 94074522SS             | 94074512SS             | 40  | 45  | 67  | 56  | M10 | 0,68                | 0,53             |
| ERU 2 - 5050  | 94075022SS             | 94075012SS             | 50  | 50  | 69  | 58  | M12 | 0,95                | 0,58             |
| ERU 3 - 4045  | 94074523SS             | 94074513SS             | 40  | 45  | 67  | 57  | M10 | 0,93                | 0,78             |
| ERU 3 - 5050  | 94075023SS             | 94075013SS             | 50  | 50  | 69  | 59  | M12 | 1,20                | 0,83             |
| ERU 4 - 6060  | 94076024SS             | 94076014SS             | 60  | 60  | 89  | 76  | M12 | 2,98                | 2,24             |
| ERU 5 - 8090  | 94078025SS             | 94078015SS             | 80  | 90  | 127 | 109 | M20 | 6,50                | 4,40             |
| ERU 6 - 90135 | -                      | 94079016SS             | 90  | 135 | 169 | 154 | M20 | -                   | 7,60             |
| ERU 1 - 3035  | 94073521MFSS           | 94073511MFSS           | 30  | 35  | 51  | 43  | M8  | 0,33                | 0,25             |
| ERU 2 - 4045  | 94074522MFSS           | 94074512MFSS           | 40  | 45  | 67  | 56  | M10 | 0,68                | 0,53             |
| ERU 2 - 5050  | 94075022MFSS           | 94075012MFSS           | 50  | 50  | 69  | 58  | M12 | 0,95                | 0,58             |
| ERU 3 - 4045  | 94074523MFSS           | 94074513MFSS           | 40  | 45  | 67  | 57  | M10 | 0,93                | 0,78             |
| ERU 3 - 5050  | 94075023MFSS           | 94075013MFSS           | 50  | 50  | 69  | 59  | M12 | 1,20                | 0,83             |
| ERU 4 - 6060  | 94076024MFSS           | 94076014MFSS           | 60  | 60  | 89  | 76  | M12 | 2,98                | 2,24             |
| ERU 5 - 8090  | 94078025MFSS           | 94078015MFSS           | 80  | 90  | 127 | 109 | M20 | 6,50                | 4,40             |
| ERU 6 - 90135 | -                      | 94079016MFSS           | 90  | 135 | 169 | 154 | M20 | -                   | 7,60             |



ROLLER MATERIAL: POLYAMIDE (PA)  
STAINLESS STEEL AISI 304 (AC)

**ON DEMAND AVAILABLE  
IN STAINLESS STEEL AISI 316**

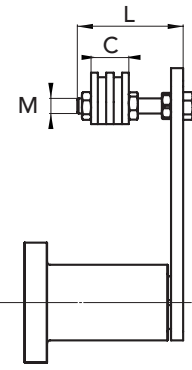
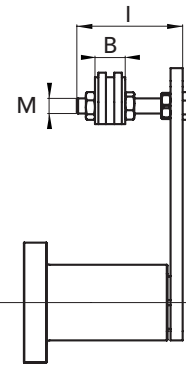
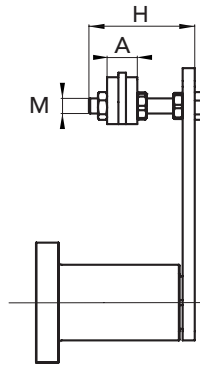
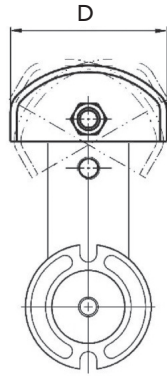
CAD drawings available on our site  
[www.chiaravalli.com](http://www.chiaravalli.com)

**Quantity, availability  
and prices on B2B Chiaravalli**



- Stainless steel AISI 304 Tensioner E with sliding block chain tensioner in polyethylene UHMW high molecular mass (1.000.000) material
- Available in other colors
- Provided with bushing kit allowing the free movement of the sliding block
- Flexible rubber items
- Available with sliding blocks type GA and GO. For sizes see page 32
- Supplied with set up bolts made of stainless steel AISI 304

**\* ON DEMAND  
AVAILABLE WITH FRONT SET UP**



Simple B1

Double B2

Triple B3

ROTATING TENSIONER CHT - EGE

| TYPE          | P. NUMBER SIMPLE | P. NUMBER DOUBLE | P. NUMBER TRIPLE | Step Chain   | A  | B  | C   | D                    | H   | I   | L   | M   | WEIGHT Kg. |
|---------------|------------------|------------------|------------------|--------------|----|----|-----|----------------------|-----|-----|-----|-----|------------|
| EGE 1 - 3/8   | 94070901SS       | 94070902SS       | -                | 3/8 X 7/32"  | 20 | 20 | -   | 68 <sup>-0/+2</sup>  | 45  | 45  | -   | M8  | 0,30       |
| EGE 2 - 3/8   | -                | -                | 94070903SS       | 3/8 X 7/32"  | -  | -  | 25  | 68 <sup>-0/+2</sup>  | -   | -   | 45  | M10 | 0,50       |
| EGE 2 - 1/2   | 94071201SS       | 94071202SS       | -                | 1/2" X 5/16" | 20 | 20 | -   | 68 <sup>-0/+2</sup>  | 55  | 55  | -   | M10 | 0,50       |
| EGE 3 - 1/2   | 94071211SS       | 94071212SS       | 94071213SS       | 1/2" X 5/16" | 20 | 20 | 35  | 68 <sup>-0/+2</sup>  | 55  | 60  | 70  | M10 | 0,75       |
| EGE 3 - 5/8   | 94071501SS       | 94071502SS       | -                | 5/8" X 3/8"  | 20 | 25 | -   | 88 <sup>-0/+2</sup>  | 55  | 70  | -   | M10 | 0,78       |
| EGE 3 - 3/4   | 94071901SS       | 94071902SS       | -                | 3/4" X 7/16" | 20 | 30 | -   | 88 <sup>-0/+2</sup>  | 60  | 70  | -   | M10 | 0,80       |
| EGE 4 - 5/8   | -                | -                | 94071503SS       | 5/8" X 3/8"  | -  | -  | 40  | 88 <sup>-0/+2</sup>  | -   | -   | 100 | M12 | 2,10       |
| EGE 4 - 3/4   | 94071911SS       | 94071912SS       | 94071913SS       | 3/4" X 7/16" | 20 | 30 | 49  | 88 <sup>-0/+2</sup>  | 80  | 80  | 100 | M12 | 2,10       |
| EGE 4 - 1     | 94072501SS       | 94072502SS       | 94072503SS       | 1" X 17 mm   | 20 | 45 | 78  | 108 <sup>-0/+2</sup> | 80  | 90  | 100 | M12 | 2,20       |
| EGE 5 - 1     | -                | 94072512SS       | 94072513SS       | 1" X 17 mm   | -  | 45 | 78  | 108 <sup>-0/+2</sup> | -   | 100 | 120 | M20 | 4,00       |
| EGE 5 - 1 1/4 | 94073101SS       | 94073102SS       | 94073103SS       | 1"1/4 x 3/4" | 20 | 54 | 90  | 108 <sup>-0/+2</sup> | 100 | 120 | 130 | M20 | 4,20       |
| EGE 5 - 1 1/2 | 94073801SS       | 94073802SS       | 94073803SS       | 1"1/2 x 1"   | 20 | 71 | 119 | 108 <sup>-0/+2</sup> | 100 | 120 | 130 | M20 | 4,20       |
| EGE 1 - 3/8   | 94070901MFSS     | 94070902MFSS     | -                | 3/8 X 7/32"  | 20 | 20 | -   | 68 <sup>-0/+2</sup>  | 45  | 45  | -   | M8  | 0,30       |
| EGE 2 - 3/8   | -                | -                | 94070903MFSS     | 3/8 X 7/32"  | -  | -  | 25  | 68 <sup>-0/+2</sup>  | -   | -   | 45  | M10 | 0,50       |
| EGE 2 - 1/2   | 94071201MFSS     | 94071202MFSS     | -                | 1/2" X 5/16" | 20 | 20 | -   | 68 <sup>-0/+2</sup>  | 55  | 55  | -   | M10 | 0,50       |
| EGE 3 - 1/2   | 94071211MFSS     | 94071212MFSS     | 94071213MFSS     | 1/2" X 5/16" | 20 | 20 | 35  | 68 <sup>-0/+2</sup>  | 55  | 60  | 70  | M10 | 0,75       |
| EGE 3 - 5/8   | 94071501MFSS     | 94071502MFSS     | -                | 5/8" X 3/8"  | 20 | 25 | -   | 88 <sup>-0/+2</sup>  | 55  | 70  | -   | M10 | 0,78       |
| EGE 3 - 3/4   | 94071901MFSS     | 94071902MFSS     | -                | 3/4" X 7/16" | 20 | 30 | -   | 88 <sup>-0/+2</sup>  | 60  | 70  | -   | M10 | 0,80       |
| EGE 4 - 5/8   | -                | -                | 94071503MFSS     | 5/8" X 3/8"  | -  | -  | 40  | 88 <sup>-0/+2</sup>  | -   | -   | 100 | M12 | 2,10       |
| EGE 4 - 3/4   | 94071911MFSS     | 94071912MFSS     | 94071913MFSS     | 3/4" X 7/16" | 20 | 30 | 49  | 88 <sup>-0/+2</sup>  | 80  | 80  | 100 | M12 | 2,10       |
| EGE 4 - 1     | 94072501MFSS     | 94072502MFSS     | 94072503MFSS     | 1" X 17 mm   | 20 | 45 | 78  | 108 <sup>-0/+2</sup> | 80  | 90  | 100 | M12 | 2,20       |
| EGE 5 - 1     | -                | 94072512MFSS     | 94072513MFSS     | 1" X 17 mm   | -  | 45 | 78  | 108 <sup>-0/+2</sup> | -   | 100 | 120 | M20 | 4,00       |
| EGE 5 - 1 1/4 | 94073101MFSS     | 94073102MFSS     | 94073103MFSS     | 1"1/4 x 3/4" | 20 | 54 | 90  | 108 <sup>-0/+2</sup> | 100 | 120 | 130 | M20 | 4,20       |
| EGE 5 - 1 1/2 | 94073801MFSS     | 94073802MFSS     | 94073803MFSS     | 1"1/2 x 1"   | 20 | 71 | 119 | 108 <sup>-0/+2</sup> | 100 | 120 | 130 | M20 | 4,20       |

FRONT SET UP



**ON DEMAND AVAILABLE  
IN STAINLESS STEEL AISI 316**

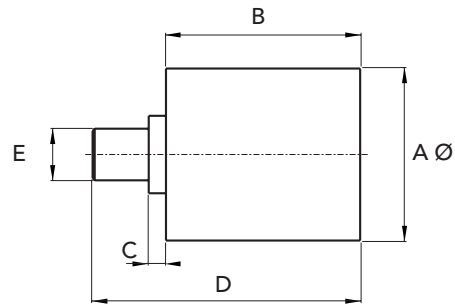
CAD drawings available on our site  
[www.chiaravalli.com](http://www.chiaravalli.com)

**Quantity, availability  
and prices on B2B Chiaravalli**

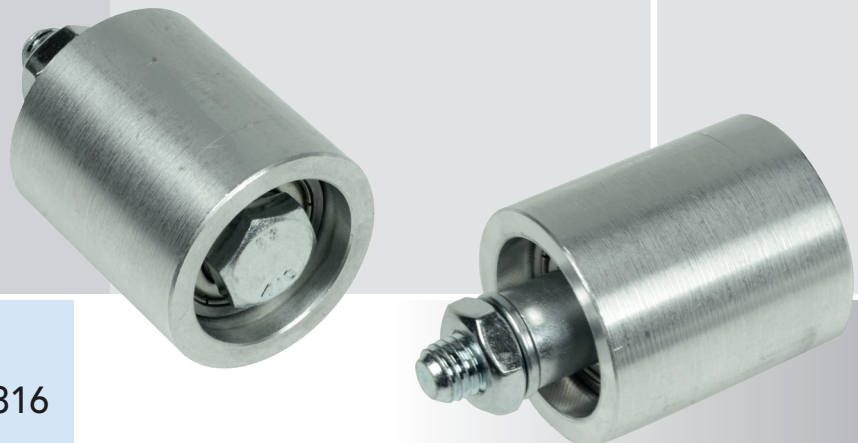




- Belt tensioner roller including bearings and assembling parts everything made of stainless steel AISI 304
- Polyamide belt tensioner RU including bearings and assembling parts made of stainless steel AISI 304



| TYPE     | P. NUMBER<br>STAINLESS | P. NUMBER<br>POLYAMIDE | A Ø | B   | C   | D   | E   | WEIGHT Kg.<br>STAINLESS | WEIGHT Kg.<br>PA |
|----------|------------------------|------------------------|-----|-----|-----|-----|-----|-------------------------|------------------|
| RU 3035  | 9403035SS              | 94040135SS             | 30  | 35  | 2   | 51  | M8  | 0,15                    | 0,07             |
| RU 4045  | 9404045SS              | 94040145SS             | 40  | 45  | 6   | 67  | M10 | 0,33                    | 0,18             |
| RU 5050  | 9405050SS              | 94040150SS             | 50  | 50  | 2,5 | 70  | M12 | 0,60                    | 0,23             |
| RU 6060  | 9406060SS              | -                      | 60  | 60  | 2,5 | 80  | M12 | 1,08                    | -                |
| RU 6060  | -                      | 94040160SS             | 60  | 60  | 8   | 85  | M12 | -                       | 0,34             |
| RU 8080  | 9408080SS              | 94040180SS             | 80  | 80  | 2,5 | 100 | M12 | 2,70                    | 0,60             |
| RU 8090  | 9409090SS              | 94040190SS             | 80  | 90  | 8,5 | 125 | M20 | -                       | 1,10             |
| RU 90135 | 94090135SS             | 94040135SS             | 90  | 135 | 8,5 | 170 | M20 | -                       | 1,70             |



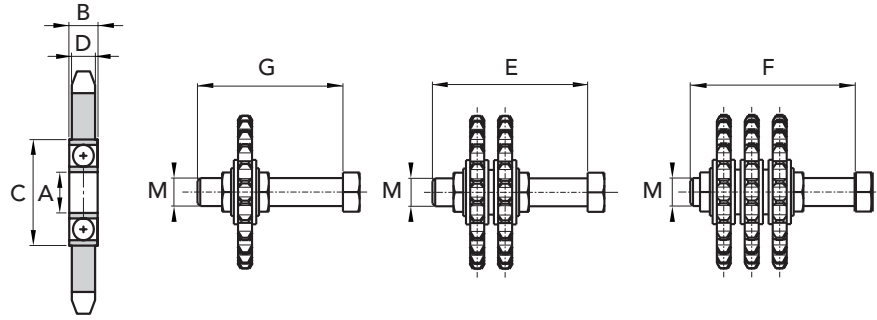
**ON DEMAND AVAILABLE  
IN STAINLESS STEEL AISI 316**

CAD drawings available on our site  
[www.chiaravalli.com](http://www.chiaravalli.com)

Quantity, availability  
and prices on B2B Chiaravalli



Chain tensioner sprockets including self-lubricating ball-bearings 2Z and accessories for the assembling all parts made of stainless steel AISI 304



CHAIN TENSIONER SPROCKETS CHT - R

| TYPE | P. NUMBER SIMPLE | P. NUMBER DOUBLE | P. NUMBER TRIPLE | Step Chain | Z Teeth | A  | B  | C  | D h14 | M   | G   | E   | F   |
|------|------------------|------------------|------------------|------------|---------|----|----|----|-------|-----|-----|-----|-----|
| R    | 94060911SS       | 94060912SS       | -                | 3/8"       | 15      | 10 | 8  | 26 | 5,3   | M10 | 55  | 55  | -   |
| R    | 94060901SS       | 94060902SS       | 94060903SS       | 3/8"       | 15      | 12 | 8  | 28 | 5,3   | M12 | 60  | 60  | 80  |
| R    | 94061201SS       | 94061202SS       | 94061203SS       | 1/2"       | 15      | 12 | 10 | 32 | 7,2   | M12 | 60  | 60  | 80  |
| R    | 94061211SS       | 94061212SS       | -                | 1/2"       | 15      | 10 | 9  | 30 | 7,2   | M10 | 55  | 60  | -   |
| R    | 94061501SS       | 94061502SS       | 94061503SS       | 5/8"       | 15      | 12 | 10 | 32 | 9,1   | M12 | 80  | 80  | 80  |
| R    | -                | -                | 94061523SS       | 5/8"       | 15      | 20 | 12 | 42 | 9,1   | M20 | -   | -   | 120 |
| R    | 94061901SS       | 94061902SS       | 94061903SS       | 3/4"       | 15      | 12 | 12 | 37 | 11,1  | M12 | 80  | 80  | 100 |
| R    | 94061921SS       | 94061922SS       | 94061923SS       | 3/4"       | 15      | 20 | 14 | 47 | 11,1  | M20 | 100 | 120 | 120 |
| R    | 94062501SS       | 94062502SS       | -                | 1"         | 12      | 12 | 12 | 37 | 16,2  | M12 | 100 | 100 | -   |
| R    | 94062521SS       | 94062522SS       | 94062523SS       | 1"         | 12      | 20 | 15 | 47 | 16,2  | M20 | 100 | 120 | 160 |
| R    | 94063121SS       | 94063122SS       | 94063123SS       | 1"1/4      | 13      | 20 | 15 | 52 | 18,5  | M20 | 100 | 140 | 160 |
| R    | 94063821SS       | 94063822SS       | 94063823SS       | 1"1/2      | 11      | 20 | 15 | 52 | 24,1  | M20 | 140 | 140 | 180 |

| TYPE | P. NUMBER SIMPLE | WEIGHT Kg. SIMPLE | P. NUMBER DOUBLE | WEIGHT Kg. DOUBLE | P. NUMBER TRIPLE | WEIGHT Kg. TRIPLE |
|------|------------------|-------------------|------------------|-------------------|------------------|-------------------|
| R    | 94060911SS       | 0,15              | 94060912SS       | 0,23              | -                | -                 |
| R    | 94060901SS       | 0,13              | 94060902SS       | 0,21              | 94060903SS       | 0,26              |
| R    | 94061201SS       | 0,18              | 94061202SS       | 0,35              | 94061203SS       | 0,50              |
| R    | 94061211SS       | 0,20              | 94061212SS       | 0,37              | -                | -                 |
| R    | 94061501SS       | 0,35              | 94061502SS       | 0,60              | 94061503SS       | 0,95              |
| R    | -                | -                 | -                | -                 | 94061523SS       | 1,30              |
| R    | 94061901SS       | 0,55              | 94061902SS       | 1,00              | 94061903SS       | 1,40              |
| R    | 94061921SS       | 0,85              | 94061922SS       | 1,35              | 94061923SS       | 1,60              |
| R    | 94062501SS       | 0,90              | 94062502SS       | 1,70              | -                | 2,50              |
| R    | 94062521SS       | 1,00              | 94062522SS       | 1,90              | 94062523SS       | 2,70              |
| R    | 94063121SS       | 2,00              | 94063122SS       | 3,60              | 94063123SS       | 5,20              |
| R    | 94063821SS       | 2,35              | 94063822SS       | 4,00              | 94063823SS       | 5,80              |

**ON DEMAND AVAILABLE  
IN STAINLESS STEEL AISI 316**

CAD drawings available on our site  
[www.chiaravalli.com](http://www.chiaravalli.com)

**Quantity, availability  
and prices on B2B Chiaravalli**





# The MANUFACTURER distributor



## **B2B**

*Chiaravalli Group SpA  
E-commerce service*

## **FAST TRACK**

*Daily Shipments  
by air*



## **PRIORITY TRUCK SERVICE**

*Truck priority Shipments*

## **ADVANCED SHIPPING**

*Thirty hours Shipments  
by air or truck*



## **YOUR SINGLE NEED IS OUR PRIORITY**





## GENERAL SALES CONDITIONS

**1) ORDERS** - Orders for special and standard material must always refer to offers made by CHIARAVALLI GROUP SpA.

The orders are binding for the client. Once work has commenced no cancellations or order reductions will be accepted unless the client reimburses the costs of the material and the work carried out up to the moment in which the order was suspended.

The quantity despatched can vary by  $\pm 5\%$  compared to the quantity ordered.

**2) PRICES** - The prices are those in force at the date of order.

All prices are for goods delivered ex-works Premezzo, packing excluded. If there should be any increase in production and material costs over the duration of the supply, CHIARAVALLI GROUP SpA reserves the right to adapt the prices accordingly, even for orders in course.

**3) TERMS OF DELIVERY** - Only the terms of delivery indicated by CHIARAVALLI GROUP SpA are to be considered valid. However, they must only be considered as indicative. In the event of difficulty in the procurement of materials, strikes or in any event in all cases of force majeure, the terms of delivery will be automatically extended without CHIARAVALLI GROUP SpA having to pay any reimbursement for damages. The client is obligated to collect special material ordered when ready.

**4) DELIVERIES** - Deliveries are the responsibility of the purchaser and are carried out at his own risk and peril. Any claims for shortages must be presented within 8 days of receipt of the goods. If it is agreed that the cost of transport is to be paid, even if only in part, by CHIARAVALLI GROUP SpA, the latter reserves the right to choose the most economical means of transport.

**5) PACKING** - Packing will be invoiced at cost.

**6) RETURNS** - No returns for any reason will be accepted unless previously authorised and with packing, any customs clearance and the return paid for by the purchaser. To cover warehouse and administrative expenses a debit note will be issued for approx. 15% of the value of the goods returned.

**7) WARRANTY** - CHIARAVALLI GROUP SpA promises to repair or substitute free of charge any parts that they recognise as being defective. The questioned goods must be returned to the factory of CHIARAVALLI GROUP SpA, free of all expenses. The warranty will be considered cancelled in the event that the parts returned as defective have been repaired or tampered with. The repair of defective parts carried out by the purchaser will only be accepted after authorisation from CHIARAVALLI GROUP SpA and after their approval of the cost estimate. CHIARAVALLI GROUP SpA does not accept responsibility or pay any reimbursement for damages that occur during the use of their products, even if defective. Warranty is excluded for leakage of lubricant caused by wear of the oil seals.

**8) RESPONSIBILITY** - CHIARAVALLI GROUP SpA does not accept responsibility or pay any reimbursement for damages that occur during the use of their products, even if defective. CHIARAVALLI GROUP SpA declines all responsibility in the execution of parts to a client's design under any patents.

**9) PAYMENTS** - Only payments carried out in the manner and terms agreed will be considered valid. Once the due date of payment has passed, CHIARAVALLI GROUP SpA will calculate the interest on delayed payment at a rate that is 3% higher than the legal one, retaining the right to demand payment. In the event of delayed or missing payment by the purchaser, the company CHIARAVALLI GROUP SpA reserves the right to suspend deliveries of the orders in course or to demand advance payment without having to pay any reimbursement or compensation to the purchaser. Any dispute regarding materials in manufacture or already possessed by the purchaser does not free the latter from the commitment of making the payment by the agreed date and for the whole amount of the invoice without making any deductions.

**10) OWNERSHIP** - All of the goods despatched remain the property of CHIARAVALLI GROUP SpA until the invoice is fully paid.

**11) COMPETENT COURT** - Any controversy concerning business relations with CHIARAVALLI GROUP SpA will be dealt with under the jurisdiction of the Court of Busto Arsizio. Chiaravalli Group SpA accepts no responsibility for any errors in the production of this catalogue and reserves the right to add to the designs or dimensions of the listed products any modification called for by manufacturing requirements or due to evolution of the product.



**CHIARAVALLI Cz a.s.**  
Průmyslová 2083  
59401 Velké Meziříčí  
Česká republika  
Tel. +420 566 502 030  
www.chiaravalli.cz



**CHIARAVALLI POLSKA Sp. z o. o.**  
ul. Polna 133  
87 - 100 Toruń  
Polska  
Tel. + 48 56 623 30 00  
www.chiaravalli.pl



Via per Cedrate, 476  
21044 Cavarina con Premezzo (VA)  
Italy  
Tel. +39 0331 214 511  
Fax +39 0331 218 175  
[www.chiaravalli.com](http://www.chiaravalli.com)  
chiaravalli@chiaravalli.com



Localizzazione satellitare: coordinate N 45° 41.394 · E8° 48.726