



# CONTRAST, COLOR, LUMINESCENCE, FORK, ARRAY AND GLARE SENSORS

PRODUCTS AT A GLANCE

Contrast, color, luminescence, fork, array and glare sensors

**SICK**  
Sensor Intelligence.



OPTICAL CHALLENGES – RELIABLE SENSOR SOLUTIONS

## A WIDE VARIETY

The process control details are often not visible to the human eye. Colors, contrasts and glare flash by and the eye cannot detect them.

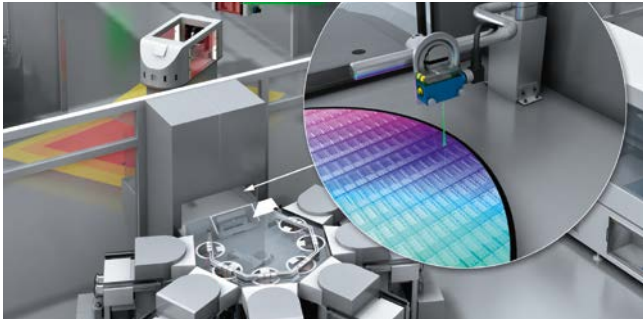
However, nothing escapes SICK sensors – with a diversified product range, they ensure that the widest range of optical characteristics can be detected safely and reliably. And all of this is possible even when the challenge seems impossible at first.



# DETECTING AND DIFFERENTIATING CONTRASTS

If you need to differentiate between light and dark, various color levels, gray scale values, and contrasts during your processes, then you will always find yourself faced with the challenge of reliable contrast differentiation. In all of these cases, detecting the finest details and smallest deviations is key.

## Examples



Differentiating surface coatings in wafer production.



Detecting registration marks on printing machines.



Detecting print marks on envelope-stuffing or labeling machines.



### Detecting and differentiating contrasts

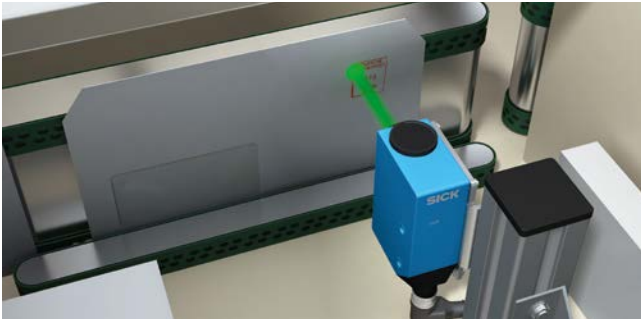
Contrast sensors .....	10
RS10 .....	12



## DETECTING AND DIFFERENTIATING COLORS

Differentiating by color is a complex task and is particularly challenging when the nuances are only slight. Light blue or blue, yellow or orange – something which seems very simplistic to the eye can often cause difficulties in industrial processes. If you have to differentiate or select your process control by color, then you will find yourself faced with the challenge of detecting color.

### Examples



Monitoring stampings.



PSDI control on a packaging machine based on a color element.



Detecting packaging with faulty printing.



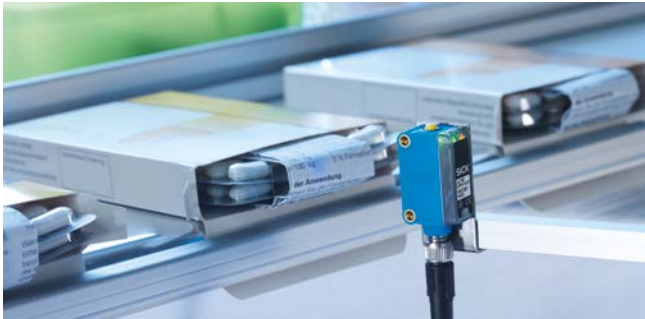
### Detecting and differentiating colors

Color sensors ..... 13

## DETECTING LUMINESCENCE AND INVISIBLE MARKS

Often the human eye does not see what has to be detected and evaluated. The reason for this is markings which are only visible under UV light. Luminescence sensors are crucial if you want to work with or uniquely allocate marks like this and detect specific content in your processes, or if your processes require differentiation regardless of color, pattern, or surface quality.

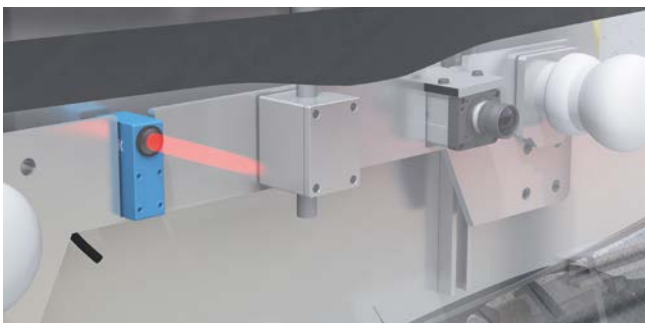
### Examples



Monitoring the placement of packaging inserts in the pharmaceutical industry.



Monitoring glue application in the wood processing industry.



Quality control for front screen in the automotive industry.



### Detecting luminescence and invisible marks

Luminescence sensors ..... 15

## DETECTING OBJECTS AND MANAGING LABELS IN LINE WITH THE THROUGH-BEAM PRINCIPLE

Hitting the mark without the need for extensive preparation is the very definition of precision. However, fork sensors from SICK do not just boast accuracy but also an outstanding array of equipment: senders and receivers are located in the housing, which saves time during alignment.

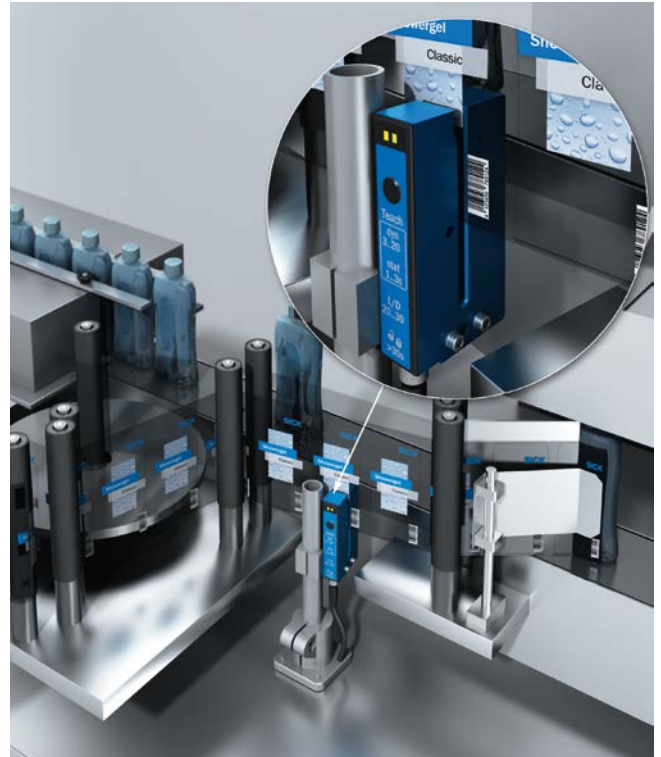
### Examples



The fork sensor WFS is ideal for the detection of non-transparent labels. Thanks to its slim fork design, it is ideal for integration into the machine concept.



Safe object detection with fork sensors from SICK. Whether the light source uses red, infrared or laser light, we have the ideal solution for your application with WFM, WFN, and WFL.



The UFnext ultrasonic fork sensor detects both transparent, opaque, and also printed labels, making it the obvious choice for label detection.

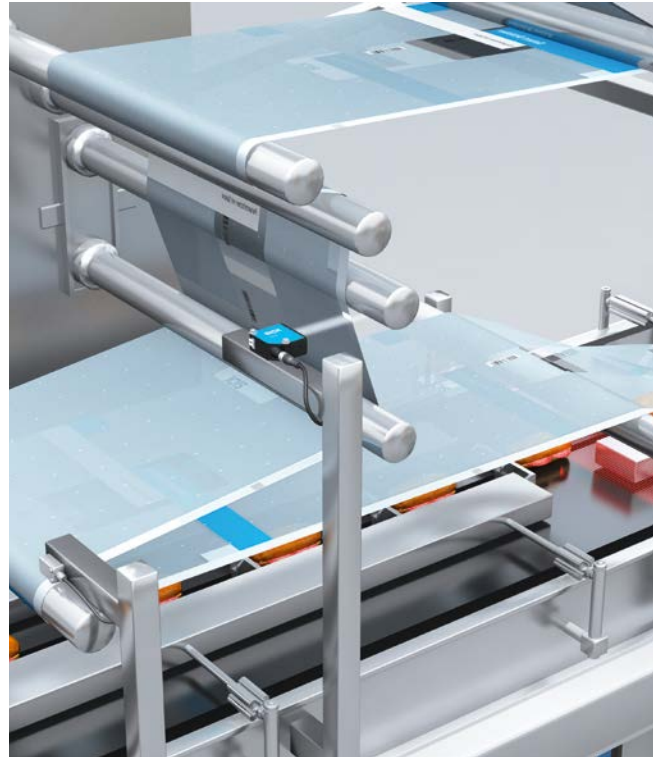
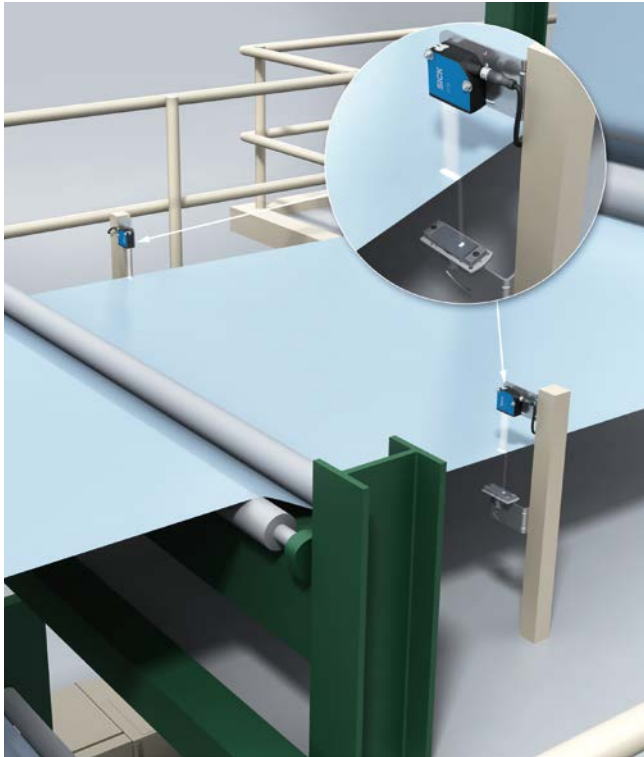




## DETECTING EDGES, LINES, AND DIAMETERS

The array sensor from SICK is the ideal solution for accurate web edge and line tracing. Whether you need to position print marks, control web edges, or monitor unchanging diameters, the Ax20 is the ideal solution with its measuring principle of operation.

### Examples



The Ax20 line sensor is the efficient solution for accurate web edge control, width and diameter detection as well as the detection of small parts. Thanks to its scanning principle, it can be flexibly integrated into the machine concept.



### Detecting edges, lines, and diameters

Array sensor .....	18
--------------------	----

## DETECTING GLARE AND GLARE DIFFERENCES

Detecting glossy surfaces and differentiating them from matte areas is particularly challenging as often the differences in the level of glare are only minimal. However, glare offers unexpected possibilities for controlling processes regardless of color, transparency, or pattern. If you would like to record glare differences, detect reflective objects, or detect non-reflective areas, then you will need to detect glare.

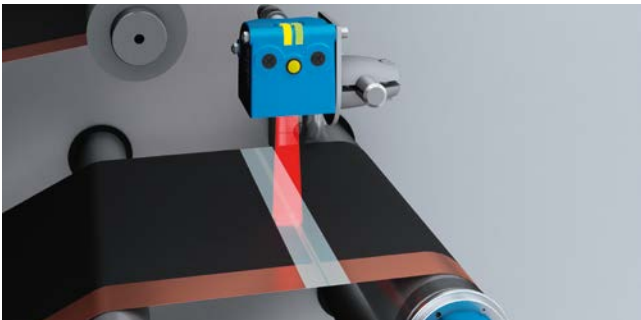
### Examples



Detecting protective packaging.



Detecting authenticity features.



Detecting splice connections in sheets.



### Detecting glare and glare differences




Glare sensors ..... 19





			
	<b>KTL180</b>	<b>KTS Core</b>	<b>KTS Prime</b>
	Safe object detection at high machine speeds	Universal contrast detection in modern housing	Innovative TwinEye-Technology for better contrast detection

Technical data overview				
Dimensions (W x H x D)	10.5 mm x 33.2 mm x 71.9 mm	26 mm x 62 mm x 47,5 mm	26 mm x 62 mm x 47,5 mm	
Sensing distance	0 mm ... 1,400 mm	13 mm	13 mm / 25 mm / 40 mm / 70 mm / 150 mm	
Type of light	LED, white	LED, RGB LED, white	LED, RGB LED, white	
Light spot size	-	1.2 mm x 3.9 mm	0.9 mm ... 12 mm	
Switching frequency	31.2 kHz	4 kHz / 25 kHz / 12.5 kHz	70 kHz / 50 kHz / 25 kHz / 11,5 kHz / 6,25 kHz / 1,5 kHz	
Response time	16 µs	20 µs / 40 µs / 120 µs	3 µs / 10 µs / 20 µs / 42 µs / 80 µs / 320 µs	
Output function	PNP, NPN	PNP, NPN, PUSH/PULL	PNP, NPN, PUSH/PULL	
Teach-in mode	-	1-point teach-in 2-point teach-in teach-in dynamic	n-point, 1-point, 2-point teach-in teach-in dynamic auto-mode	
Connection type	Male connector M8, 4-pin Cable M12 male connector, 5-pin Cable open end, 4-wire	Male connector M12, 4-pin	Male connector M12, 4-pin Male connector M12, 5-pin	
IO-Link	-	-	✓	

At a glance				
	<ul style="list-style-type: none"> <li>• 31.2 kHz switching frequency at a response time of 16 µs</li> <li>• High dynamic range</li> <li>• Multi-functional 7-segment display</li> <li>• Job save for easy format change</li> <li>• 1-point, 2-point and dynamic teach-in</li> <li>• Master-slave function</li> <li>• A wide range of different fibers</li> </ul>	<ul style="list-style-type: none"> <li>• White LED or RGB LED</li> <li>• High gray line resolution</li> <li>• Very large dynamic range means reliable detection of contrasts on glossy materials</li> <li>• 4 kHz switching frequency</li> <li>• Display for easy sensor adjustment</li> <li>• 1-point, 2-point and dynamic teach-in</li> <li>• Manual switching threshold adjustment</li> <li>• Light/dark switching</li> </ul>	<ul style="list-style-type: none"> <li>• TwinEye-Technology for increased depth of field and sensing distance tolerance</li> <li>• 50 kHz switching frequency and 5 µs jitter</li> <li>• Large dynamic range means reliable detection of contrasts on glossy materials</li> <li>• 7-segment display</li> <li>• Color mode</li> <li>• Assembly feedback</li> <li>• IO-Link and automation functions</li> </ul>	
				
Detailed information	<a href="http://www.sick.com/KTL180">→ www.sick.com/KTL180</a>	<a href="http://www.sick.com/KTS_Core">→ www.sick.com/KTS_Core</a>	<a href="http://www.sick.com/KTS_Prime">→ www.sick.com/KTS_Prime</a>	



**KTX Prime**

Contrast detection with TwinEye-Technology in tried-and-tested housing



**KTM Core**

Mini, easy, speedy



**KTM Prime**

Mini, easy, speedy, robust

30 mm x 53 mm x 78.5 mm	12 mm x 31.5 mm x 21 mm	12 mm x 31,5 mm x 21 mm 15.25 mm x 48.6 mm x 22.2 mm
13 mm / 25 mm / 40 mm / 70 mm / 150 mm	12.5 mm	11 mm / 12.5 mm
LED, RGB	LED, white	LED, white LED, RGB Laser, visible red light
0.9 mm ... 12 mm	Ø 1 mm / Ø 2 mm	1,5 mm x 6,5 mm Ø 1 mm / Ø 1.7 mm / Ø 1.8 mm / Ø 2 mm
70 kHz / 50 kHz / 25 kHz / 11.5 kHz / 6.25 kHz	10 kHz	15 kHz / 4 kHz / 1,5 kHz
3 µs / 10 µs / 20 µs / 42 µs / 80 µs	50 µs	0,125 ms / 0,333 ms 32 µs / 35 µs
PNP, NPN, PUSH/PULL	PNP, NPN	PNP, NPN
n-point, 1-point, 2-point teach-in teach-in dynamic auto-mode	-	2-point teach-in static/dynamic + proximity to mark
Male connector M12, 4-pin Male connector M12, 5-pin	Male connector M8, 4-pin Cable with M12 male connector, 4-pin Cable open end, 4-wire	Male connector M8, 4-pin Cable with M12 male connector, 4-pin
✓	-	✓

- TwinEye-Technology for increased depth of field and sensing distance tolerance
- 50 kHz switching frequency and 5 µs jitter
- Large dynamic range means reliable detection of contrasts on glossy materials
- 7-segment display
- Color mode
- Assembly feedback
- IO-Link and automation functions
- Flexible sensor setting thanks to various sensor parameters



→ [www.sick.com/KTX\\_Prime](http://www.sick.com/KTX_Prime)

- Small, tried-and tested housing
- High grayscale resolution
- Very large dynamic range means reliable detection of contrasts on glossy materials
- Switching frequency: 10 kHz
- White light



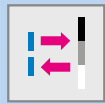
→ [www.sick.com/KTM\\_Core](http://www.sick.com/KTM_Core)

- Small, tried-and-tested housing, also available in stainless steel
- High grayscale resolution
- Very large dynamic range means reliable detection of contrasts on glossy materials
- Static and dynamic teach-in in one variant
- Switching frequency: 15 kHz
- KTM Prime with IO-Link functions



→ [www.sick.com/KTM\\_Prime](http://www.sick.com/KTM_Prime)





**KT8**

Laser contrast sensor



**RS10**

Adjustable individual thresholds

**Technical data overview**

<b>Dimensions (W x H x D)</b>	30.4 mm x 53 mm x 80 mm	15 mm x 62 mm x 60 mm
<b>Sensing distance</b>	150 mm	13 mm
<b>Type of light</b>	Laser, Red	LED, White
<b>Light spot size</b>	∅ 0.3 mm ∅ 3 mm	0.8 mm x 3 mm
<b>Switching frequency</b>	17 kHz	-
<b>Response time</b>	30 µs	≤ 20 µs
<b>Teach-in mode</b>	Static 2-point teach-in, Dynamic teach-in (min/max)	-
<b>Connection type</b>	Male connector M12, 5-pin	Male connector M12, 8-pin
<b>IO-Link</b>	-	-

**At a glance**

- Laser version offers sensing distances of 30 mm to 800 mm
- Very small and precise laser light spot (Class II)
- Fast switching frequency of 17 kHz
- Detection reliability displayed in the bar graph display
- Very precise light spot



- The register is controlled with individual thresholds
- Unique housing: one screw mounting
- Tight dual-sensor mounting ability
- Detects 1-18 marks of different colors
- Easy teach-in via button



Detailed information

→ [www.sick.com/KT8](http://www.sick.com/KT8)

→ [www.sick.com/RS10](http://www.sick.com/RS10)



**CSM**

Mini, easy, smart



**CS8**

High-performance color sensing

**Technical data overview**

<b>Dimensions (W x H x D)</b>	12 mm x 31.5 mm x 21 mm	30.4 mm x 53 mm x 80 mm
<b>Sensing distance</b>	12.5 mm	12.5 mm / 60 mm
<b>Type of light</b>	LED, RGB	LED, RGB
<b>Light spot size</b>	1.5 mm x 6.5 mm	2 mm x 4 mm 13 mm x 13 mm
<b>Switching frequency</b>	1.7 kHz	0.5 kHz / 1 kHz / 3 kHz / 3.5 kHz / 6 kHz
<b>Response time</b>	300 µs	85 µs, 145 µs, 160 µs, 500 µs, 1,000 µs
<b>Output (channel)</b>	1 color / 8 colors via IO-Link	1 color / 4 colors
<b>Teach-in mode</b>	1-point-teach-in	Static 1-point teach-in
<b>Connection type</b>	Cable with male connector Cable	Male connector
<b>IO-Link</b>	✓	-

**At a glance**

- Color sensor in a new miniature housing
- Static and teach-in method for 1 color using control cable or control panel
- Over IO-Link up to 8 colors teachable
- Switching frequency: 1.7 kHz
- Sensing distance: 12.5 mm
- Compatibility with older color sensors thanks to cable with male connector M12



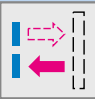


- One (CS8-1) or four (CS8-4) colors can be saved
- 12.5 mm or 60 mm sensing distance
- Fast response time up to 85 µs
- High resolution color
- Bar graph display shows the correlation of the colors
- Extremely precise light spot and high resolution
- Metal housing with two light exits (interchangeable)





Detailed information

→ [www.sick.com/CSM](http://www.sick.com/CSM)

→ [www.sick.com/CS8](http://www.sick.com/CS8)

	 <p style="text-align: center;"><b>LUTM</b></p>	 <p style="text-align: center;"><b>LUT3-6</b></p>	
	Small, intelligent luminescence sensor	The solution for standard applications	

Technical data overview			
Dimensions (W x H x D)	12 mm x 31.5 mm x 21 mm	30.4 mm x 80 mm x 53 mm	
Sensing distance	12.5 mm	10 mm / 20 mm / 50 mm	
Type of light	LED, ultraviolet light	LED, ultraviolet light	
Light spot size	2 mm x 2.5 mm	2 mm x 6 mm 3 mm x 9 mm 5 mm x 15 mm	
Light emission	Long side	Long side	
Switching frequency	6 kHz	1.5 kHz	
Response time	80 µs	350 µs	
Output function	Light/darkswitching	Light switching	
Analog output Q <sub>A</sub>	-	-	
Teach-in mode	2-point teach-in static/dynamic	-	
Connection type	Cable with M12 male connector, 4-pin Male connector M8, 4-pin	Male connector M12, 4-pin	
IO-Link	✓	-	

At a glance		
	<ul style="list-style-type: none"> <li>• Luminescence sensor in a miniature housing</li> <li>• Static and dynamic teach-in methods in a single variant</li> <li>• Reliable detection even at a low level luminescence</li> <li>• Switching frequency: 6 kHz</li> <li>• Operating range: 8 ... 20 mm</li> <li>• IO-Link function</li> <li>• Compatibility with older LUT sensors thanks to cable with male connector M12</li> </ul>	<ul style="list-style-type: none"> <li>• Rugged metal housing</li> <li>• Sensing distance: 10, 20, or 50 mm</li> <li>• Sensing ranges can be selected with interchangeable lenses</li> <li>• Sender LED UV (375 nm)</li> </ul>
		

Detailed information	→ <a href="http://www.sick.com/LUTM">www.sick.com/LUTM</a>	→ <a href="http://www.sick.com/LUT3">www.sick.com/LUT3</a>
----------------------	--	--





**LUT8**

For universal use with easy adjustment



**LUT9**

The new standard for high-performance luminescence sensors

30.4 mm x 53 mm x 80 mm  
10 mm / 20 mm / 50 mm / 90 mm

LED, ultraviolet light

2 mm x 6 mm  
3 mm x 9 mm  
5 mm x 15 mm  
12 mm x 12 mm  
Ø 6 mm

Long side

2.5 kHz

200 µs

Light switching

0 mA ... 13 mA

-

Male connector M12, 5-pin

-

30.4 mm x 53 mm x 80 mm  
10 mm / 20 mm / 50 mm / 90 mm / 150 mm

LED, ultraviolet light  
LED, Blue

2 mm x 6 mm  
3 mm x 9 mm  
5 mm x 12 mm  
5 mm x 15 mm  
12 mm x 12 mm

Long side / long and short side, exchangeable

0.5 kHz / 2.5 kHz / 6.5 kHz

1 ms / 75 µs / 200 µs

0 mA ... 13 mA

Static 2-point teach-in with manual fine adjustment

Male connector M12, 4-pin

Male connector M12, 5-pin

✓

- Tough metal housing
- Simple sensitivity adjustment in 8 stages
- Bar graph display provides information about the luminescence intensity
- Sensing distances selectable through interchangeable lenses
- Additional optical filters suppress background luminescence
- Fiber-optic cable connection (with 20 mm lens)
- Switching and analog output







→ [www.sick.com/LUT8](http://www.sick.com/LUT8)

- Simple teach-in
- Operating range up to 250 mm
- Version with IO-Link for remote monitoring
- Bar graph display provides information about the luminescence intensity
- High speed (6.5 kHz), standard (2.5 kHz), high resolution (500 Hz) models
- Additional optical filters suppress background luminescence
- Fiber-optic cable connection (with 20 mm lens)
- Switching and analog output



→ [www.sick.com/LUT9](http://www.sick.com/LUT9)

			
	<b>WFS</b>	<b>UFnext</b>	<b>WFnext</b>
	Precise detection for optimum label detection	The clear choice for detecting transparent labels	The specialist for high-speed applications

Technical data overview				
<b>Dimensions (W x H x D)</b>	10 mm x 25 mm x 64.3 mm	18 mm x 47,5 mm x 92,5 mm	10 mm x 32 mm x 57 mm ... 10 mm x 150 mm x 110 mm	
<b>Functional principle</b>	Optical detection principle	Ultrasonic detection principle	Optical detection principle	
<b>Fork width</b>	3 mm	3 mm	2 mm ... 225 mm	
<b>Fork depth</b>	42 mm	69 mm	42 mm ... 95 mm	
<b>MDO</b>	Gap between labels: 2 mm Size of labels: 2 mm	Gap between labels: 2 mm Size of labels: 2 mm	0.2 mm	
<b>Light source</b>	LED, Infrared light	-	LED, Infrared light	
<b>Switching frequency</b>	10 kHz / 15 kHz	1.5 kHz	10 kHz / 15 kHz	
<b>Response time</b>	46 µs / 50 µs	250 µs	46 µs / 100 µs	
<b>Output function</b>	Light/darkswitching, selectable via button	Light/darkswitching, selectable via button	Light/darkswitching, selectable via button	
<b>Teach-in mode</b>	1-point teach-in 2-point teach-in dynamic Teach-in	1-point teach-in 2-point teach-in dynamic Teach-in	-	
<b>Connection type</b>	Male connector M8, 4-pin Cable, 4-wire 2 m	Male connector M8, 4-pin	Male connector M8, 4-pin	
<b>IO-Link</b>	✓	-	✓	

**At a glance**

- Housing with slim forked shape
- Simple and precise setting of the switching threshold via IO-Link, teach-in button, or plus/minus buttons
- Light/dark switching function
- Fast response time: 50 µs
- PNP or NPN switching output
- Plastic housing with IP 65 enclosure rating
- Smart sensor with integrated IO-Link interface



- Detection of transparent, opaque or printed labels
- Unaffected by metallic foils and labels
- Fast response time of 250 µs
- Simple and accurate adjustment via “+”/“-”-buttons or teach-in
- Rugged, IP 65 aluminum housing



- Infrared light source
- Simple and accurate adjustment via teach-in or manually via “+”/“-” buttons
- Fast response time (max. 100 µs)
- PNP and NPN switching output
- Light/dark switching function
- 21 different models with different fork widths and depths
- Rugged, IP 65 aluminum housing



Detailed information	→ <a href="http://www.sick.com/WFS">www.sick.com/WFS</a>	→ <a href="http://www.sick.com/UF">www.sick.com/UF</a>	→ <a href="http://www.sick.com/WF">www.sick.com/WF</a>
----------------------	--	--	--



**WFE**

The allrounder among the fork sensors



**WFL**

The perfect sensor for the detection of very small parts and precise positioning



**WFM**

Plug-and-play fork sensors – connect and get started

10 mm x 59.3 mm x 57 mm ... 10 mm x 150 mm x 110 mm	10 mm x 40,5 mm x 47 mm ... 10 mm x 158,5 mm x 110 mm	10 mm x 50 mm x 59,5 mm ... 10 mm x 200 mm x 141,8 mm
Optical detection principle	Optical detection principle	Optical detection principle
2 mm ... 120 mm	2 mm ... 120 mm	30 mm ... 180 mm
42 mm ... 95 mm	42 mm ... 95 mm	42 mm ... 124 mm
0.5 mm	0.05 mm	0.8 mm 1 mm
LED, visible red light	Laser, visible red light	LED, visible red light
5 kHz	10 kHz / 11 kHz	4 kHz
100 µs	60 µs / 100 µs	125 µs
Light/darkswitching	Light/darkswitching, selectable via button	Light/darkswitching
-	1-point teach-in 2-point teach-in dynamic Teach-in	-
Male connector M8, 3-pin Cable, 3-wire	Male connector M8, 4-pin	Male connector M8, 3-pin Cable, 3-wire
-	✓	-

- 5 different fork widths from 30 mm to max. 180 mm
- High switching frequency of 5 kHz
- Minimum detectable object (MDO) of 0.5 mm
- Durable hybrid housing made from ABS with carbon steel frame
- Sensitivity adjustment
- Light/dark switching
- Push-pull output



→ [www.sick.com/WFE](http://www.sick.com/WFE)

- High-precision laser (Class 1)
- Simple and precise setting via teach-in
- Fast response time (max. 100 µs)
- Minimum detectable object size of just 0.05 mm
- PNP and NPN output signal switching device
- Light/dark switching function
- 21 different models with different fork widths and depths
- Rugged, IP 65 aluminum housing



→ [www.sick.com/WFL](http://www.sick.com/WFL)

- Highly visible red emitted light
- No setup, out-of-the-box operation
- 360° output indicator
- 5 fork sizes: maximum depth 120 mm, maximum width 180 mm
- Rugged, IP 67 aluminum housing



→ [www.sick.com/WFM](http://www.sick.com/WFM)






AS30

More flexibility and efficient communication

Technical data overview	
Dimensions (W x H x D)	31 mm x 62 mm x 52.2 mm
Functional principle	Mid/center, position determination, Edge detection
Sensing distance	25 mm / 100 mm
Light source	LED, white
Light spot size	11.1 mm ... 62.5 mm
Switching output	PUSH/PULL
Measuring range	20 mm ... 30 mm 90 mm ... 110 mm
Reproducibility	0.03 mm / 0.05 mm / 0.2 mm
Analog output Q <sub>A</sub>	4 mA ... 20 mA
Connection type	Male connector M12, 5-pin
IO-Link	-

**At a glance**

- Teach-in of selected edges possible
- Full color TFT display
- Various operating modes for different applications
- Core and Prime variant for different fields of application
- Large measuring range of up to 50 mm
- Sensing distance of 25 mm or 100 mm
- Repeatability of up to 30 µm



Detailed information → [www.sick.com/AS30](http://www.sick.com/AS30)



**Glare**

The authority on gloss

**Technical data overview**

<b>Dimensions (W x H x D)</b>	42.5 mm x 44 mm x 43.4 mm
<b>Sensing distance</b>	50 mm
<b>MDO</b>	12 mm x 14 mm
<b>Light source</b>	LED, Red
<b>Light spot size</b>	10 mm x 12 mm
<b>Switching frequency</b>	500 Hz
<b>Response time</b>	1 ms
<b>Teach-in mode</b>	Static 1-point teach-in / Static 2-point teach-in Dynamic 2-point teach-in / Static 3-point teach-in
<b>Connection type</b>	Male connector M12, 5-pin
<b>IO-Link</b>	✓

**At a glance**

- Object detection and differentiation on the basis of surface gloss level
- Configurable in many different operating modes to meet the requirements of any application
- Integrated alignment aid
- Integrated automation functions
- Two digital push-pull outputs and one configurable input
- Sensitivity adjusts to object properties
- IO-Link provides easy data access from the PLC
- Quick and easy configuration



Detailed information

→ [www.sick.com/Glare](http://www.sick.com/Glare)









## REGISTER AT WWW.SICK.COM TO TAKE ADVANTAGE OF OUR FOLLOWING SERVICES FOR YOU

- ✔ Access information on net prices and individual discounts.
- ✔ Easily order online and track your delivery.
- ✔ Check your history of all your orders and quotes.
- ✔ Create, save, and share as many wish lists as you want.
- ✔ Use the direct order to quickly order a big amount of products.
- ✔ Check the status of your orders and quotes and get information on status changes by e-mail.
- ✔ Save time by using past orders.
- ✔ Easily export orders and quotes, suited to your systems.



## SERVICES FOR MACHINES AND PLANTS: SICK LifeTime Services

Our comprehensive and versatile LifeTime Services are the perfect addition to the comprehensive range of products from SICK. The services range from product-independent consulting to traditional product services.



**Consulting and design**  
Safe and professional



**Product and system support**  
Reliable, fast, and on-site



**Verification and optimization**  
Safe and regularly inspected



**Upgrade and retrofits**  
Easy, safe, and economical



**Training and education**  
Practical, focused, and professional

## SICK AT A GLANCE

SICK is a leading manufacturer of intelligent sensors and sensor solutions for industrial applications. With more than 10,000 employees and over 50 subsidiaries and equity investments as well as numerous agencies worldwide, SICK is always close to its customers. A unique range of products and services creates the perfect basis for controlling processes securely and efficiently, protecting individuals from accidents, and preventing damage to the environment.

SICK has extensive experience in various industries and understands their processes and requirements. With intelligent sensors, SICK delivers exactly what the customers need. In application centers in Europe, Asia, and North America, system solutions are tested and optimized in accordance with customer specifications. All this makes SICK a reliable supplier and development partner.

Comprehensive services round out the offering: SICK LifeTime Services provide support throughout the machine life cycle and ensure safety and productivity.

**That is “Sensor Intelligence.”**

### **Worldwide presence:**

Australia, Austria, Belgium, Brazil, Canada, Chile, China, Czech Republic, Denmark, Finland, France, Germany, Great Britain, Hungary, Hong Kong, India, Israel, Italy, Japan, Malaysia, Mexico, Netherlands, New Zealand, Norway, Poland, Romania, Russia, Singapore, Slovakia, Slovenia, South Africa, South Korea, Spain, Sweden, Switzerland, Taiwan, Thailand, Turkey, United Arab Emirates, USA, Vietnam.

Detailed addresses and further locations → [www.sick.com](http://www.sick.com)